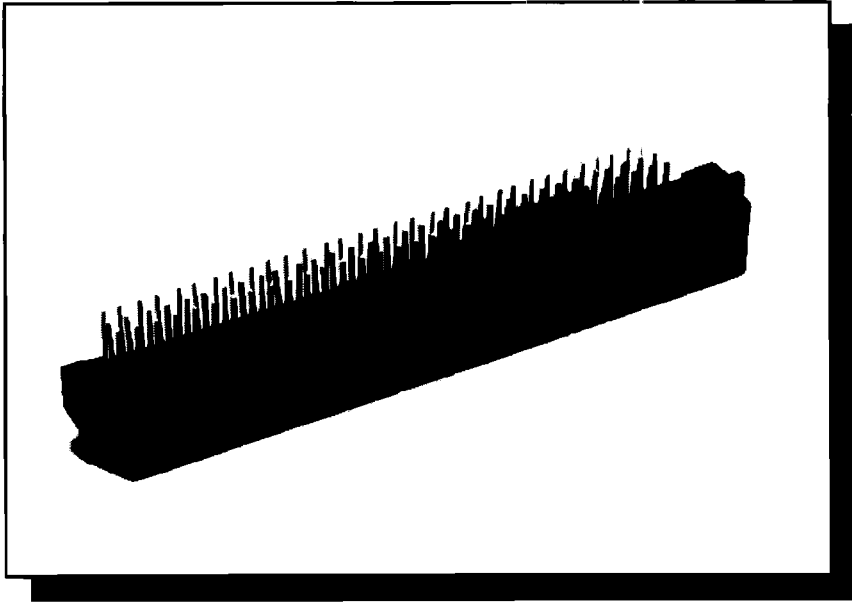


# Male Standard DIN


---



These industry compatible two part printed circuit board connectors comply with DIN 41612 and mate with standard females to provide the daughter board connector.

- Mateable To 43-31XX-X32

## Features

- Complies with DIN 41612
- Industry compatible
- UL Recognized 

## Materials

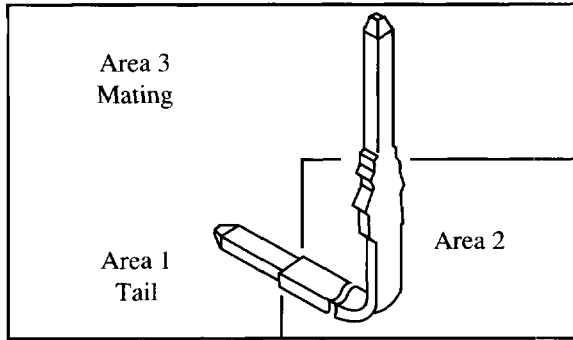
- Insulator:(Black) Glass filled polyester UL94V0
- Contact: Phosphor bronze per Federal Specification QQ-B-750.
- Plating:
  - Nickel per QQ-N-290.
  - Gold per MIL-G-45024 Type 1.
  - Tin per MIL-T-10727 Type 1.

## Performance Characteristics

- Insulator resistance:  $\geq 10^5$  megohms.
- Dielectric withstand:  $\leq 1000$ VRMS, 60Hz at sea level.
- Temperature rating:  $-55^{\circ}\text{C}$  to  $+120^{\circ}\text{C}$ .
- Mating force: 1.8 oz. average per contact.
- Unmating force: 1.0 oz. min per contact.

**Consult Factory for Availability.**

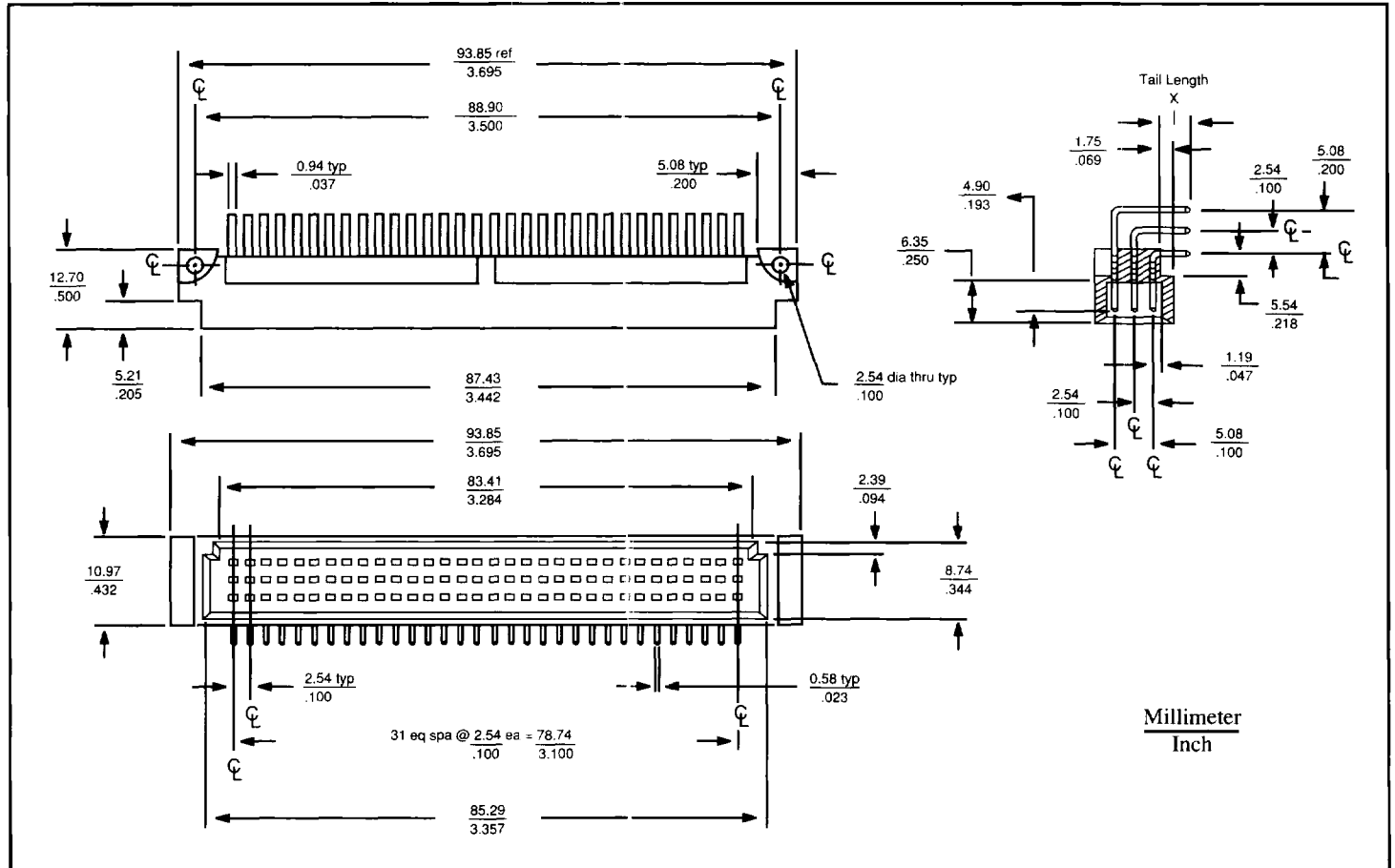
**Contact Plating Locations**



**Plating Codes**

Code	Area 1	Area 2	Area 3
8	100/200 μ" in. 90 tin/10 lead	NICKEL*	20 μ" in. gold
9	100/200 μ" in. 90 tin/10 lead	NICKEL*	30 μ" in. gold

\*50/100 μ" nickel undercoat overall



Millimeter  
Inch

**Part Number**

43	—	9	2	X	0	—	X	32
Din Connector		Series	Type	Rows Loaded	Tail Length "X"		Plating Codes	Contacts/Row
		Standard Male	Right Angle	0 - All 5 - A & C	.109		8 9	32