

ATTENUATORS

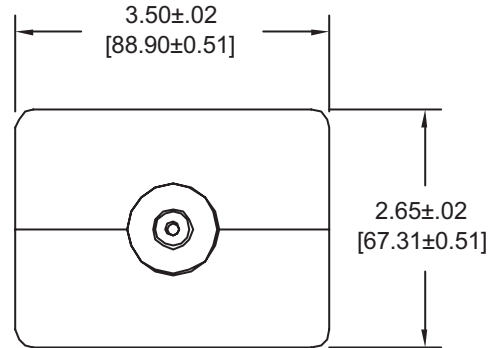
TNC, up to 18 GHz, 50 Watts

SPECIFICATIONS:

Models: XXT50W-XX, XXT50W-XXF & XXT50W-XXM



Electrical:			
Frequency Range	_____	DC - 18.0 GHz	
Standard Freq. Values	_____	2.5, 6, 12.4 & 18 GHz	
Standard dB Values*	_____	3, 6, 10, 20, 30 & 40 dB	
Attenuation Accuracy	DC - 6 GHz	6 - 12.4 GHz	12.4 - 18 GHz
3, & 6 dB	±0.75 dB	±0.75 dB	±0.75 dB
10 & 20 dB	±0.75 dB	±0.75 dB	±1.00 dB
30 dB	±0.75 dB	±1.00 dB	±1.25 dB
40 dB	±1.00 dB	±1.25 dB	±1.50 dB
VSWR			
DC - 6 GHz	_____	1.25:1 Max.	
6 - 12.4 GHz	_____	1.35:1 Max.	
12.4 - 18 GHz	_____	1.45:1 Max.	
Input Power	_____	50 Watts Avg. @ 25°C	
		Derated Linearly to 10 Watts @ +125°C	
Peak Power	_____	500 Watts Max.	
		(5uSec Pulse, .05% Duty Cycle)	
Impedance	_____	50 Ohms	
Operating Temp Range	_____	-65°C to +125°C	
Mechanical:			
TNC Connectors**	_____	Passivated Stainless Steel	
		Mates with MIL-STD-348	
Conductors	_____	Gold Plated Beryllium Copper	
Housing	_____	Anodized Aluminum	
		**TNC Connectors are 18 GHz Mode-Free	



END VIEW
TYPICAL

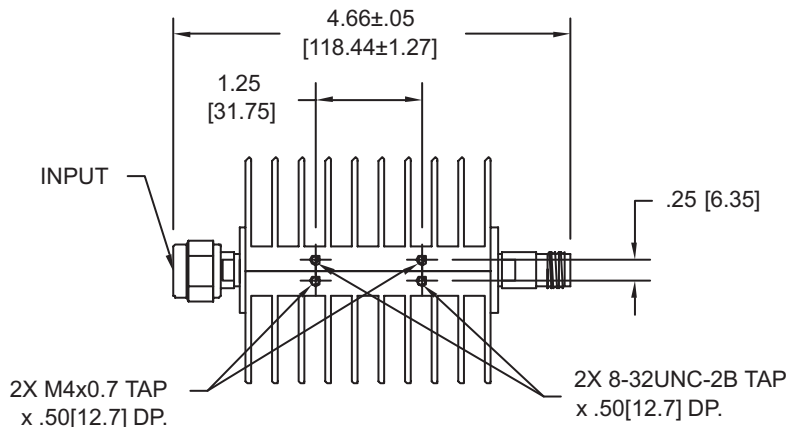
Units must be Mounted in such a way as to Allow for Free Air Flow Around fins to Insure Performance

Note: Units are Unidirectional, Therefore Input Connector MUST be Specified & will be Indicated on Unit

Model Number: **XXT50W-XX**
Male/Female Connectors
Length: 4.66 ±.05 [118.2 ±1.3]
Pictured

Model Number: **XXT50W-XXF**
Female/Female Connectors
Length: 4.75 ±.05 [120.7 ±1.3]

Model Number: **XXT50W-XXM**
Male/Male Connectors
Length: 4.57 ±.05 [116.0 ±1.3]



HOW TO ORDER:

Model Number: **XXT50W-XXY**

Freq. Range 2 = DC - 2.5 GHz 6 = DC - 6 GHz 12 = DC - 12.4 GHz 18 = DC - 18 GHz	Connector Configuration = Male/Female (Male Input) F = Fem/Fem M = Male/Male FM = Female/Male (Female Input)
dB Value	

Ordering Examples:

Model Number: **18T50W-20**
DC - 18 GHz; 20 dB; TNC - Male/Fem (Male Input)

Model Number: **6T50W-03F**
DC - 6 GHz; 3 dB; TNC - Fem/Fem

Model Number: **6T50W-10FM**
DC - 6 GHz; 10 dB; TNC - Fem/Male (Female Input)

Note: Dimensions in Brackets are Expressed in Millimeters and are for Reference Only.

Design specifications are subject to change without notice.

Contact factory for technical specifications before purchasing or use.

XXT50W-XX: REV E

