

**.156" CENTERLINE
RIGHT ANGLE
DIP SOLDER TAILS
.200" ROW-TO-ROW
.150" ROW-TO-ROW**



PHYSICAL PROPERTIES

INSULATION RESISTANCE: 5000 megohms minimum.
INSERTION/WITHDRAWAL FORCE (DAUGHTER CARD): 8 oz./2oz. average contact pair using .0620 steel test blade.
INSULATOR BODY: Glass filled thermoplastic, UL rating 94V-O. High temp. plastic option is available; add suffix M399 to catalog number.
COLOR: Black
CONTACTS: High strength copper alloy.
CONTACT PLATING: 50 microinches nickel underplate with 30 microinches gold in the mating area, tin/lead on tails, 100 microinches minimum

ELECTRICAL PROPERTIES

OPERATION VOLTAGE: 1500 VDC (sea level)
CURRENT RATING: 3 Amperes
INITIAL CONTACT RESISTANCE: 10 milliohms

ENVIRONMENTAL PROPERTIES

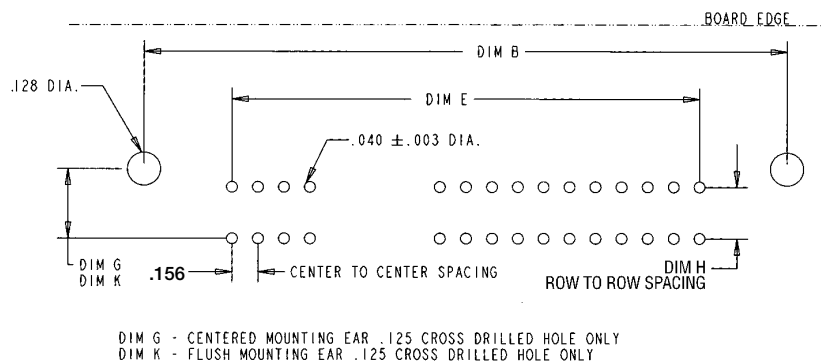
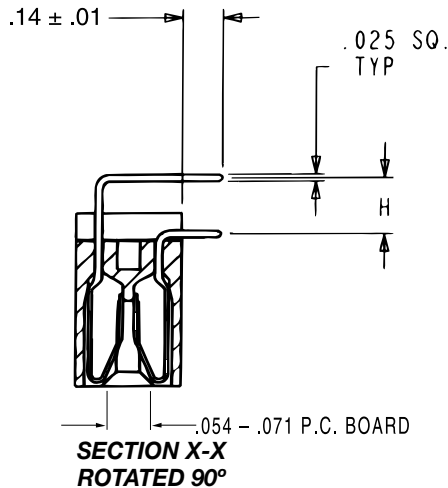
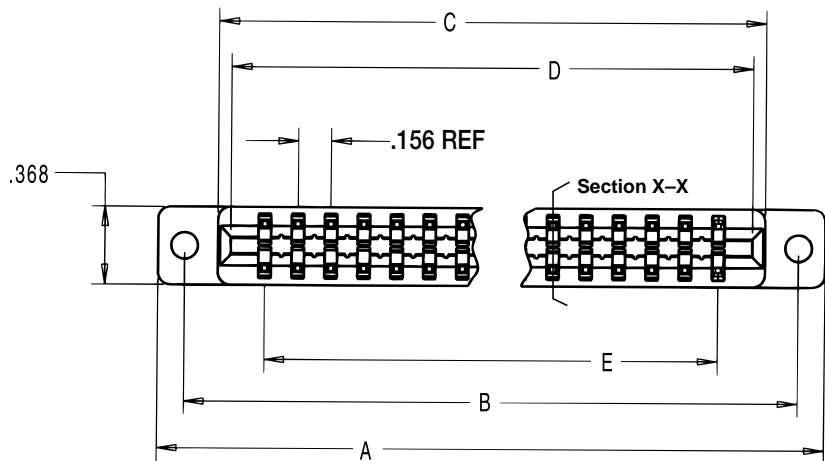
OPERATING TEMPERATURE: -55°C to +125°C
TEMPERATURE CYCLING: MIL-STD-202 method 107
VIBRATION: MIL-STD-202 method 204

ACCESSORIES

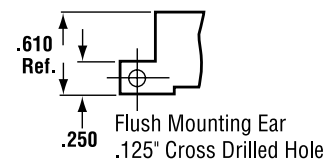
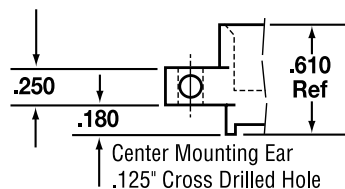
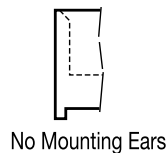
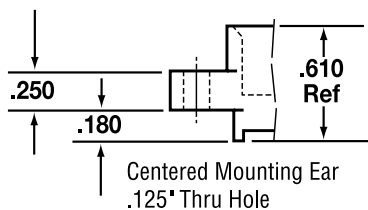
POLARIZATION KEY: Cat. # 98014-01, see page 346

DAUGHTER CARD

See page 347 for layout



Mounting Styles



ORDERING INFORMATION –

.156" CENTERLINE

NO. OF DUAL READOUT POSITIONS	MOUNTING EAR OPTIONS				A	B	C	D	E	CENTERED MOUNTING EAR ONLY G	FLUSH MOUNTING EAR ONLY K
	CENTERED MOUNTING EAR .125" THRU HOLE	NO MOUNTING EARS	CENTERED MOUNTING EAR .125" CROSS-DRILLED HOLE	FLUSH MOUNTING EAR .125" CROSS-DRILLED HOLE							
.200" ROW-TO-ROW (DIM. "H") SPACING											
06	A6D06RA29A	A6D06RA29C	A6D06RA29E	A6D06RA29F	1.784	1.534	1.221	1.100	0.780	0.470	0.290
10	A6D10RA29A	A6D10RA29C	A6D10RA29E	A6D10RA29F	2.408	2.158	1.845	1.724	1.404	0.470	0.290
12	A6D12RA29A	A6D12RA29C	A6D12RA29E	A6D12RA29F	2.720	2.470	2.157	2.036	1.716	0.470	0.290
15	A6D15RA29A	A6D15RA29C	A6D15RA29E	A6D15RA29F	3.188	2.938	2.625	2.504	2.184	0.470	0.290
18	A6D18RA29A	A6D18RA29C	A6D18RA29E	A6D18RA29F	3.656	3.406	3.093	2.972	2.652	0.470	0.290
22	A6D22RA29A	A6D22RA29C	A6D22RA29E	A6D22RA29F	4.280	4.030	3.717	3.596	3.276	0.470	0.290
25	A6D25RA29A	A6D25RA29C	A6D25RA29E	A6D25RA29F	4.748	4.498	4.185	4.064	3.744	0.470	0.290
28	A6D28RA29A	A6D28RA29C	A6D28RA29E	A6D28RA29F	5.216	4.966	4.653	4.532	4.212	0.470	0.290
36	A6D36RA29A	A6D36RA29C	A6D36RA29E	A6D36RA29F	6.464	6.214	5.901	5.780	5.460	0.470	0.290
40	A6D40RA29A	A6D40RA29C	A6D40RA29E	A6D40RA29F	7.088	6.838	6.525	6.404	6.084	0.470	0.290
43	A6D43RA29A	A6D43RA29C	A6D43RA29E	A6D43RA29F	7.556	7.306	6.993	6.872	6.552	0.470	0.290
.150" ROW-TO-ROW (DIM. "H") SPACING											
06	A6D06RA29AM233	A6D06RA29CM233	A6D06RA29EM233	A6D06RA29FM233	1.784	1.534	1.221	1.100	0.780	0.420	0.240
10	A6D10RA29AM233	A6D10RA29CM233	A6D10RA29EM233	A6D10RA29FM233	2.408	2.158	1.845	1.724	1.404	0.420	0.240
12	A6D12RA29AM233	A6D12RA29CM233	A6D12RA29EM233	A6D12RA29FM233	2.720	2.470	2.157	2.036	1.716	0.420	0.240
15	A6D15RA29AM233	A6D15RA29CM233	A6D15RA29EM233	A6D15RA29FM233	3.188	2.938	2.625	2.504	2.184	0.420	0.240
18	A6D18RA29AM233	A6D18RA29CM233	A6D18RA29EM233	A6D18RA29FM233	3.656	3.406	3.093	2.972	2.652	0.420	0.240
22	A6D22RA29AM233	A6D22RA29CM233	A6D22RA29EM233	A6D22RA29FM233	4.280	4.030	3.717	3.596	3.276	0.420	0.240
25	A6D25RA29AM233	A6D25RA29CM233	A6D25RA29EM233	A6D25RA29FM233	4.748	4.498	4.185	4.064	3.744	0.420	0.240
28	A6D28RA29AM233	A6D28RA29CM233	A6D28RA29EM233	A6D28RA29FM233	5.216	4.966	4.653	4.532	4.212	0.420	0.240
36	A6D36RA29AM233	A6D36RA29CM233	A6D36RA29EM233	A6D36RA29FM233	6.464	6.214	5.901	5.780	5.460	0.420	0.240
40	A6D40RA29AM233	A6D40RA29CM233	A6D40RA29EM233	A6D40RA29FM233	7.088	6.838	6.525	6.404	6.084	0.420	0.240
43	A6D43RA29AM233	A6D43RA29CM233	A6D43RA29EM233	A6D43RA29FM233	7.556	7.306	6.993	6.872	6.552	0.420	0.240