



MICRO SWITCH
 FREEPORT ILLINOIS
 A DIVISION OF HONEYWELL
 FED. MFG. CODE 91929

SWITCH - BASIC

CATALOG LISTING
BZ-2RW8244-A2

DRAWING NUMBER **BZ-2RW8244-A2** PAGE 1 OF 1

REPLACES

RELEASE NO.

ISSUE **M** 7

CHECK

REVISIONS

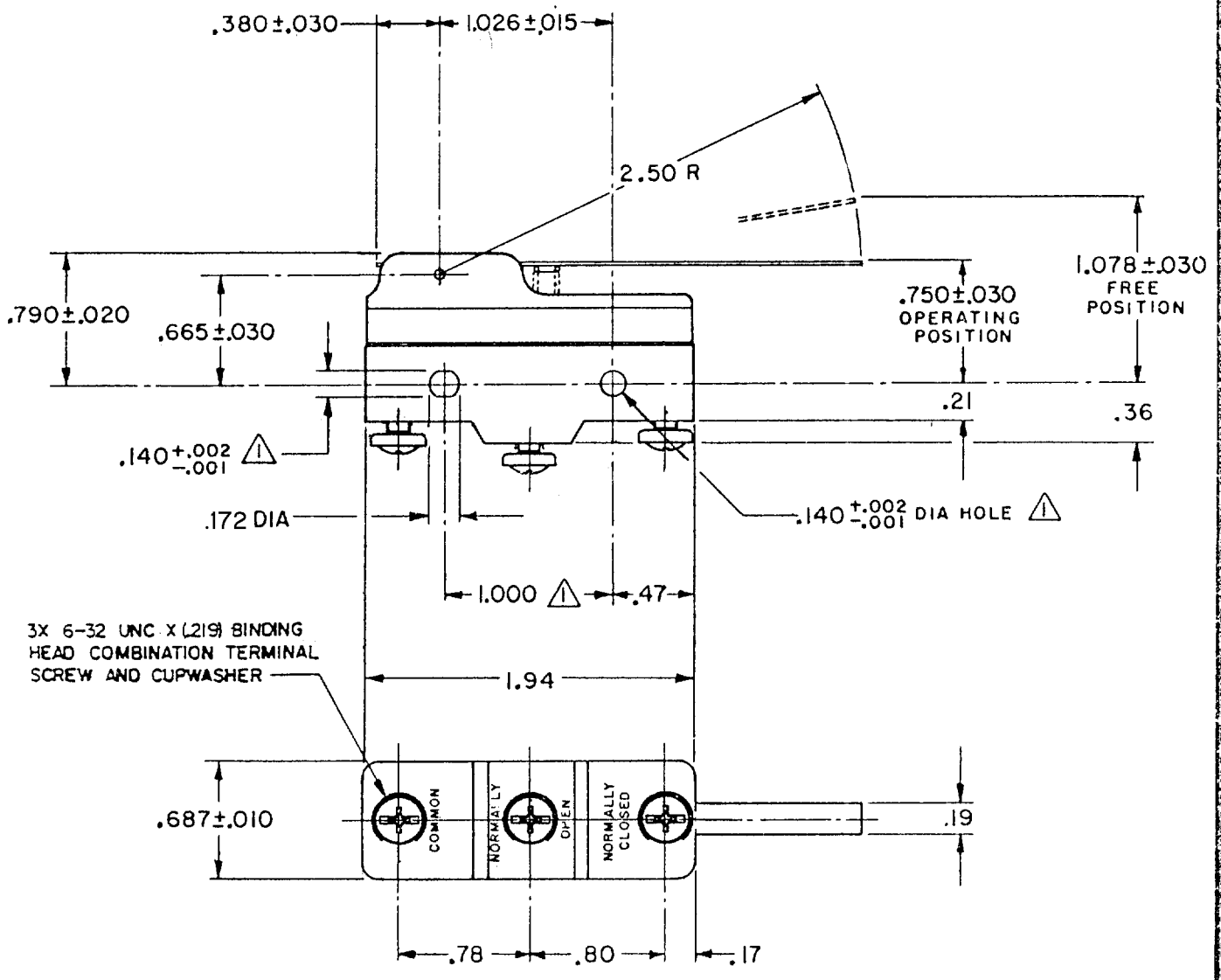
A	C017262
GCH	20 NOV 62
B	C021530
WEG	22 AUG 66
C	CO-73287-D
KDR	8 JULY 93
D	C093346
DLT	28 AUG 98
E	CO-95953
JJA	18 JAN 00

CHECK

DRAWN **DAW** 28 NOV 62

CHECK

FORMTEK
FO-80378



NOTES
 △ - MOUNTING HOLES WILL ACCEPT PINS OR SCREWS OF .139 MAX DIA ON 1.000 ±.002 CENTERS
 2 - SWITCH WILL WITHSTAND TEMPERATURE OF 400° F. FOR 100 HOURS

THIS DRAWING COVERS A PROPRIETARY ITEM AND IS THE PROPERTY OF MICRO SWITCH, A DIVISION OF MINNEAPOLIS-HONEYWELL REGULATOR CO. THIS DRAWING IS NOT TO BE COPIED OR USED WITHOUT THE APPROVAL OF MICRO SWITCH.

CHARACTERISTICS	ELECTRICAL DATA	SCALE FULL
OPERATING FORCE ----- 2 1/2 OZ MAX	CONTACT ARRANGEMENT S P D T	DO NOT SCALE PRINT
RELEASE FORCE ----- 1/2 OZ MIN	UNDERWRITERS' LAB. INC. LISTED RATING 5 A-125, 250 OR 480 VAC	UNLESS OTHERWISE SPECIFIED DIMENSIONS ARE IN INCHES
DIFFERENTIAL TRAVEL ----- .007-.050	-L35- 1/2 A-125 VDC; 1/4 A-250 VDC	TOLERANCES ARE:
OVERTRAVEL ----- .219 MIN	-L288- 	ONE PLACE (.0) ±.030 TWO PLACE (.00) ±.015 THREE PLACE (.000) ±.005 ANGLES ±
		WEIGHT .073 LB