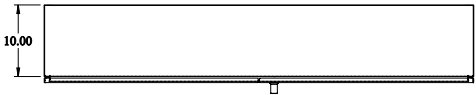
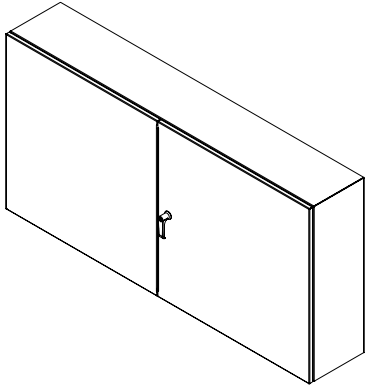
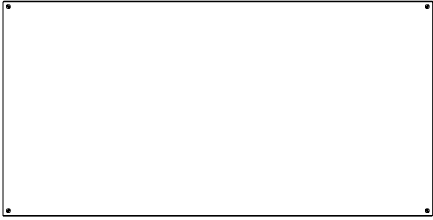


 PART No. EN4TD306010GY
for more information visit
www.hammitg.com
Data subject to change without notice
Isometric drawing Not to Scale

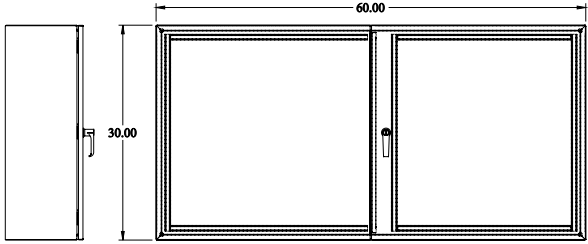


TOP VIEW

ISOMETRIC VIEW

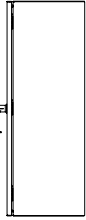


BACK VIEW

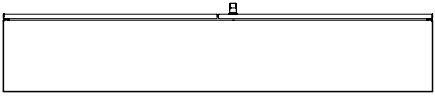


FRONT VIEW

LEFT SIDE VIEW



RIGHT SIDE VIEW



BOTTOM VIEW