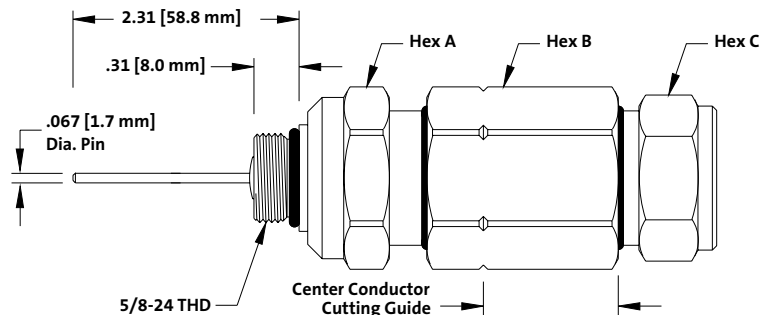


GRS Series 3-Piece Trunk and Distribution Connectors

GRS series 3-piece trunk and distribution connectors are used in low power RF, video, data signals and powered broadband systems. Chassis mounting connectors are used in 5/8-24 equipment entry.

- Independent seizing of the center conductor permits installers to physically verify the center conductor has been seized prior to tightening the back nut
- Placement of the integral mandrel of the connector in the main nut provides a full view of the center conductor's entrance into the seizing mechanism and requires minimal pull back for ease of installation
- Domed insulator at the KS interface prevents moisture from collecting between the contact pin and connector body, reducing the possibility of corrosion
- The GRS connectors have a center conductor cutting guide
- Reusable

GRS Pin Type Connectors



CommScope® P-3® Times Fiber® T-10

Cable Series	Part Number	Center Conductor	Outer Conductor	Body Hex (A)	Main Nut Hex (B)	Back Nut Hex (C)
.412	GRS-412-CH-DU-01-T	.092	.412	15/16	1	15/16
.500	GRS-500-CH-DU-03-T	.109	.500	1-1/8	1-1/8	1
.625	GRS-625-CH-DU-02-T	.137	.625	1-1/4	1-1/4	1-1/8
.750	GRS-750-CH-DU-01-T	.167	.750	1-3/8	1-3/8	1-1/4
.875	GRS-875-CH-DU-02-T	.194	.875	1-3/8	1-3/8	1-3/8
1.000	GRS-1000-CH-DU-01-T	.220	1.000	1-3/8	1-5/8 ϕ , 1-1/2 flats	1-1/2

CommScope® Quantum Reach® (QR)

.320 (7C)	GRS-320-CH-QR-T	.071	.320	15/16	1	1
.540	GRS-540-CH-QRP-T***	.124	.540	1-1/4	1-1/4	1-1/4
.715	GRS-715-CH-QRP-T***	.166	.715	1-5/16	1-5/16	1-5/16
.860	GRS-860-CH-QRP-T***	.203	.860	1-7/16	1-1/2	1-1/2
1.125	GRS-1125-CH-QR-T	.263	1.125	Requires 2 Hook Type Spanner Wrenches (P/N SW-2)		

Times Fiber TX-10

.480	GRS-480-CH-TX-T	.109	.480	1-1/8	1-1/8	1
.565	GRS-565-CH-TX-T	.129	.565	1-1/4	1-1/4	1-1/8
.700	GRS-700-CH-TX-T	.165	.700	1-5/16	1-5/16	1-5/16
.840	GRS-840-CH-TX-T	.194	.840	1-3/8	1-1/2	1-1/2
1.160	GRS-1160-CH-TX-T	.269	1.160	Requires 2 Hook Type Spanner Wrenches (P/N SW-2)		

Trilogy® MC2

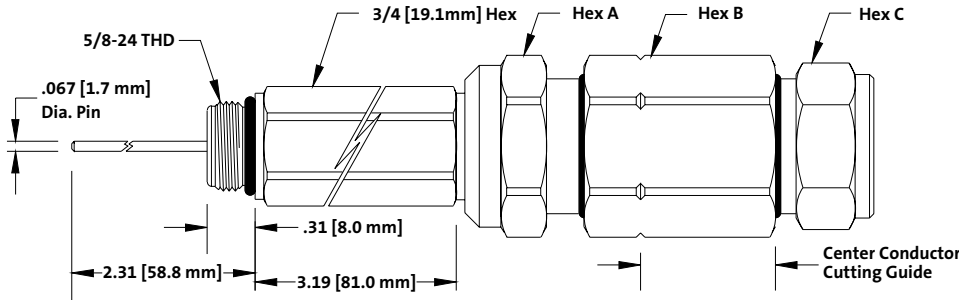
.440	GRS-440-CH-MC2-T	.105	.450	1-1/8	1-1/8	1
.500	GRS-500-CH-MC2-T	.123	.510	1-1/8	1-1/8	1
.650	GRS-650-CH-MC2-T	.156	.640	1-5/16	1-5/16	1-5/16
.750	GRS-750-CH-MC2-T	.185	.760	1-3/8	1-3/8	1-1/4
1.000	GRS-1000-CH-MC2-T	.248	1.015	1-1/2	1-3/4 ϕ , 1-5/8 flats	1-1/2

Early Generations See Cable Group Listings in Reference Section of this Catalog

.412 Group A	GRS-412-CH-A-01-T	.080	.412	13/16	1	15/16
.412 Group CX	GRS-412-CH-CX-T	.080	.482*	15/16	1-1/8	1
.500 Group C	GRS-500-CH-A-01-T	.100	.500	15/16	1-1/8	1
.500 Group D	GRS-500-CH-DU-01-T	.109	.500	1-1/8	1-1/8	1
.500 Group E	GRS-500-CH-DU-02-T	.109	.500	1-1/8	1-1/8	1
.500 Group F	GRS-13.0-CH-DU-01-T	.119	.509	1-1/8	1-1/8	1
.500 Group CX	GRS-500-CH-CX-T	.110	.571	1-1/8	1-1/4	1-1/8
.625 Group CX	GRS-625-CH-CX-T	.137	.693	1-1/4	1-3/8	1-1/4
.750 Group G	GRS-750-CH-A-01-T	.148	.750	1-1/8	1-3/8	1-1/4
.750 Group H	GRS-750-CH-DU-03-T	.167	.750	1-3/8	1-3/8	1-1/4
.750 Group J	GRS-750-CH-FD-04-T	.176	.750	1-3/8	1-3/8	1-1/4
.750 Group CX	GRS-750-CH-CX-T	.169	.816*	1-3/8	1-1/2 ϕ , 1-7/16 flats	1-1/4
.875 Group CX	GRS-875-CH-CX-T	.194	.947*	1-3/8	1-5/8 ϕ , 1-1/2 flats	1-1/2
1.000 Group O	GRS-1000-CH-A-01-T	.193	1.000	1-3/8	1-5/8 ϕ , 1-1/2 flats	1-1/2
1.000 Group N	GRS-1000-CH-FD-01-T	.236	1.000	1-1/2	1-3/4 ϕ , 1-5/8 flats	1-1/2

*Indicates diameter over outer jacket

***Incorporates a non-metallic support sleeve



Note: The part numbers listed are for the 3" extension length. Extensions are also available in 6" and 9" length. To order the 6" and 9" extension length follow the example shown below:

Example:
GRS-500-EXT-6-DU-03-T
GRS-500-EXT-9-DU-03-T

CommScope P-3 Times Fiber T-10

Cable Series	Part Number	Center Conductor	Outer Conductor	Body Hex (A)	Main Nut Hex (B)	Back Nut Hex (C)
.412**	GRS-412-EXT-DU-01-T	.092	.412	15/16	1	15/16
.500	GRS-500-EXT-DU-03-T	.109	.500	1-1/8	1-1/8	1
.625	GRS-625-EXT-DU-02-T	.137	.625	1-1/4	1-1/4	1-1/8
.750	GRS-750-EXT-DU-01-T	.167	.750	1-3/8	1-3/8	1-1/4
.875	GRS-875-EXT-DU-02-T	.194	.875	1-3/8	1-3/8	1-3/8
1.000**	GRS-1000-EXT-DU-01-T	.220	1.000	1-3/8	1-5/8 ϕ , 1-1/2 flats	1-1/2

CommScope QR

.320 (7C)**	GRS-320-EXT-QR-T	.071	.320	15/16	1	1
.540	GRS-540-EXT-QRP-T***	.124	.540	1-1/4	1-1/4	1-1/4
.715	GRS-715-EXT-QRP-T***	.166	.715	1-5/16	1-5/16	1-5/16
.860	GRS-860-EXT-QRP-T***	.203	.860	1-7/16	1-1/2	1-1/2
1.125**	GRS-1125-EXT-QR-T	.263	1.125	Requires 2 Hook Type Spanner Wrenches (P/N SW-2)		

Times Fiber TX-10

.565	GRS-565-EXT-TX-T	.129	.565	1-1/4	1-1/4	1-1/8
.700	GRS-700-EXT-TX-T	.165	.700	1-5/16	1-5/16	1-5/16
.840	GRS-840-EXT-TX-T	.194	.840	1-3/8	1-1/2	1-1/2
1.160**	GRS-1160-EXT-TX-T	.269	1.160	Requires 2 Hook Type Spanner Wrenches (P/N SW-2)		

Trilogy MC2

.440**	GRS-440-EXT-MC2-T	.105	.450	1-1/8	1-1/8	1
.500	GRS-500-EXT-MC2-T	.123	.510	1-1/8	1-1/8	1
.650	GRS-650-EXT-MC2-T	.156	.640	1-5/16	1-5/16	1-5/16
.750	GRS-750-EXT-MC2-T	.185	.760	1-3/8	1-3/8	1-1/4
1.000**	GRS-1000-EXT-MC2-T	.248	1.015	1-1/2	1-3/4 ϕ , 1-5/8 flats	1-1/2

Early Generations See Cable Group Listings in Reference Section of this Catalog

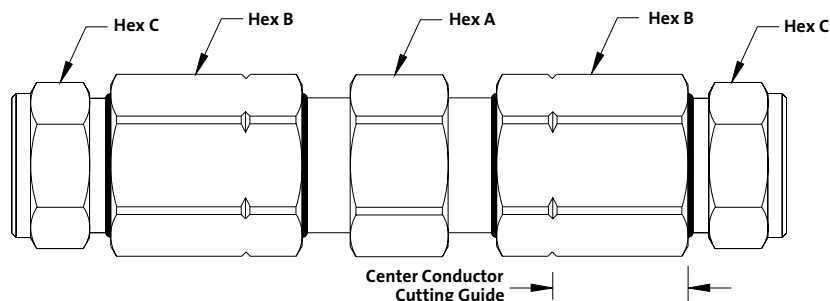
.412 Group A**	GRS-412-EXT-A-01-T	.080	.412	13/16	1	15/16
.412 Group CX**	GRS-412-EXT-CX-T	.080	.482*	15/16	1-1/8	1
.500 Group C**	GRS-500-EXT-A-01-T	.100	.500	15/16	1-1/8	1
.500 Group D	GRS-500-EXT-DU-01-T	.109	.500	1-1/8	1-1/8	1
.500 Group E**	GRS-500-EXT-DU-02-T	.109	.500	1-1/8	1-1/8	1
.500 Group CX**	GRS-500-EXT-CX-T	.110	.571*	1-1/8	1-1/4	1-1/8
.625 Group CX**	GRS-625-EXT-CX-T	.137	.693*	1-1/4	1-3/8	1-1/4
.750 Group G**	GRS-750-EXT-A-01-T	.148	.750	1-1/8	1-3/8	1-1/4
.750 Group H**	GRS-750-EXT-DU-03-T	.167	.750	1-3/8	1-3/8	1-1/4
.750 Group J**	GRS-750-EXT-FD-04-T	.176	.750	1-3/8	1-3/8	1-1/4
.750 Group CX**	GRS-750-EXT-CX-T	.169	.816*	1-3/8	1-1/2 ϕ , 1-7/16 flats	1-1/4
.875 Group CX**	GRS-875-EXT-CX-T	.194	.947*	1-3/8	1-5/8 ϕ , 1-1/2 flats	1-1/2
1.000 Group O**	GRS-1000-EXT-A-01-T	.193	1.000	1-3/8	1-5/8 ϕ , 1-1/2 flats	1-1/2
1.000 Group N**	GRS-1000-EXT-FD-01-T	.236	1.000	1-1/2	1-3/4 ϕ , 1-5/8 flats	1-1/2

*Indicates diameter over outer jacket

**Extension connector is assembled from a pin type connector and a socket contact extension adapter

***Incorporates a non-metallic support sleeve

GRS Splice Connectors



CommScope P-3 Times Fiber T-10

Cable Series	Part Number	Center Conductor	Outer Conductor	Body Hex (A)	Main Nut Hex (B)	Back Nut Hex (C)
.412	GRS-412-SP-DU-01	.092	.412	15/16	1	15/16
.500	GRS-500-SP-DU-03	.109	.500	1-1/8	1-1/8	1
.625	GRS-625-SP-DU-02	.137	.625	1-1/4	1-1/4	1-1/8
.750	GRS-750-SP-DU-01	.167	.750	1-3/8	1-3/8	1-1/4
.875	GRS-875-SP-DU-02	.194	.875	1-3/8	1-3/8	1-3/8
1.000	GRS-1000-SP-DU-01	.220	1.000	1-3/8	1-5/8 ϕ , 1-1/2 flats	1-1/2

CommScope QR

.320 (7C)	GRS-320-SP-QR	.071	.320	15/16	1	1
.540	GRS-540-SP-QRP***	.124	.540	1-1/4	1-1/4	1-1/4
.715	GRS-715-SP-QRP***	.166	.715	1-5/16	1-5/16	1-5/16
.860	GRS-860-SP-QRP***	.203	.860	1-7/16	1-1/2	1-1/2
1.125	GRS-1125-SP-QR	.263	1.125	Requires 2 Hook Type Spanner Wrenches (P/N SW-2)		

Times Fiber TX-10

.565	GRS-565-SP-TX	.129	.565	1-1/4	1-1/4	1-1/8
.700	GRS-700-SP-TX	.165	.700	1-5/16	1-5/16	1-5/16
.840	GRS-840-SP-TX	.194	.840	1-3/8	1-1/2	1-1/2
1.160	GRS-1160-SP-TX	.269	1.160	Requires 2 Hook Type Spanner Wrenches (P/N SW-2)		

Trilogy MC2

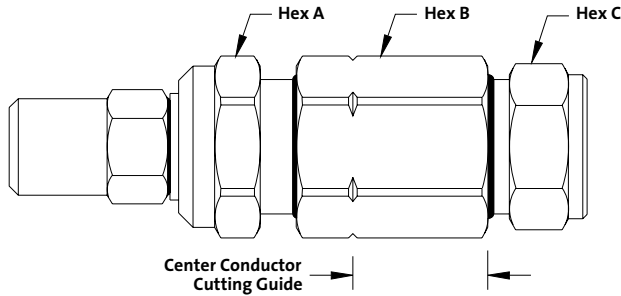
.440	GRS-440-SP-MC2	.105	.450	1-1/8	1-1/8	1
.500	GRS-500-SP-MC2	.123	.510	1-1/8	1-1/8	1
.650	GRS-650-SP-MC2	.156	.640	1-5/16	1-5/16	1-5/16
.750	GRS-750-SP-MC2	.185	.760	1-3/8	1-3/8	1-1/4
1.000	GRS-1000-SP-MC2	.248	1.015	1-1/2	1-3/4 ϕ , 1-5/8 flats	1-1/2

Early Generations See Cable Group Listings in Reference Section of this Catalog

.412 Group A	GRS-412-SP-A-01	.080	.412	13/16	1	15/16
.412 Group CX	GRS-412-SP-CX	.080	.482*	15/16	1-1/8	1
.500 Group C	GRS-500-SP-A-01	.100	.500	15/16	1-1/8	1
.500 Group D	GRS-500-SP-DU-01	.109	.500	1-1/8	1-1/8	1
.500 Group E	GRS-500-SP-DU-02	.109	.500	1-1/8	1-1/8	1
.500 Group CX	GRS-500-SP-CX	.110	.571*	1-1/8	1-1/4	1-1/8
.625 Group CX	GRS-625-SP-CX	.137	.693*	1-1/4	1-3/8	1-1/4
.750 Group G	GRS-750-SP-A-01	.148	.750	1-1/8	1-3/8	1-1/4
.750 Group H	GRS-750-SP-DU-03	.167	.750	1-3/8	1-3/8	1-1/4
.750 Group J	GRS-750-SP-FD-04	.176	.750	1-3/8	1-3/8	1-1/4
.750 Group CX	GRS-750-SP-CX	.169	.816*	1-3/8	1-1/2 ϕ , 1-7/16 flats	1-1/4
.875 Group CX	GRS-875-SP-CX	.194	.947*	1-3/8	1-5/8 ϕ , 1-1/2 flats	1-1/2
1.000 Group O	GRS-1000-SP-A-01	.193	1.000	1-3/8	1-5/8 ϕ , 1-1/2 flats	1-1/2
1.000 Group N	GRS-1000-SP-FD-01	.236	1.000	1-1/2	1-3/4 ϕ , 1-5/8 flats	1-1/2

*Indicates diameter over outer jacket

***Incorporates a non-metallic support sleeve



CommScope P-3 Times Fiber T-10

Cable Series	Part Number	Center Conductor	Outer Conductor	Body Hex (A)	Main Nut Hex (B)	Back Nut Hex (C)
.412	GRS-412-TR-DU-01	.092	.412	15/16	1	15/16
.500	GRS-500-TR-DU-03	.109	.500	1-1/8	1-1/8	1
.625	GRS-625-TR-DU-02	.137	.625	1-1/4	1-1/4	1-1/8
.750	GRS-750-TR-DU-01	.167	.750	1-3/8	1-3/8	1-1/4
.875	GRS-875-TR-DU-02	.194	.875	1-3/8	1-3/8	1-3/8
1.000	GRS-1000-TR-DU-01	.220	1.000	1-3/8	1-5/8 \emptyset , 1-1/2 flats	1-1/2

CommScope QR

.320 (7C)	GRS-320-TR-QR	.071	.320	15/16	1	1
.540	GRS-540-TR-QRP***	.124	.540	1-1/4	1-1/4	1-1/4
.715	GRS-715-TR-QRP***	.166	.715	1-5/16	1-5/16	1-5/16
.860	GRS-860-TR-QRP***	.203	.860	1-7/16	1-1/2	1-1/2
1.125	GRS-1125-TR-QR	.263	1.125	Requires 2 Hook Type Spanner Wrenches (P/N SW-2)		

Times Fiber TX-10

.565	GRS-565-TR-TX	.129	.565	1-1/4	1-1/4	1-1/8
.700	GRS-700-TR-TX	.165	.700	1-5/16	1-5/16	1-5/16
.840	GRS-840-TR-TX	.194	.840	1-3/8	1-1/2	1-1/2
1.160	GRS-1160-TR-TX	.269	1.160	Requires 2 Hook Type Spanner Wrenches (P/N SW-2)		

Trilogy MC2

.440	GRS-440-TR-MC2	.105	.450	1-1/8	1-1/8	1
.500	GRS-500-TR-MC2	.123	.510	1-1/8	1-1/8	1
.650	GRS-650-TR-MC2	.156	.640	1-5/16	1-5/16	1-5/16
1.000	GRS-1000-TR-MC2	.248	1.015	1-1/2	1-3/4 \emptyset , 1-5/8 flats	1-1/2

Early Generations See Cable Group Listings in Reference Section of this Catalog

.412 Group A	GRS-412-TR-A-01	.080	.412	13/16	1	15/16
.412 Group CX	GRS-412-TR-CX	.080	.482*	15/16	1-1/8	1
.500 Group C	GRS-500-TR-A-01	.100	.500	15/16	1-1/8	1
.500 Group D	GRS-500-TR-DU-01	.109	.500	1-1/8	1-1/8	1
.500 Group E	GRS-500-TR-DU-02	.109	.500	1-1/8	1-1/8	1
.500 Group CX	GRS-500-TR-CX	.110	.571*	1-1/8	1-1/4	1-1/8
.625 Group CX	GRS-625-TR-CX	.137	.693*	1-1/4	1-3/8	1-1/4
.750 Group G	GRS-750-TR-A-01	.148	.750	1-1/8	1-3/8	1-1/4
.750 Group H	GRS-750-TR-DU-03	.167	.750	1-3/8	1-3/8	1-1/4
.750 Group J	GRS-750-TR-FD-04	.176	.750	1-3/8	1-3/8	1-1/4
.750 Group CX	GRS-750-TR-CX	.169	.816*	1-3/8	1-1/2 \emptyset , 1-7/16 flats	1-1/4
.875 Group CX	GRS-875-TR-CX	.194	.947*	1-3/8	1-5/8 \emptyset , 1-1/2 flats	1-1/2
1.000 Group O	GRS-1000-TR-A-01	.193	1.000	1-3/8	1-5/8 \emptyset , 1-1/2 flats	1-1/2
1.000 Group N	GRS-1000-TR-FD-01	.236	1.000	1-1/2	1-3/4 \emptyset , 1-5/8 flats	1-1/2

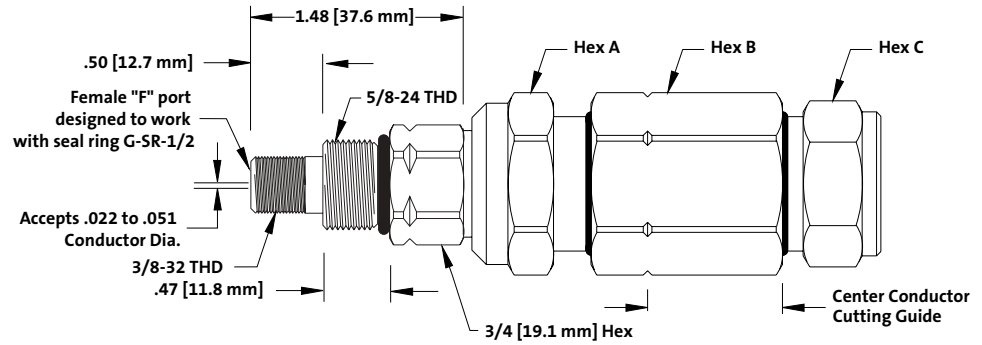
*Indicates diameter over outer jacket

***Incorporates a non-metallic support sleeve

GRS BAFF Connectors



"F" Female designed for outdoor applications when used with Seal Ring (G-SR-1/2) and UltraSeal or Gilbert 360 connectors.



CommScope P-3 Times Fiber T-10

Cable Series	Part Number	Center Conductor	Outer Conductor	Body Hex (A)	Main Nut Hex (B)	Back Nut Hex (C)
.412	GRS-412-BAFF-DU-01	.092	.412	15/16	1	15/16
.500	GRS-500-BAFF-DU-03	.109	.500	1-1/8	1-1/8	1
.625	GRS-625-BAFF-DU-02	.137	.625	1-1/4	1-1/4	1-1/8
.750	GRS-750-BAFF-DU-01	.167	.750	1-3/8	1-3/8	1-1/4
.875	GRS-875-BAFF-DU-02	.194	.875	1-3/8	1-3/8	1-3/8
1.000	GRS-1000-BAFF-DU-01	.220	1.000	1-3/8	1-5/8 ϕ , 1-1/2 flats	1-1/2

CommScope QR

.320 (7C)	GRS-320-BAFF-QR	.071	.320	15/16	1	1
.540	GRS-540-BAFF-QRP***	.124	.540	1-1/4	1-1/4	1-1/4
.715	GRS-715-BAFF-QRP***	.166	.715	1-5/16	1-5/16	1-5/16
.860	GRS-860-BAFF-QRP***	.203	.860	1-7/16	1-1/2	1-1/2
1.125	GRS-1125-BAFF-QR	.263	1.125	Requires 2 Hook Type Spanner Wrenches (P/N SW-2)		

Times Fiber TX-10

.565	GRS-565-BAFF-TX	.129	.565	1-1/4	1-1/4	1-1/8
.700	GRS-700-BAFF-TX	.165	.700	1-5/16	1-5/16	1-5/16
.840	GRS-840-BAFF-TX	.194	.840	1-3/8	1-1/2	1-1/2
1.160	GRS-1160-BAFF-TX	.269	1.160	Requires 2 Hook Type Spanner Wrenches (P/N SW-2)		

Trilogy MC2

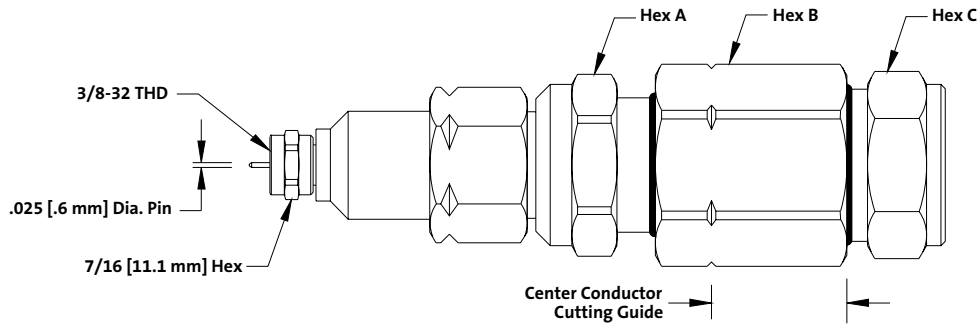
.440	GRS-440-BAFF-MC2	.105	.450	1-1/8	1-1/8	1
.500	GRS-500-BAFF-MC2	.123	.510	1-1/8	1-1/8	1
.650	GRS-650-BAFF-MC2	.156	.640	1-5/16	1-5/16	1-5/16
.750	GRS-750-BAFF-MC2	.185	.760	1-3/8	1-3/8	1-1/4
1.000	GRS-1000-BAFF-MC2	.248	1.015	1-1/2	1-3/4 ϕ , 1-5/8 flats	1-1/2

Early Generations See Cable Group Listings in Reference Section of this Catalog

.412 Group A	GRS-412-BAFF-A-01	.080	.412	13/16	1	15/16
.412 Group CX	GRS-412-BAFF-CX	.080	.482*	15/16	1-1/8	1
.500 Group C	GRS-500-BAFF-A-01	.100	.500	15/16	1-1/8	1
.500 Group D	GRS-500-BAFF-DU-01	.109	.500	1-1/8	1-1/8	1
.500 Group E	GRS-500-BAFF-DU-02	.109	.500	1-1/8	1-1/8	1
.500 Group CX	GRS-500-BAFF-CX	.110	.571*	1-1/8	1-1/4	1-1/8
.625 Group CX	GRS-625-BAFF-CX	.137	.693*	1-1/4	1-3/8	1-1/4
.750 Group G	GRS-750-BAFF-A-01	.148	.750	1-1/8	1-3/8	1-1/4
.750 Group H	GRS-750-BAFF-DU-03	.167	.750	1-3/8	1-3/8	1-1/4
.750 Group J	GRS-750-BAFF-FD-04	.176	.750	1-3/8	1-3/8	1-1/4
.750 Group CX	GRS-750-BAFF-CX	.169	.816*	1-3/8	1-1/2 ϕ , 1-7/16 flats	1-1/4
.875 Group CX	GRS-875-BAFF-CX	.194	.947*	1-3/8	1-5/8 ϕ , 1-1/2 flats	1-1/2
1.000 Group O	GRS-1000-BAFF-A-01	.193	1.000	1-3/8	1-5/8 ϕ , 1-1/2 flats	1-1/2
1.000 Group N	GRS-1000-BAFF-FD-01	.236	1.000	1-1/2	1-3/4 ϕ , 1-5/8 flats	1-1/2

*Indicates diameter over outer jacket

***Incorporates a non-metallic support sleeve



CommScope P-3 Times Fiber T-10

Cable Series	Part Number	Center Conductor	Outer Conductor	Body Hex (A)	Main Nut Hex (B)	Back Nut Hex (C)
.412	GRS-412-AFM-DU-01	.092	.412	15/16	1	15/16
.500	GRS-500-AFM-DU-03	.109	.500	1-1/8	1-1/8	1
.625	GRS-625-AFM-DU-02	.137	.625	1-1/4	1-1/4	1-1/8
.750	GRS-750-AFM-DU-01	.167	.750	1-3/8	1-3/8	1-1/4
.875	GRS-875-AFM-DU-02	.194	.875	1-3/8	1-3/8	1-3/8
1.000	GRS-1000-AFM-DU-01	.220	1.000	1-3/8	1-5/8 ϕ , 1-1/2 flats	1-1/2

CommScope QR

.320 (7C)	GRS-320-AFM-QR	.071	.320	15/16	1	1
.540	GRS-540-AFM-QRP***	.124	.540	1-1/4	1-1/4	1-1/4
.715	GRS-715-AFM-QRP***	.166	.715	1-5/16	1-5/16	1-5/16
.860	GRS-860-AFM-QRP***	.203	.860	1-7/16	1-1/2	1-1/2
1.125	GRS-1125-AFM-QR	.263	1.125	Requires 2 Hook Type Spanner Wrenches (P/N SW-2)		

Times Fiber TX-10

.565	GRS-565-AFM-TX	.129	.565	1-1/4	1-1/4	1-1/8
.700	GRS-700-AFM-TX	.165	.700	1-5/16	1-5/16	1-5/16
.840	GRS-840-AFM-TX	.194	.840	1-3/8	1-1/2	1-1/2
1.160	GRS-1160-AFM-TX	.269	1.160	Requires 2 Hook Type Spanner Wrenches (P/N SW-2)		

Trilogy MC2

.440	GRS-440-AFM-MC2	.105	.450	1-1/8	1-1/8	1
.500	GRS-500-AFM-MC2	.123	.510	1-1/8	1-1/8	1
.650	GRS-650-AFM-MC2	.156	.640	1-5/16	1-5/16	1-5/16
.750	GRS-750-AFM-MC2	.185	.760	1-3/8	1-3/8	1-1/4
1.000	GRS-1000-AFM-MC2	.248	1.015	1-1/2	1-3/4 ϕ , 1-5/8 flats	1-1/2

Early Generations See Cable Group Listings in Reference Section of this Catalog

.412 Group A	GRS-412-AFM-A-01	.080	.412	13/16	1	15/16
.412 Group CX	GRS-412-AFM-CX	.080	.482*	15/16	1-1/8	1
.500 Group C	GRS-500-AFM-A-01	.100	.500	15/16	1-1/8	1
.500 Group D	GRS-500-AFM-DU-01	.109	.500	1-1/8	1-1/8	1
.500 Group E	GRS-500-AFM-DU-02	.109	.500	1-1/8	1-1/8	1
.500 Group CX	GRS-500-AFM-CX	.110	.571*	1-1/8	1-1/4	1-1/8
.625 Group CX	GRS-625-AFM-CX	.137	.693*	1-1/4	1-3/8	1-1/4
.750 Group G	GRS-750-AFM-A-01	.148	.750	1-1/8	1-3/8	1-1/4
.750 Group H	GRS-750-AFM-DU-03	.167	.750	1-3/8	1-3/8	1-1/4
.750 Group CX	GRS-750-AFM-CX	.169	.816*	1-3/8	1-1/2 ϕ , 1-7/16 flats	1-1/4
.875 Group CX	GRS-875-AFM-CX	.194	.947*	1-3/8	1-5/8 ϕ , 1-1/2 flats	1-1/2
1.000 Group O	GRS-1000-AFM-A-01	.193	1.000	1-3/8	1-5/8 ϕ , 1-1/2 flats	1-1/2

*Indicates diameter over outer jacket

***Incorporates a non-metallic support sleeve

GRS Feed Thru Connectors

CommScope P-3 Times Fiber T-10

Cable Series	Part Number	Center Conductor	Outer Conductor	Body Hex (A)	Back Nut Hex (B)
.412	GRS-412-B-DU-01	.092	.412	1	1-15/16
.500	GRS-500-B-DU-03	.109	.500	1-1/8	1

CommScope QR

.540	GRS-540-B-QR	.124	.540	1-1/4	1-1/4
------	--------------	------	------	-------	-------

Trilogy MC2

.440	GRS-440-B-MC2	.105	.450	1-1/8	1
.500	GRS-500-B-MC2	.123	.510	1-1/8	1

Early Generations See Cable Group Listings in Reference Section of this Catalog

.500 Group D	GRS-500-B-DU-01	.109	.500	1-1/8	1-1/8
--------------	-----------------	------	------	-------	-------

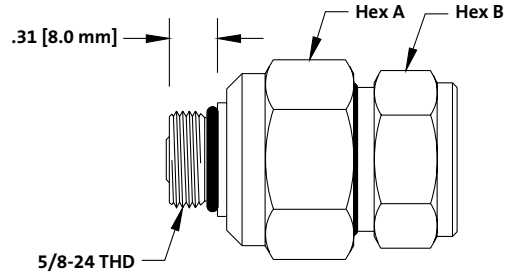


Figure 1

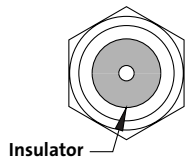


Figure 2

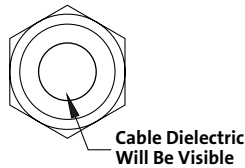
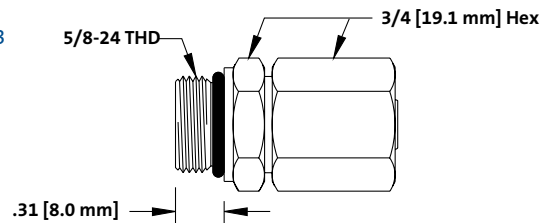


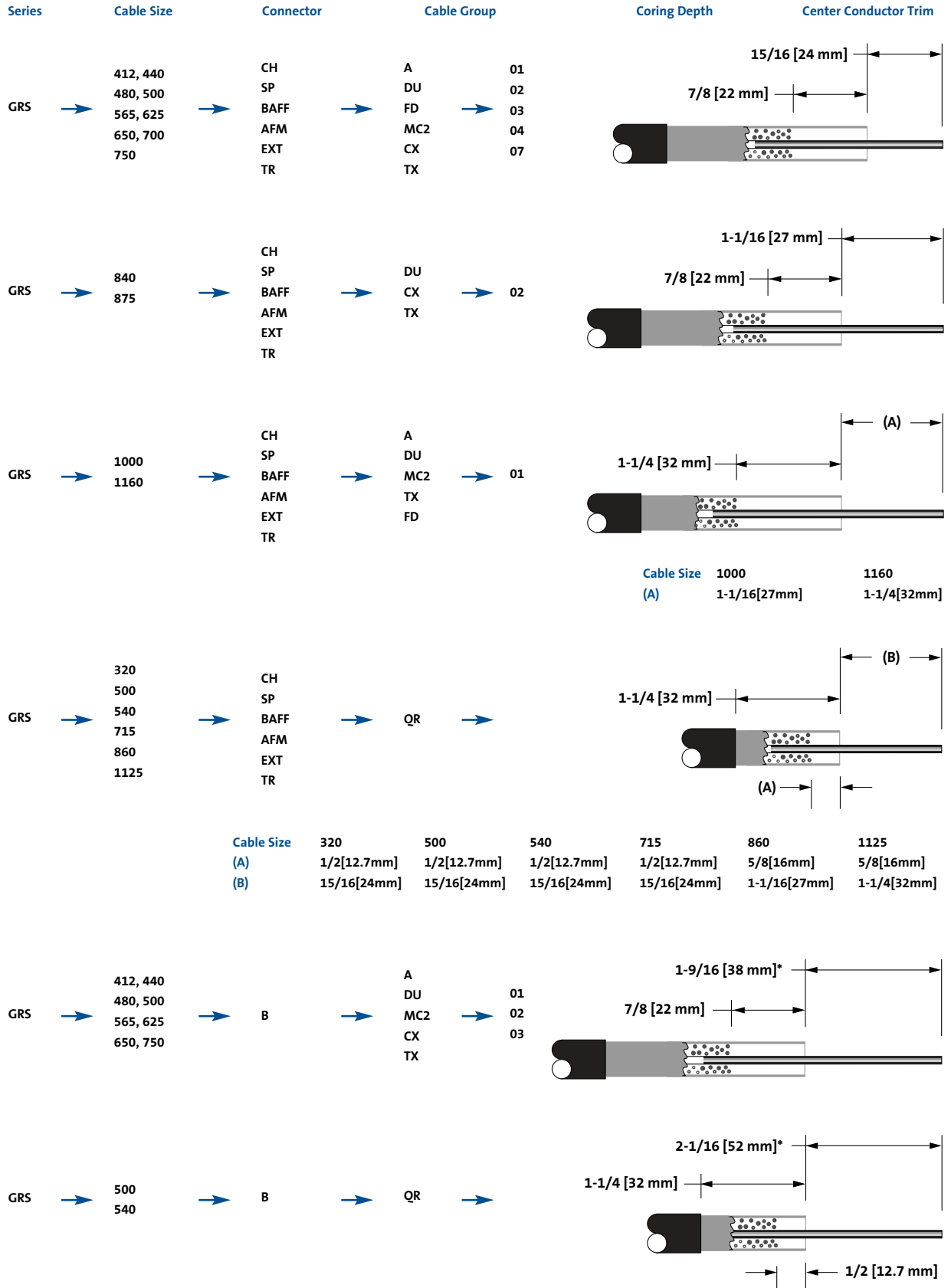
Figure 3



Series 11

Series 11	Part Number	Figure	Dielectric O.D.
	G-11-FT	1,3	.284
	G-11-FT-SPL	2,3	.284

Cable Preparation Dimensions



* Typical dimension, actual is dependent upon equipment selected. This dimension should be verified for appropriate length.