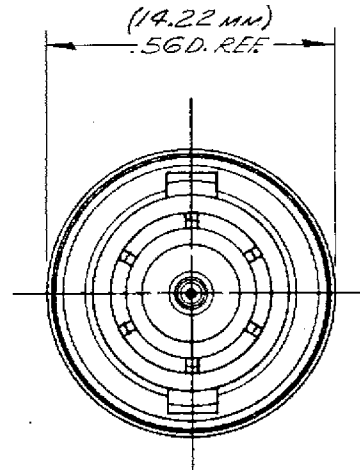
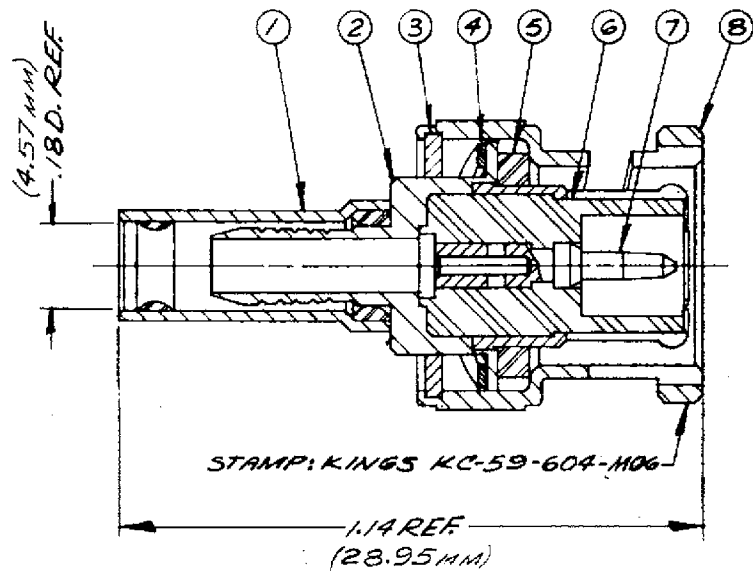


DASH NO. M CODE MADE FROM



**NOTES:**

1. FOR USE WITH RAYCHEM 502IK1011 CABLE.
2. FOR CABLE TRIMMING USE KTI-153 & KTD-161.
3. FOR CRIMPING USE DIE SIZE 128.
4. FOR CABLING INSTRUCTIONS SEE CP-5401.
5. ITEMS ①, ②, ③ & ⑧ TO HAVE TR5 FINISH.
6. MARK PACKAGE: KINGS KC-59-604-M06  
XXXX (DATE CODE)

**UNLESS OTHERWISE SPECIFIED:**

1. TOLERANCES FRACTIONS & 2 PLACE DECIMALS ± .010
- 3 PLACE DECIMALS ± .004
- ANGLES ± 0°30'
- T. I. R. CONCENTRICITY OF ANY 2 DIAMETERS MAY NOT EXCEED HALF THE SUM OF THEIR TOLERANCES

2. REMOVE ALL BURRS, BREAK SHARP EDGES .005 MAX.
3. NO FILLETS PERMITTED.
4. SURFACE ROUGHNESS 83 MICROINCHES RMS MAX.
5. ALL DIMENSIONS PRIOR TO PLATING.
6. ALL PLATING IN ACCORDANCE WITH KER 10004.


MAX. WEIGHT  
16 GRAMS

KC-59-604-M06  
(SHEET 1 OF 2)  
S-D

REVISIONS	
ISSUE	CHANGES
0	ER 22237 GL 3 MAY 83
1	CN 31044 C KH 9 AUG 89

SCALE	4:1
APPROX SURFACE AREA	
USED ON	
REF	BOEING
	BNC PLUG
DRAWN	DATE 15 APR 81
APPN. VLS	DATE 30 APR 81
KC-59-604-M06	
(SHEET 1 OF 2)	

ITEM	REQ'D	DESCRIPTION	PART NO.	KC-59-604-M06 (SHEET 2 OF 2)	
1	1	W/P K-GRIP SLEEVE	2-585-1M27	<b>REVISIONS</b> ISSUE      CHANGES 0      ER 22237 GL            3MAY83	
2	1	K-GRIP BODY ASS'Y			
3	1	WASHER		1	CN 31044 C KH 9 AUG 89
4	1	SPRING WASHER		<div style="text-align: center; font-size: 2em; font-weight: bold;">S-D</div>	
5	1	GASKET			
6	1	INSULATOR			
7	1	BNC CRIMP CAPTIVE CONTACT M	1-569-21-MA9		
8	1	BAYONET SLEEVE			
				USED ON:	
				REF:	
				FINISH SPEC. KER 10004	
				PARTS LIST	
				DRAWN RGH      DATE 15 APR 81	
				APPR. <i>[Signature]</i> DATE 16 JUN 81	
				 ELECTRONICS CO., INC. TUCKAHOE, NEW YORK 10707	
				KC-59-604-M06 (SHEET 2 OF 2)	