

Interface Power ICs

[Outline]

The MTA/MTB Series are monolithic power ICs designed for use as needle print head drivers in dot matrix printers, and as stepping motor drivers.

[Features]

1. Inputs are TTL or CMOS compatible.
2. High output current $I_c=2A$ or $4A$, $V_{CE} = 60V$ or $80V$
3. Insulated single in-line packaging with heatsink installed

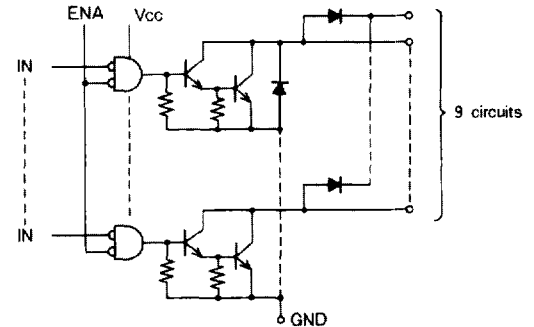
[Applications]

1. Head driver for dot matrix printers, ECR and time recorders.
2. Stepping motor driver for printers, typewriters, FAX, PPC, and XY plotters
3. Drivers for solenoids, and displays (LED, etc.)

Parts No.	Ic [A]	V _{CEO} [V]	P _T [W]		Operation				Outline
			T _a =25°C	T _c =25°C	Input	Output	Circuits	Pin-out	Fig.
MTA001M	2	80	5	35	L Active	NPN Darlington	9	27-pin ZIP	82
011		H Active							
002		L Active			PNP Darlington				
MTB001	4	80				H Active	NPN Darlington	4	16-pin SIP
011									
MTD1110	2	60			5	35	4-phase input	H Bridge	2
☆ 1120	1.2								
2001	1.5								

☆: New Products

Equivalent circuit (MTA001M)



IC Power Modules for Switching Power Supply

[Outline]

This is an IC module for the primary side of RCC type switching power supplies.

[Features]

1. Only a small number of additional externally mounted components are needed.
2. Capable of a "soft" start
3. High efficiency and large output-current
4. Insulated 7-terminal package

Parts No.			Input Voltage [V]	Output capacity [W]	Remarks	Outline
MA1000 series	MA2000 series*2	☆MA4000 series				Fig.
MA1010	MA2410	—	90~132	20	—	84
1020	2420	MA4510		30		
1030	2430	4520		50		
—	2440	4530		80		
—	2450	—		100		
1040	2810	—	180~276	40	*1	
1050	2820	4810		60		
—	2830	4820		100		

☆: New Products

- *1: By adding a few external parts, these modules can be used in power supplies with a wide input voltage range.
- *2: With the MA2000 series, overvoltage control and ON/OFF switching of the output is possible.

Circuit example for a switching P/S

