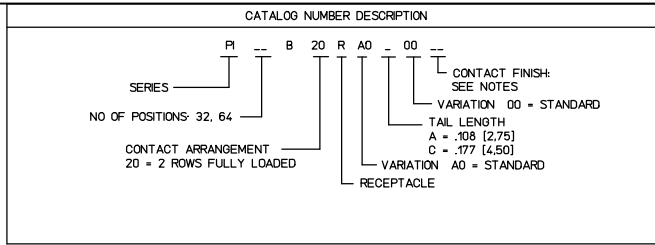


TABLE OF DIMENSIONS					
CATALOG NUMBER	NUMBER OF POSITIONS	A (MAX)	B	C ±.004 (0.10)	D
PI32B20RA0_00_	32	2.165 55.00	1.968 50.00	1.744 44.30	1.500 38.10
PI64B20RA0_00_	64	3.740 95.00	3.543 90.00	3.343 84.90	3.100 78.74



NOTES: UNLESS OTHERWISE SPECIFIED

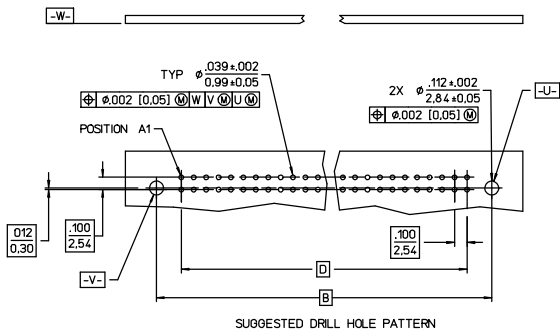
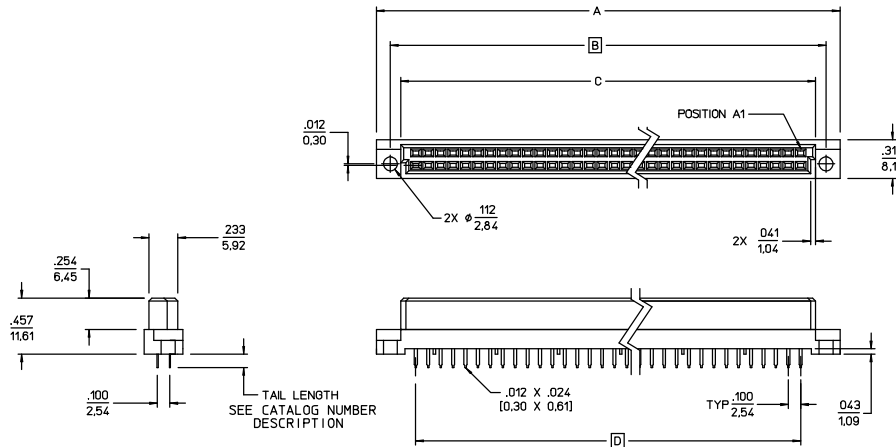
MATERIAL:

BODY - GLASS REINFORCED POLYESTER UL94V-0, COLOR - LIGHT GRAY
CONTACTS - COPPER ALLOY

CONTACT FINISH:

N9 = 30 MICRONS [0.762 MICRONS] MIN GOLD IN CONTACT AREA
100 MICRONS [2.54 MICRONS] MIN TINLEAD ALLOY ON CONTACT TAILS
50 MICRONS [1.27 MICRONS] MIN NICKEL UNDERPLATE ALL OVER.

Z1 = 16 MICRONS [0.406 MICRONS] MIN GOLD IN CONTACT AREA
100 MICRONS [2.54 MICRONS] MIN TINLEAD ALLOY ON CONTACT TAILS
50 MICRONS [1.27 MICrons] MIN NICKEL UNDERPLATE ALL OVER.



B	REV PER ECR V20605	TAB	MRG	3/28/02
REV	REVISION DESCRIPTION	BY	CHKD	DATE

STANDARD TWO ROW VERTICAL RECEPTACLE, TYPE B, 1/2 B

CAT NO PI_B20RA0_00_ (SEE TABLE)

DWG RELEASED TO CENTRAL FILE 01-10-96

LINEAR MEASURE: INCH mm INCH (mm)

THIRD ANGLE PROJECTION

- TOLERANCES -

UNLESS OTHERWISE SPECIFIED

NO OF DECIMAL PLACES IN INCHES

ONE PLACE ±.1 (.3)

TWO PLACES ±.02 (.05)

THREE PLACES ±.005 (.013)

ANGLES ±°

DRWN	JAT	04-20-95
CHKD	JK	05-16-95
DSGN	JAT	04-17-95
MKT	KM	11-03-95
QC	ZR	11-06-95

© FRAMATOME CONNECTORS USA INC.1995



DRAWING SCALE 2 : 1

DRAWING NO

SE96313

SHEET 1 OF 1