

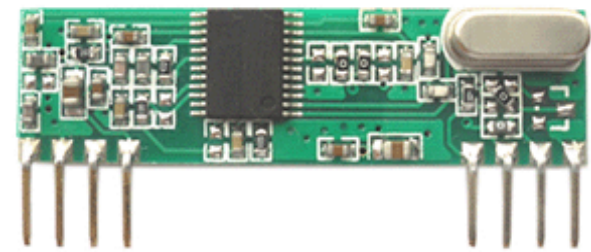
FSK FM Receiver Module ET-RXB-3

ET-RXB-3 is FSK FM Receiver Module, which is the New Generation Module of the family version ET-RXB-16, it preferably applied in Remote Keyless Entry (RKE) and Body Control Module (BCM) systems. Easy pass kinds of FCC or CE certification.

It has ability to restrain the radiation, can work with several module (one transmitter module and several receiver module) at the same time, and have no interference to each other, and don't influence the receiving distance.

Key Feature

- ◆ Modulation Mode : FSK / FM
- ◆ Operating Frequency : 433.92 Mhz
- ◆ Operating Voltage : 3.6~5.5 V
- ◆ Operating Current : 6 mA
- ◆ Data Rate : 9.6 Kbps
- ◆ Sensitivity : -118 dbm
- ◆ Operating Temperature : -40~+85 °C
- ◆ Working Distance : >500 m
- ◆ Dimension : 43*11.3*5 mm



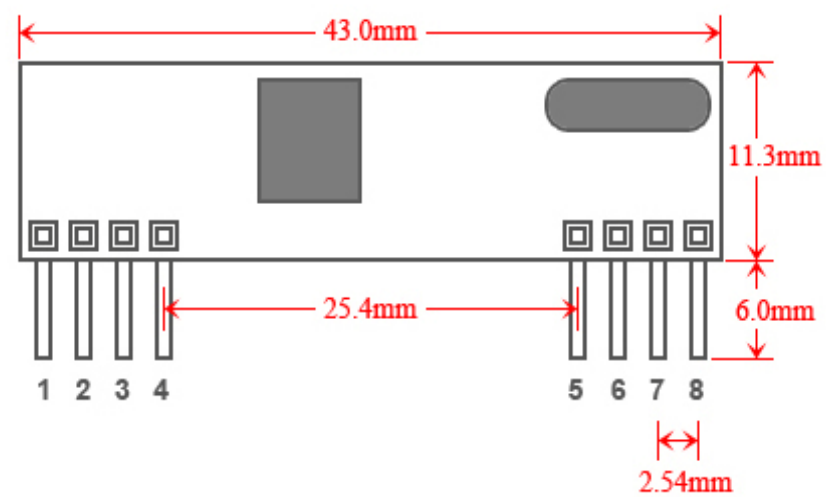
Application

- ◆ Car security system
- ◆ Body Control Module system (BCM)
- ◆ Remote Keyless Entry system (RKE)
- ◆ Tire-Pressure Monitoring system (TPMS)
- ◆ Remote keyless entry
- ◆ Garage door controller
- ◆ Home security
- ◆ Wireless mouse
- ◆ Automation system

Electrical Characteristics

| Parameter | Symbol | Condition | Specification | | | Unit |
|-----------------------|--------|--------------|---------------|---------|--------|------|
| | | | Min | Typical | Max | |
| Operating frequency | Fc | | 433.82 | 433.92 | 434.02 | MHz |
| Modulation mode | | | FSK | | | |
| Sensitivity | | 1 Kbps / 50Ω | | -118 | | dBm |
| Bandwidth | | | | 200 | | KHz |
| Turn on time | Ton | | | | 9 | ms |
| Operating Voltage | VCC | | 3.5 | 5 | 5.75 | V |
| Operating current | IRC | | | | 6 | mA |
| Operating temperature | | | -40 | | 85 | °C |

Pin Dimension



1. ANT 2. GND 3. GND 4. VCC 5. VCC 6. DE 7. DATA 8. GND

(DE : Power Save Enable)

NOTE :

ET-RXB-3 Drive Current from Data-PIN is weak, **if directly connection with Driving Chip** which I/O can not connect Pull Up Resistor or Pull Down Resistor, Driving Chip inner Pull Up Resistor and Pull Down Resistor turn to Disabled State.