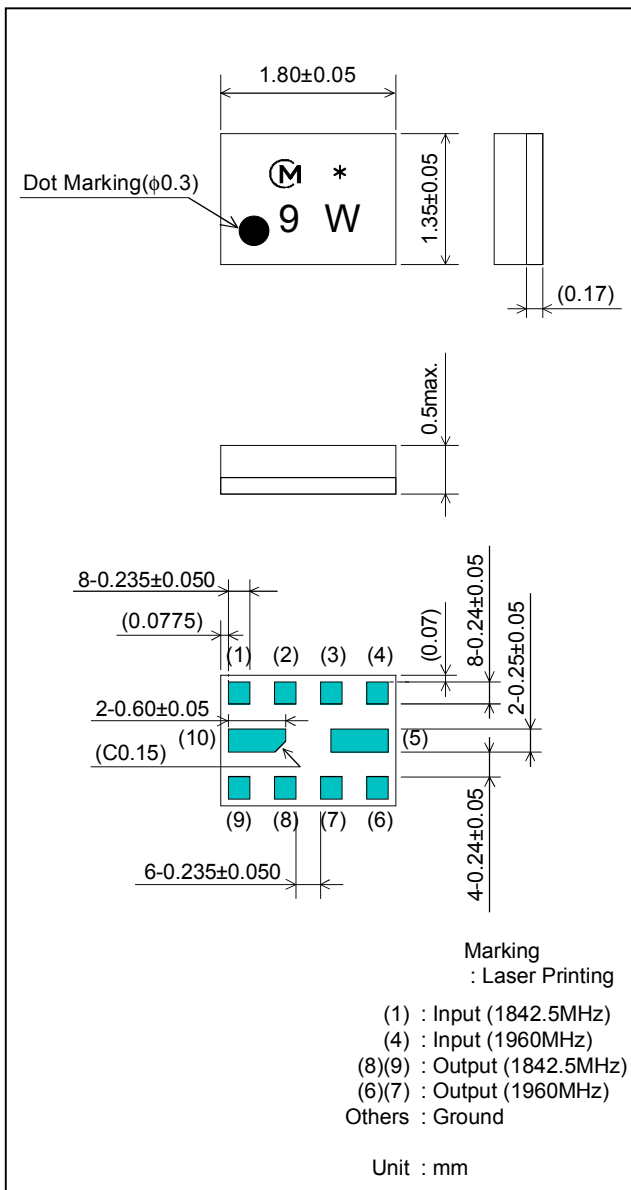


# SAW FILTER FOR GSM1800/GSM1900 (Rx)

Murata part number : SAWEN1G84CM0F00 (fc=1842.5MHz)

## Package Dimensions



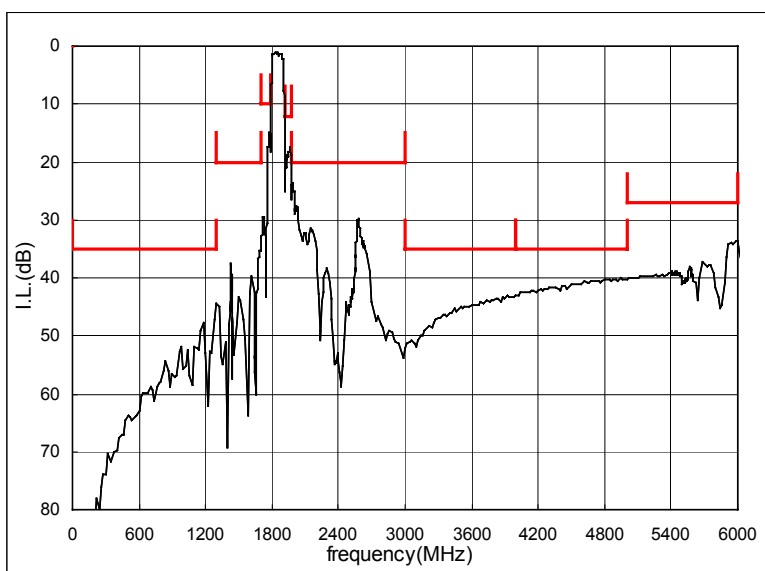
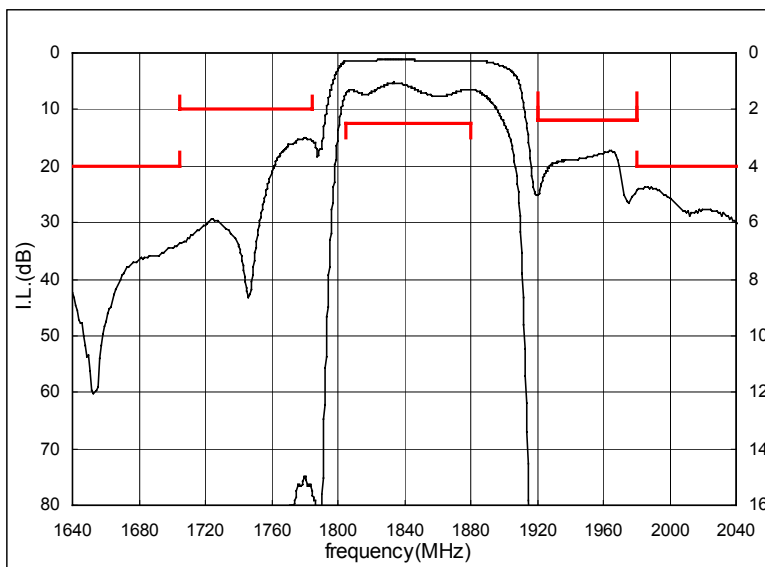
## Specification

Item	Specification		
	-30 to 85°C	25±2°C	typ.
Nominal Center Frequency(fc)	1842.5MHz		
Insertion Loss (1805 to 1880MHz)	2.5dB max.	1.8dB max.	1.6 dB
Absolute Attenuation			
1) 0.1 to 1300 MHz	35 dB min.	35 dB min.	44 dB
2) 1300 to 1705 MHz	20 dB min.	20 dB min.	33 dB
3) 1705 to 1785 MHz	10 dB min.	13 dB min.	15 dB
4) 1920 to 1980 MHz	12 dB min.	15 dB min.	17 dB
5) 1980 to 3000 MHz	20 dB min.	20 dB min.	23 dB
6) 3000 to 4000 MHz	35 dB min.	35 dB min.	42 dB
7) 4000 to 5000 MHz	35 dB min.	35 dB min.	40 dB
8) 5000 to 6000 MHz	27 dB min.	27 dB min.	33 dB
Ripple Deviation (1805 to 1880MHz)	1.8dB max.	1.0dB max.	0.5 dB
VSWR (1805 to 1880MHz)	2.2 max.	2.1 max.	1.9
Amplitude Balance (1805 to 1880MHz)	±1.5dB max.	±1.2dB max.	+0.8dB
Phase Balance (1805 to 1880MHz)	180±12deg. max.	180±10deg. max.	180+5deg.
Input Impedance (nominal)	50Ω		
Output Impedance (nominal)	150Ω//15nH		

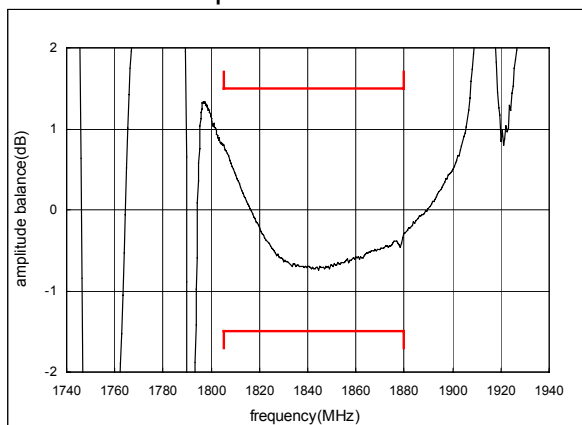
# SAW FILTER FOR GSM1800/GSM1900 (Rx)

Murata part number : SAWEN1G84CM0F00 (fc=1842.5MHz)

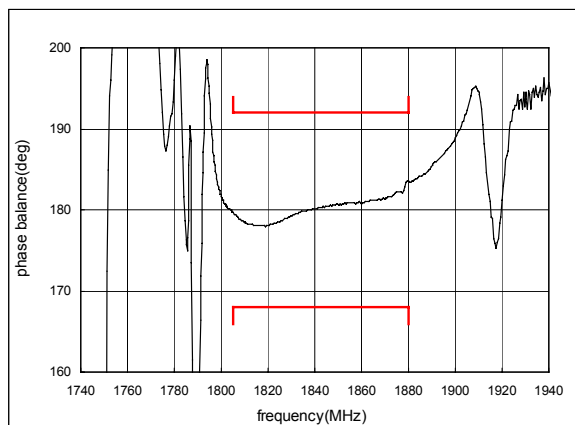
## Frequency Performance



Amplitude balance



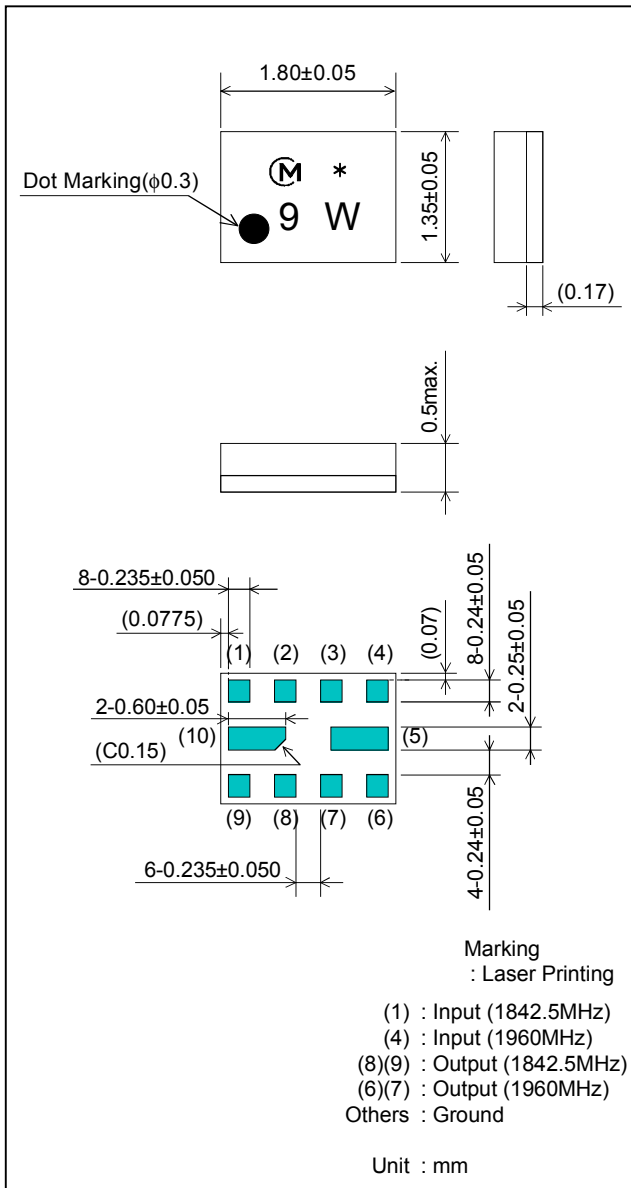
Phase balance



# SAW FILTER FOR GSM1800/GSM1900 (Rx)

Murata part number : SAWEN1G84CM0F00 (fc=1960MHz)

## Package Dimensions



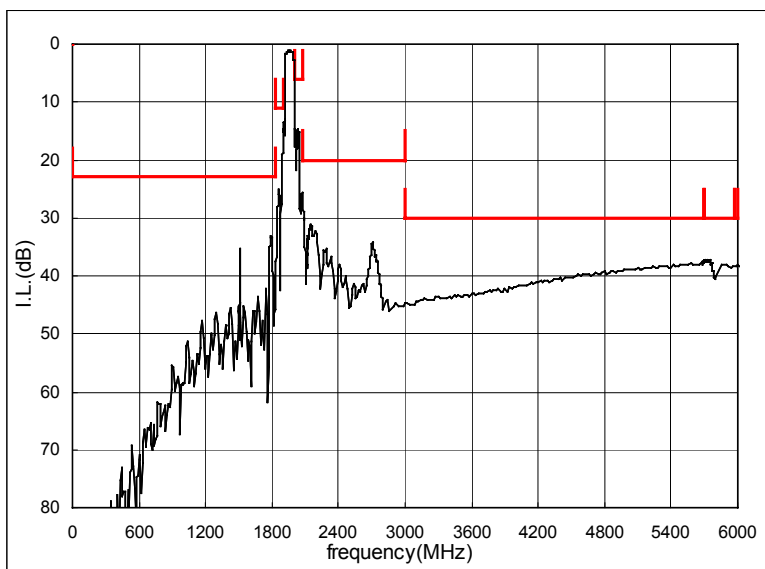
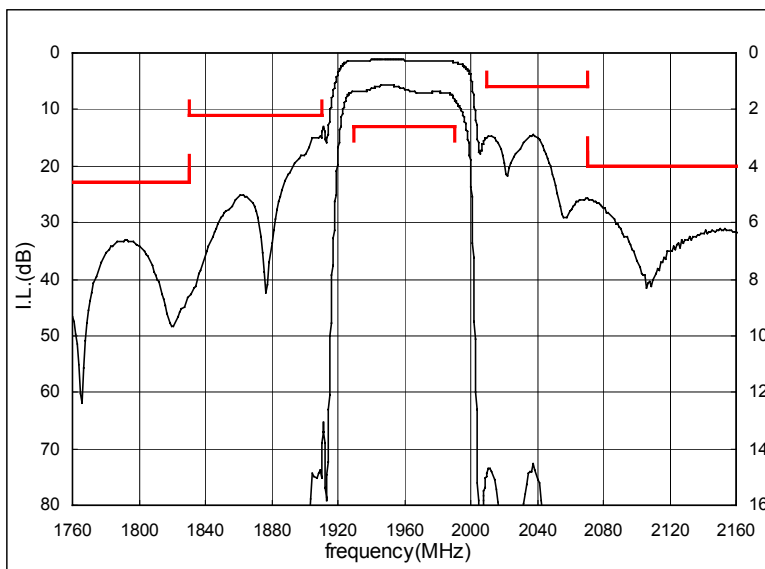
## Specification

Item	Specification		
	-30 to 85°C	25±2°C	typ.
Nominal Center Frequency(fc)	1960MHz		
Insertion Loss (1930 to 1990MHz)	2.6dB max.	2.0dB max.	1.6 dB
Absolute Attenuation			
1) 0.1 to 1830 MHz	23 dB min.	23 dB min.	33 dB
2) 1830 to 1910 MHz	11 dB min.	11 dB min.	14 dB
3) 2010 to 2070 MHz	6 dB min.	12 dB min.	14 dB
4) 2070 to 3000 MHz	20 dB min.	20 dB min.	25 dB
5) 3000 to 5700 MHz	30 dB min.	30 dB min.	37 dB
6) 5700 to 5970 MHz	30 dB min.	30 dB min.	37 dB
7) 5970 to 6000 MHz	30 dB min.	30 dB min.	38 dB
Ripple Deviation (1930 to 1990MHz)	1.8dB max.	1.0dB max.	0.5 dB
VSWR (1930 to 1990MHz)	2.2 max.	1.8 max.	1.6
Amplitude Balance (1930 to 1990MHz)	±2.0dB max.	±1.8dB max.	+0.9dB
Phase Balance (1930 to 1990MHz)	180±12deg. max.	180±12deg. max.	180-5deg.
Input Impedance (nominal)	50Ω		
Output Impedance (nominal)	150Ω//22nH		

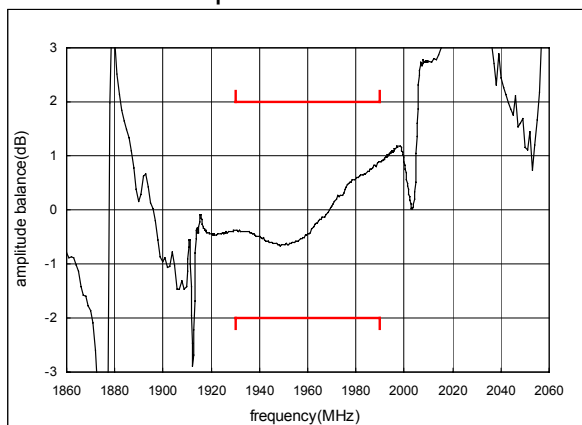
# SAW FILTER FOR GSM1800/GSM1900 (Rx)

*Murata part number : SAWEN1G84CM0F00 (fc=1960MHz)*

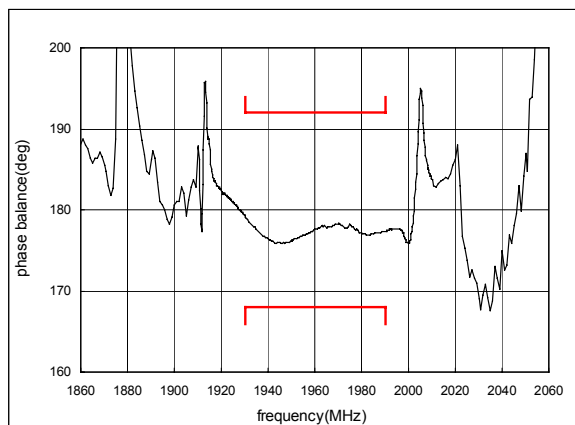
## Frequency Performance



**Amplitude balance**



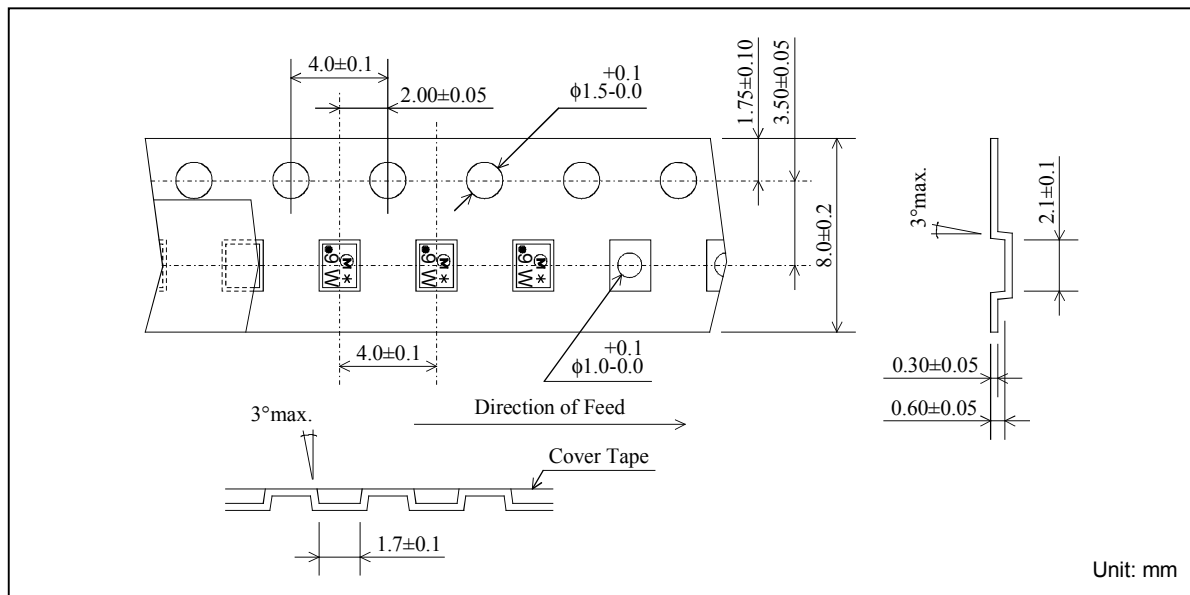
**Phase balance**



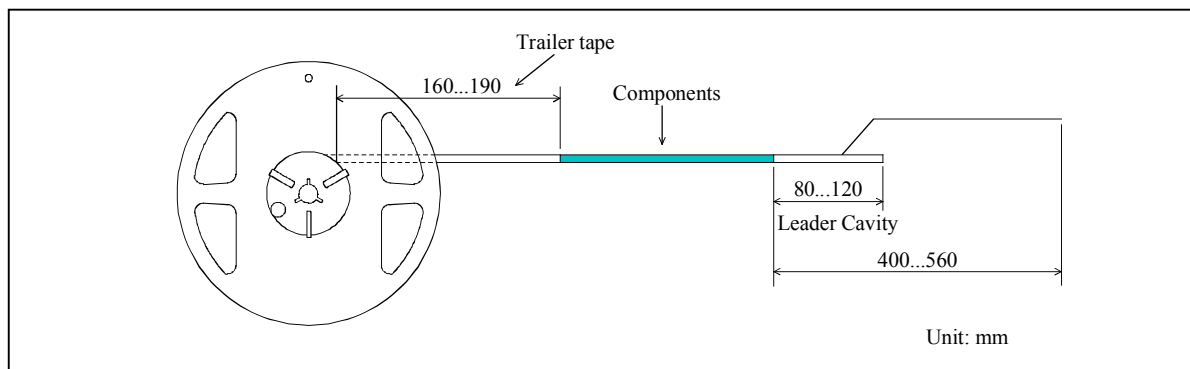
# SAW FILTER FOR GSM1800/GSM1900 (Rx)

Murata part number : SAWEN1G84CM0F00

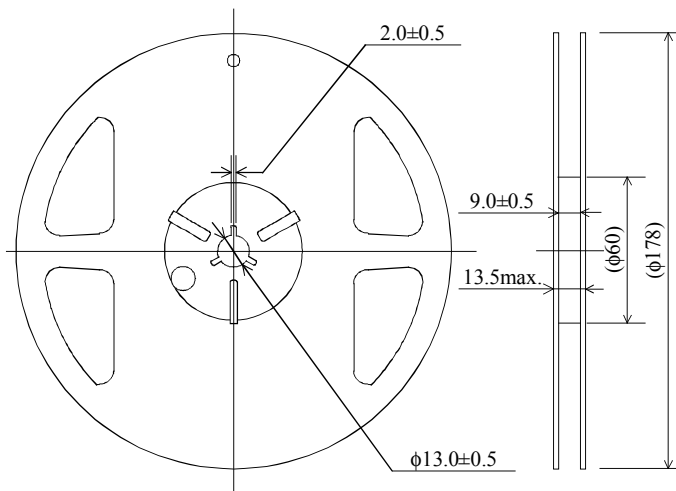
## Dimensions of Carrier Tape



## Dimensions of Tape



## Dimensions of Reel

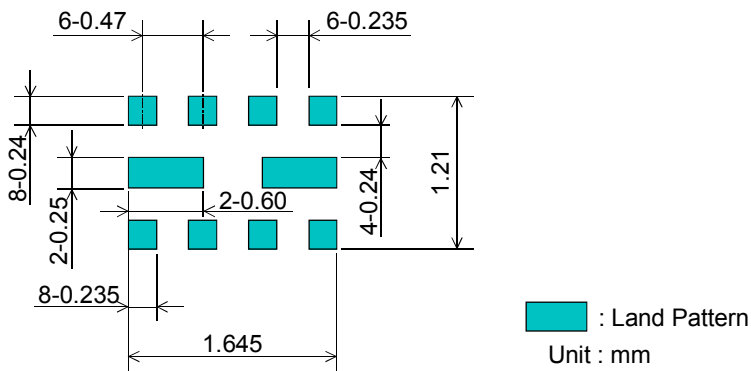


SAWEN1G84CN0F00R14 ... 4000pcs/reel  
SAWEN1G84CN0F00R12 ... 2000pcs/reel

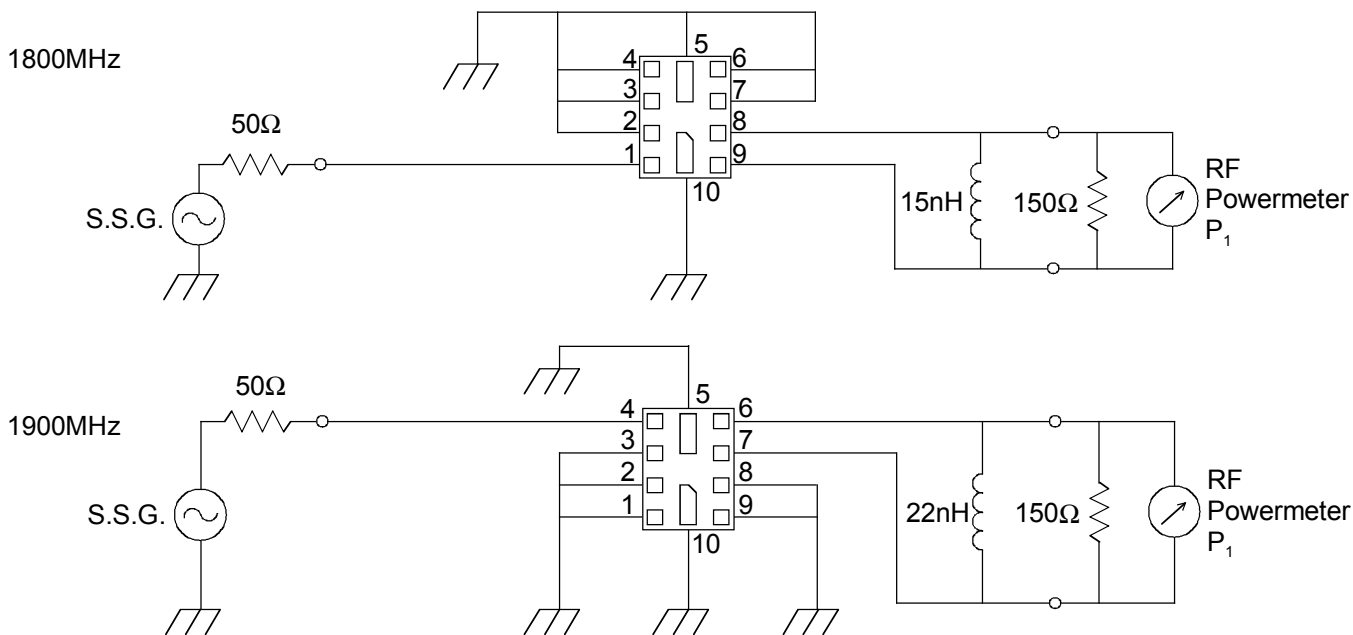
# SAW FILTER FOR GSM1800/GSM1900 (Rx)

Murata part number : SAWEN1G84CM0F00

## Recommended Land Pattern



## Test Circuit



- This PDF Datasheet is downloaded from the website of Murata Manufacturing Co., Ltd. Therefore, it's specifications are subject to change or our products in it may be discontinued without advance notice. Please check with our sales representatives or product engineers before ordering.
- This PDF Datasheet has only typical specifications because there is no space for detailed specifications. Therefore, please approve our product specifications or transact the approval sheet for product specifications before ordering.