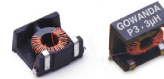
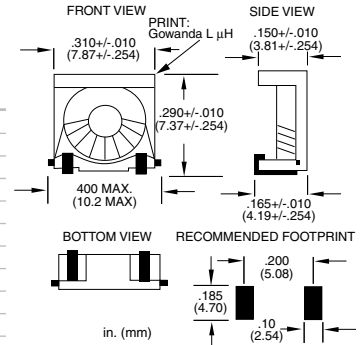


SMRF2007LF RoHS Vertical Mount RF Inductors



PART NUMBER	L μH ± 20%	TEST FREQ MHz	DCR MAX	SRF MIN MHz	SATURATION CURRENT* DC mA	CURRENT RATING** DC mA
SMRF2007-100MLF	.10	10	.019	1292	4500	3100
SMRF2007-220MLF	.22	10	.029	624	3000	2510
SMRF2007-470MLF	.47	10	.040	321	2000	2130
SMRF2007-680MLF	.68	10	.059	214	1600	1760
SMRF2007-101MLF	1.0	10	.062	180	1400	1710
SMRF2007-151MLF	1.5	10	.072	125	1200	1590
SMRF2007-181MLF	1.8	10	.077	114	1000	1540
SMRF2007-271MLF	2.7	1	.088	86	900	1440
SMRF2007-331MLF	3.3	1	.096	82	800	1380
SMRF2007-391MLF	3.9	1	.10	78	700	1350
SMRF2007-561MLF	5.6	1	.12	64	600	1230
SMRF2007-681MLF	6.8	1	.17	58	540	1040
SMRF2007-821MLF	8.2	1	.24	51	490	871
SMRF2007-102MLF	10	1	.26	51	440	873
SMRF2007-122MLF	12	1	.36	45	400	711
SMRF2007-152MLF	15	1	.52	45	340	592
SMRF2007-182MLF	18	1	.64	34	310	533
SMRF2007-222MLF	22	1	.22	25	98	909
SMRF2007-272MLF	27	1	.25	25	88	853
SMRF2007-332MLF	33	1	.33	25	78	743
SMRF2007-392MLF	39	1	.47	24	72	622
SMRF2007-472MLF	47	1	.55	20	60	575



NOTES:

- Operating temperature -55°C to +125°C
- *Saturation current is the approximate value that will reduce the initial inductance by 10%
- **Rated current is based on a 35°C temperature rise at an ambient temperature of 90°C.

TAPE AND REEL SPECS:

Pcs./Reel maximum:	700
Pitch between parts:	12 mm
Tape width:	24 mm
Reel diameter inches:	13

**Q VS. FREQUENCY
SMRF2007 SERIES**

