

RF Distributor / RF Splitter



The two-frequency RF distributor is designed to divide RF (radio frequency) signal sent from the antenna into two frequency outputs.

Features

1. The WEA1190-0305 is a two-frequency RF distributor for sets with two built-in tuners. It is ideal for TVs and camcorders that have a picture-in-picture or two-screen feature. (The model designed for PAL specifications and one with a simplified booster are also available.)
2. The WEA1190-0407 is a small shunting device that divides RF (radio frequency) signal into two outputs: main output and sub output. It is helpful for space reduction of sets.

Products Variation

Part No.	I/O Specifications	Frequency Range	Typical Use	
			TV	TV with VTR
WEA1190-0305	RF distributor Input-F type receptacle Output1-RF pin jack Output2-RF pin jack	50~300MHz 470~780MHz	○	○
WEA1190-0402	RF distributor Input-F type receptacle Output1-RF pin jack Output2-RF pin jack	90~470MHz 470~770MHz	○	○
WEA1190-0406	RF distributor Input-F type receptacle Output1-Pin plug Output2-Pin jack	90~780MHz	○	○
WEA2190-0501	RF distributor Input-PAL receptacle Output1-Pin jack Output2-Pin jack	50~870MHz	○	○
WEA1190-0407	RF splitter Input-F type receptacle Output1-Pin plug Output2-Pin jack	50~800MHz	○	○

RF Distributor / RF Splitter

Specifications

Item \ Part No.	WEA1190-0305		WEA1190-0402		WEA1190-0406	
(MHz) Frequency Range	50~300	470~780	90~470	470~770	90~470	470~780
I/O Impedance	75Ω unbalance					
Loss (dB) max.	4.0	5.0	4.0	5.0	4.0	5.0
VSWR max.	2.0	2.5	2.5	2.5	2.5	3.0
(dB) Isolation min.	15	10	15	10	15	

With a Simplified Booster

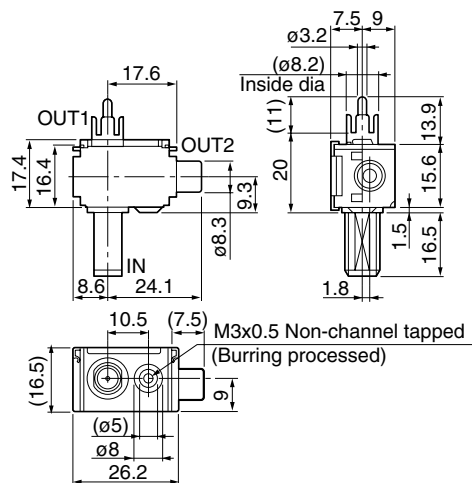
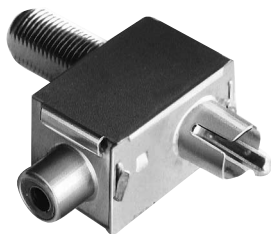
Item \ Part No.	WEA2190-0501		
Gain	0.5~5dB		
VSWR	50~230MHz 2 max.	230~870MHz 3 max.	
Isolation	50~700MHz 15dB min.	700~810MHz 10dB min.	810~870MHz 8dB min.
NF	6FdB max.		

Splitter

Item \ Part No.	WEA1190-0407	
Frequency Range	50~800MHz	
Loss	IN-MAIN OUT	4dB max.
	IN-SUB OUT	9dB max.
VSWR	3 max.	
Isolation	90~220MHz 20dB min.	220~800MHz 15dB min.

RF Distributor

WEA1190-0406



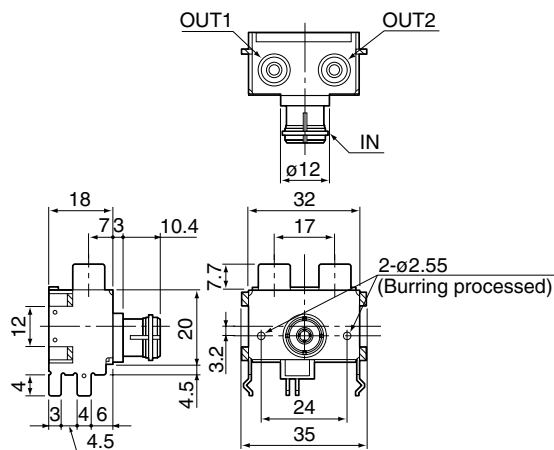
Frequency Range	90 ~ 780MHz	
Loss	90~470MHz	4.0dB
	470~780MHz	5.0dB
VSWR	90~470MHz	2.5
	470~780MHz	3.0
Isolation	15dB	

※ Output is at a pin plug and can be directly connected with a TV tuner. Its compact design contributes to space reduction.

WEA2190-0501



With a Simplified Booster(PAL)



Frequency Range	50 ~ 870MHz	
Gain	0.5~5.0dB	
VSWR	50~270MHz	2.0
	238~870MHz	3.0
Isolation	50~700MHz	15dB
	700~810MHz	10dB
	810~870MHz	8dB
NF	6.0FdB	

※ Ideal for sets used in lower electric field strength areas.

