

102TL2263 SERIES

CATALOG LISTING
M 102TL2263 SERIES CHART 1
 PAGE 1 OF 1

CHECK

CHECK

10JUN94

ANSI Y14.5M-1982 APPLIES

MICRO SWITCH
 a Honeywell Division

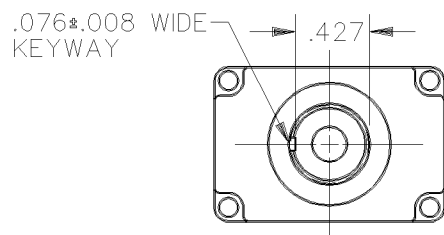
FED. MFG. CODE 91929

SWITCH-TOGGLE

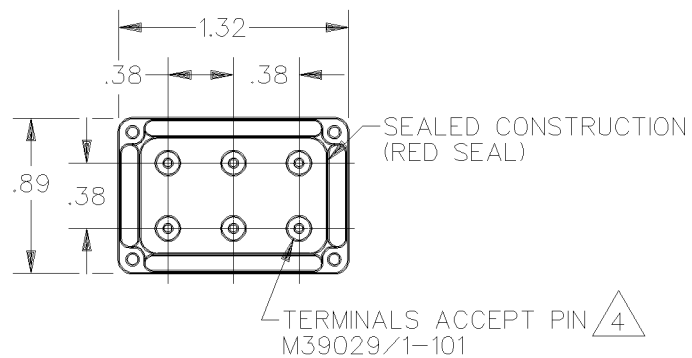
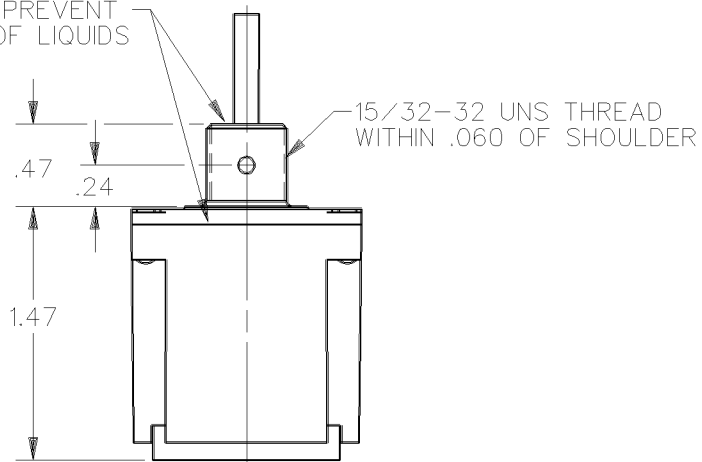
CATALOG LISTING
 102TL2263 SERIES

CHART 1

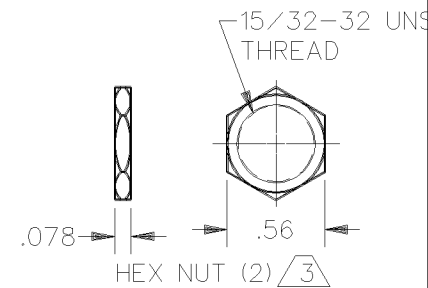
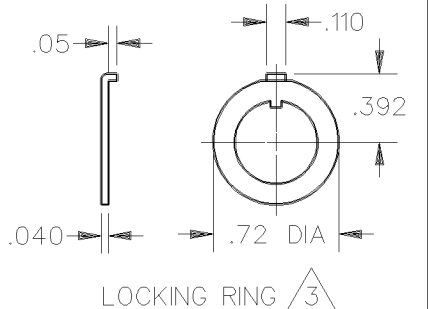
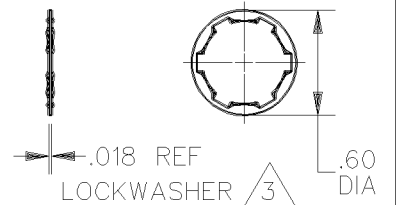
THIS DRAWING COVERS A PROPRIETARY ITEM AND IS THE PROPERTY OF MICRO SWITCH, A DIVISION OF HONEYWELL. THIS DRAWING IS NOT TO BE COPIED OR USED WITHOUT THE APPROVAL OF MICRO SWITCH



SEALED TO PREVENT ENTRANCE OF LIQUIDS OR DUST

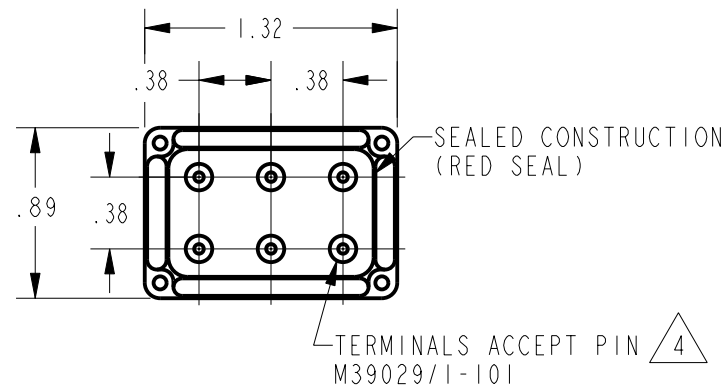
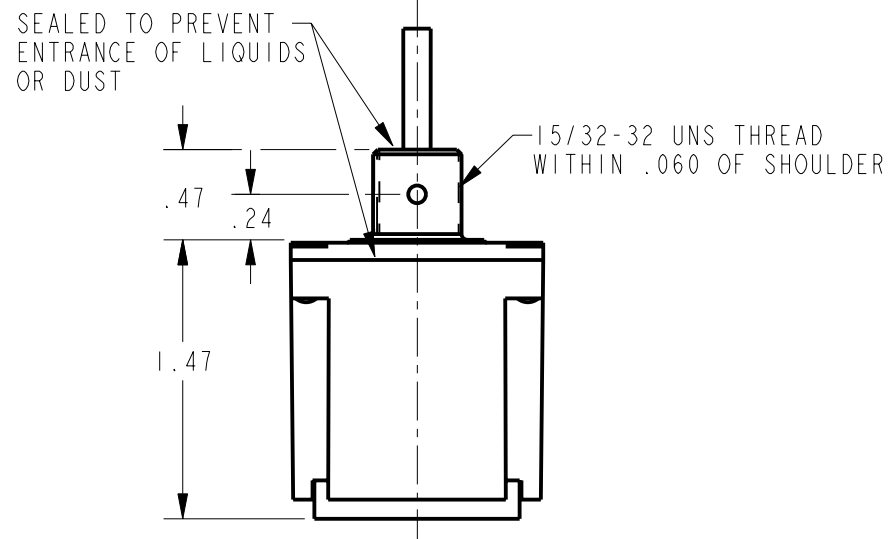
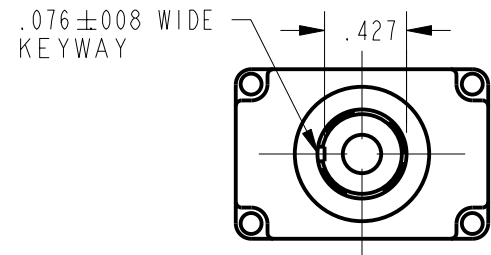


CATALOG LISTING	CIRCUIT MADE WITH TOGGLE LEVER IN			CURRENT CAPACITY (AMPS)								
	KEYWAY SIDE (1-2, 4-5)	CENTER (1-2, 4-5)	OPPOSITE KEYWAY (2-3, 5-6)	RESISTIVE LOAD		LAMP LOAD	INDUCTIVE LOAD					
				DC VOLTS	AC VOLTS		VDC	VAC	VDC	VAC		
102TL2263-7	MOM ON	OFF	MOM ON	.75	.75	.5	.75	6	5	2	7.5	7.5



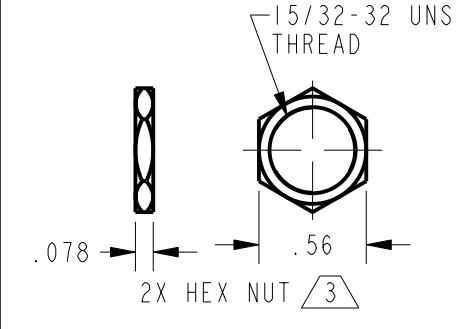
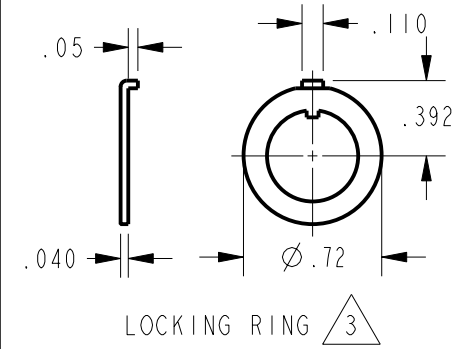
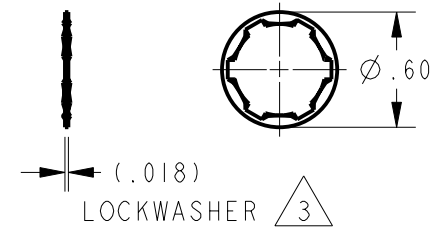
- NOTES
- 1 - SWITCHES ARE CAPABLE OF WITHSTANDING A TEMPERATURE OF 160°F CONTINUOUSLY AT FULL RATED LOAD
 - 2 - CIRCUIT DESIGNATION AND MICRO SWITCH CATALOG LISTING STAMPED ON SIDE OF SWITCH
 - 3 - FURNISHED UNASSEMBLED
 - 4 - THE SEALING GROMMET SHALL SEAL ON A SMOOTH WIRE INSULATION OF .040 TO .083 DIAMETER (16-20 GAGE)
 - 5 - APPLIES TO "ON" AND "MOMENTARY ON" POSITIONS
 - 6 - UNUSED TERMINAL HOLES MAY BE SEALED WITH PLUGS M83723/28-20
 - 7 - SWITCHES MEET THE APPLICABLE REQUIREMENTS OF MIL-S-3950

THIRD ANGLE PROJECTION	
SCALE	FULL
DO NOT SCALE PRINT	
UNLESS OTHERWISE SPECIFIED TOLERANCES ARE	
ONE PLACE	(.0) ±.030
TWO PLACE	(.00) ±.015
THREE PLACE	(.000) ±.005
ANGLES	±
WEIGHT	.17 LB MAX



CATALOG LISTING	CIRCUIT MADE WITH TOGGLE LEVER IN $\triangle 5$		
	KEYWAY SIDE (1-2, 4-5)	CENTER (1-2, 4-5)	OPPOSITE KEYWAY (2-3, 5-6)
	102TL2263-7	MOM ON	OFF

CURRENT CAPACITY (AMPS)								
RESISTIVE LOAD				LAMP LOAD		INDUCTIVE LOAD		
DC VOLTS	AC VOLTS	AC VOLTS	AC VOLTS	28 VDC	125 VAC	28 VDC	125 VAC	
28	125	250	125	250	28	125	28	125
.75	.75	.5	.75	6	5	2	7.5	7.5



- NOTES
- SWITCHES ARE CAPABLE OF WITHSTANDING A TEMPERATURE OF 160°F CONTINUOUSLY AT FULL RATED LOAD
 - CIRCUIT DESIGNATION AND MICRO SWITCH CATALOG LISTING STAMPED ON SIDE OF SWITCH
 - FURNISHED UNASSEMBLED
 - THE SEALING GROMET SHALL SEAL ON A SMOOTH WIRE INSULATION OF .040 - .083 ϕ (16-20 GAGE)
 - APPLIES TO "ON" AND "MOMENTARY ON" POSITIONS
 - UNUSED TERMINAL HOLES MAY BE SEALED WITH PLUGS M83723/28-20
 - SWITCHES MEET THE APPLICABLE REQUIREMENTS OF MIL-S-3950

THIRD ANGLE PROJECTION

SCALE FULL

DO NOT SCALE PRINT

UNLESS OTHERWISE SPECIFIED TOLERANCES ARE

ONE PLACE	(.0)	±.030
TWO PLACE	(.00)	±.015
THREE PLACE	(.000)	±.005
ANGLES		±

WEIGHT .17 LB MAX