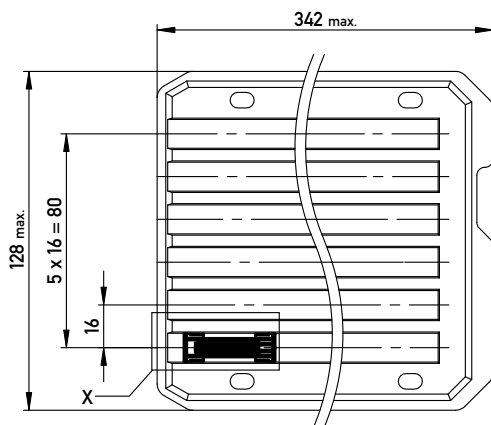
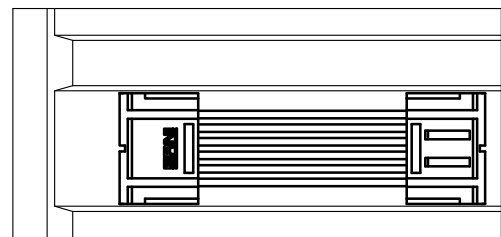


Verpackt in Tray -tray packaging
Verpackungseinheit 54 Stück -packaging unit 54



Einzelheit X (M 2:1)
detail X



Adapterstück für board-to-board Abstand von 36mm (beidseitig verbaut mit Federleiste: 154805, Low Profile)
Adapter for board-to-board height 36mm (in combination with two female connectors: 154805, low profile)

| | | | | | |
|--|---|--|-----------------------------|--|--------|
| Copyright by ERNI GmbH Proprietary notice pursuant to ISO 16016 to be observed. | Information: | Tolerances | All Dimensions in mm | Scale | 3:1 |
| | All rights reserved. Only for Information. To ensure that this is the latest version of this drawing, please contact one of the ERNI companies before using. | Subject to modification without prior notice. Drawing will not be updated. | Designation | 1,27 DRC Adapterstück BTB 36mm <i>12-polig</i> | |
| E01 | 25.06.2008 | | www.ERNI.com | 364102 | |
| Index | Date | | | Class | DRCBTB |
| | | | | | I |
| | | | | | A3 |