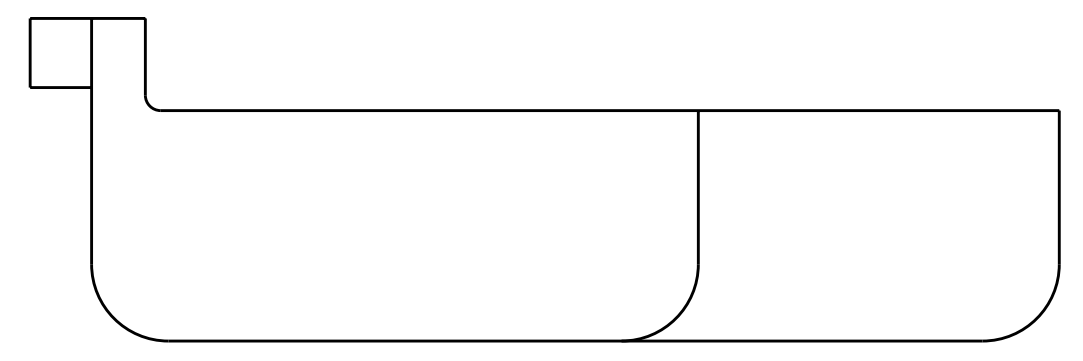
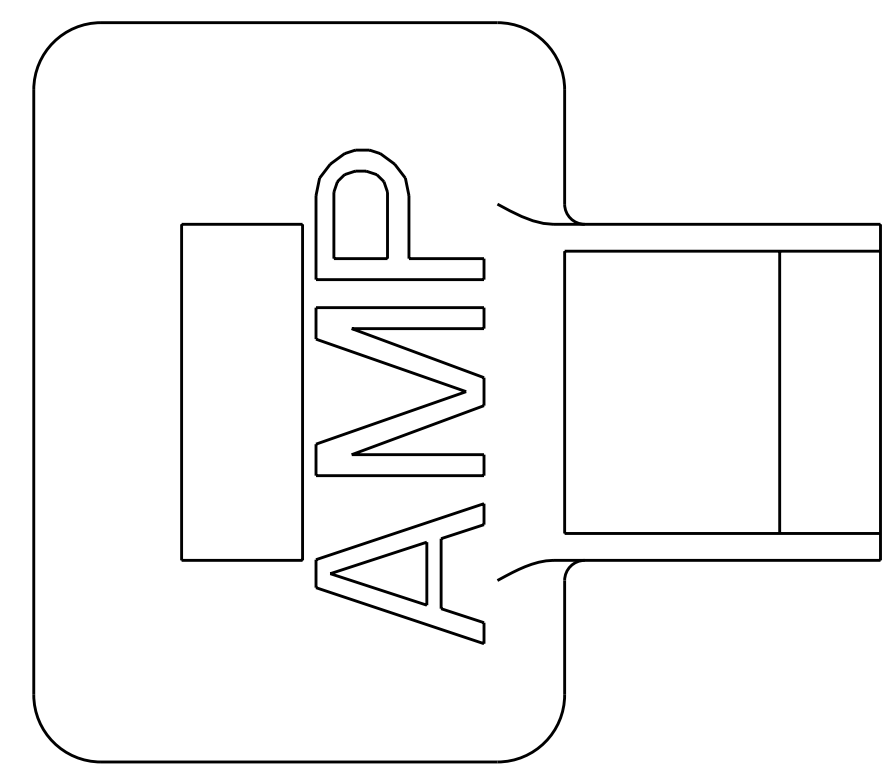
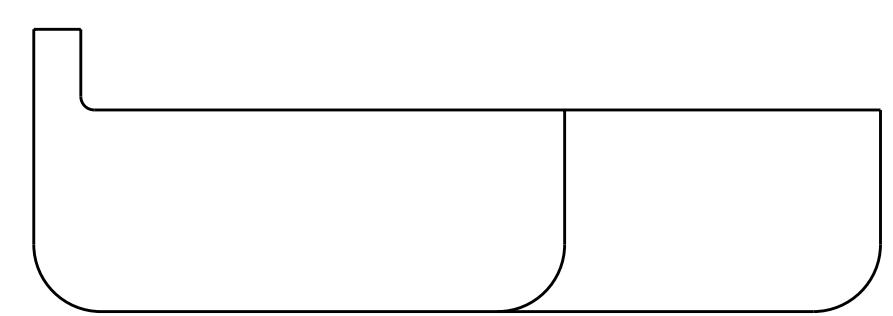
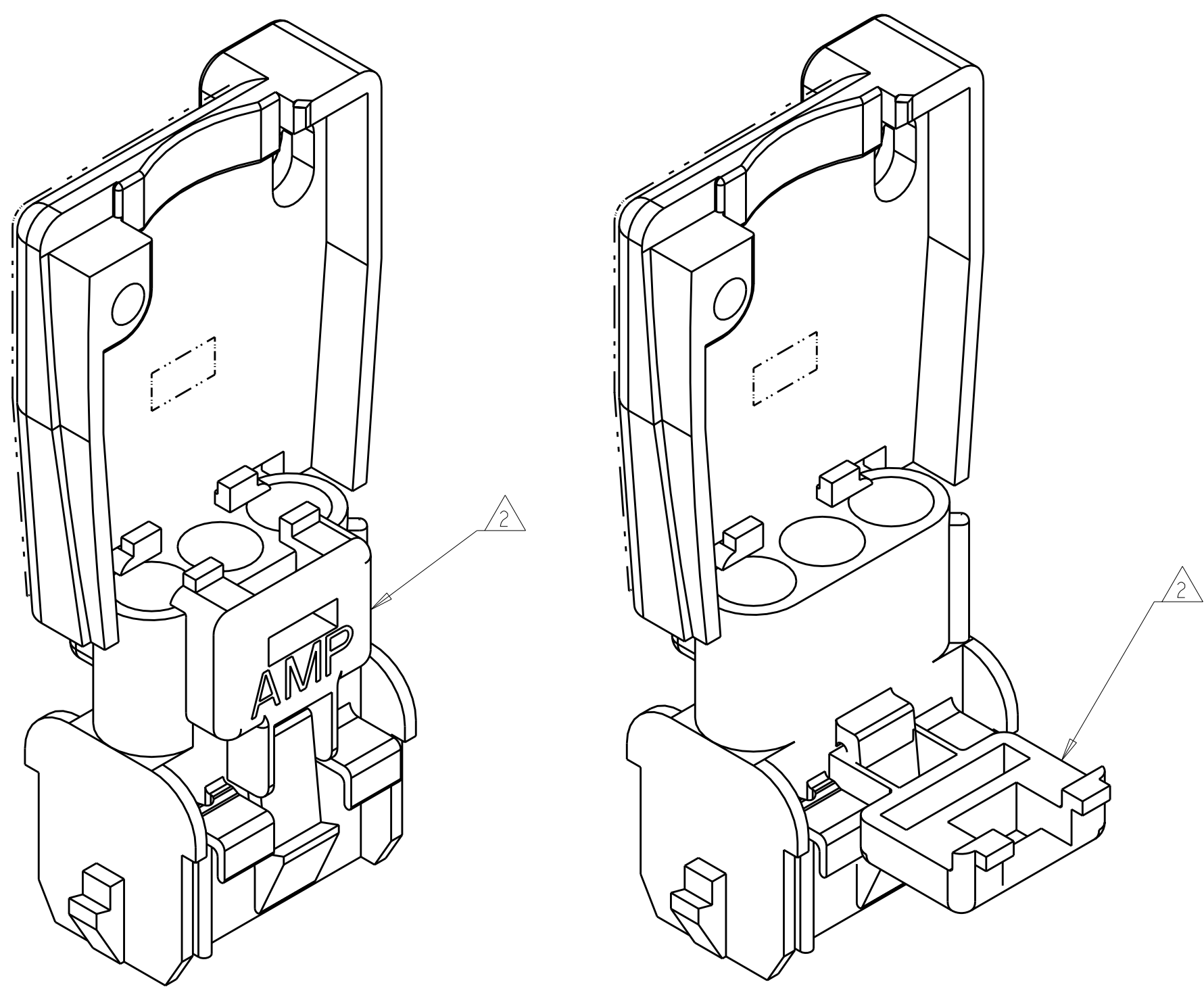
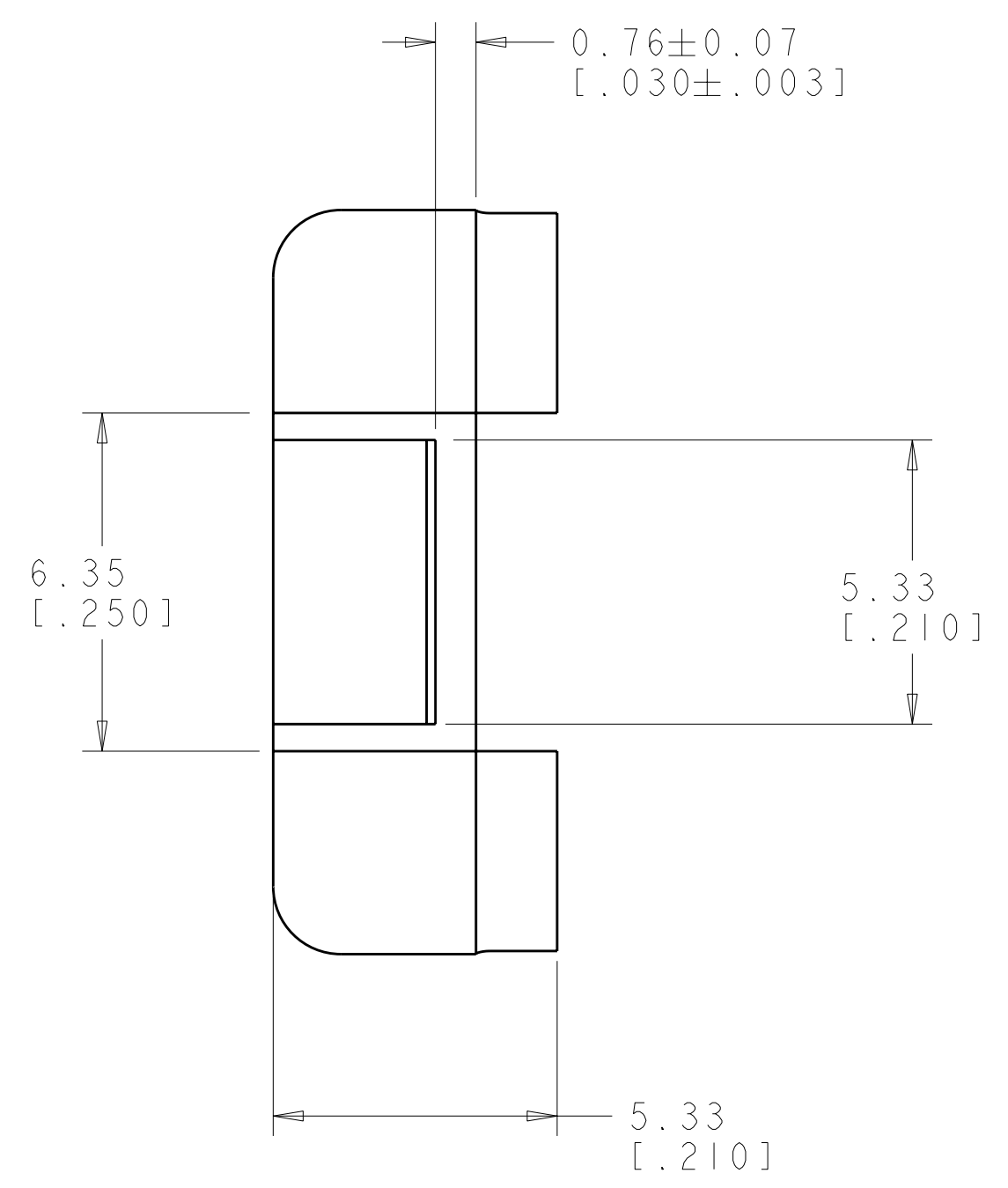
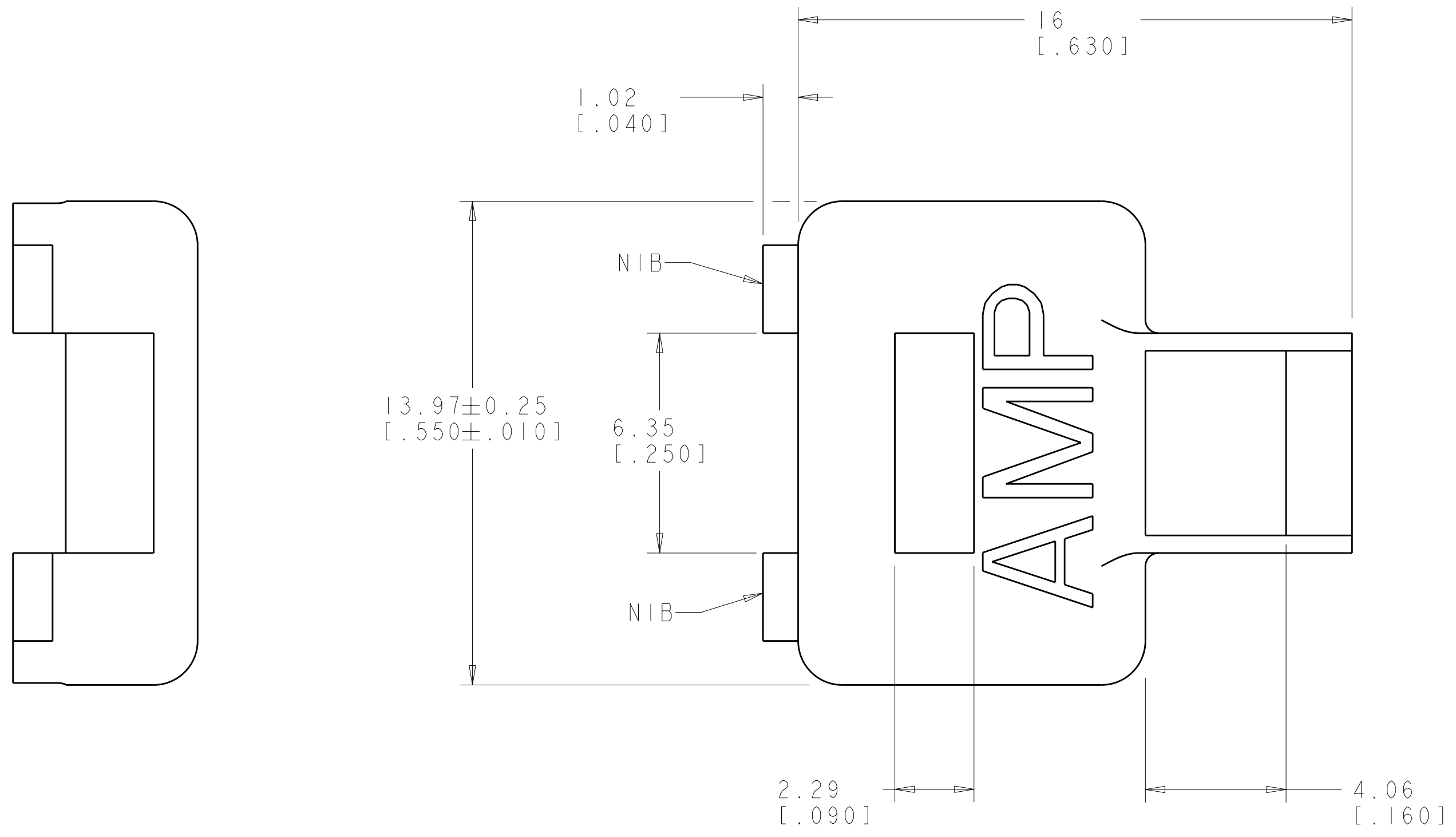


LOC	DIST	REVISIONS			
CM	00	REV	DATE	BY	APPD
		F2	16MAR2007	KW	DC



- FOR USE WITH 3, 4, 9, 12, AND 15 CIRCUIT CAP HOUSINGS AND APPROPRIATE STRAIN RELIEF (ENCLOSED VERSION).
- ADAPTER ATTACHES TO CAP HOUSING AS SHOWN PROVIDING FEATURE TO ATTACH STRAIN RELIEF.
- MATERIAL: NYLON UL94V-2.



ALTERNATE STYLE
641777-2

VOLUME IN ³	COLOR	USAGE	STYLE	PART NO.
0.0239	BLACK	FOR STRAIN RELIEF	AS SHOWN (WITH NIBS)	641777-9
0.0239	GRAY	FOR STRAIN RELIEF	AS SHOWN (WITH NIBS)	641777-8
0.0236	NATURAL	FOR STRAIN RELIEF	ALTERNATE (WITHOUT NIBS)	641777-2
0.0239	NATURAL	FOR ASSEMBLY MODULE	AS SHOWN (WITH NIBS)	641777-1

DIMENSIONS: mm [INCHES]		TOLERANCES UNLESS OTHERWISE SPECIFIED: 9 PLC ± 8 PLC ±0.13 (.005) 5 PLC ± 4 PLC ± ANGLES ±40° 30'		DWN R. WHITAKER 16MAR2007 CHK D. COLEY 16MAR2007 APVD D. COLEY 16MAR2007		Tyco Electronics Harrisburg, PA 17105-3608	
MATERIAL: 3		FINISH:		NAME: ADAPTER, STRAIN RELIEF, UNIVERSAL MATE-N-LOK(TM) (FOR CAP HOUSING)		RESTRICTED TO:	
CUSTOMER DRAWING		SCALE: 8:1		SHEET 1 OF 1		REV F2	

