



REV A January 2011

Oscilent Controlled Document

Ordering Code / Part Number	Product Description
835-IF115.0M-18A	15.0 MHz IF SAW Filter 18.45 MHz Bandwidth

Specification Contents

- o Mechanical Dimensions
- o Test Circuit
- o Maximum Ratings
- o Electrical Specification
- o Frequency Response
- o Smith Chart
- o VSWR

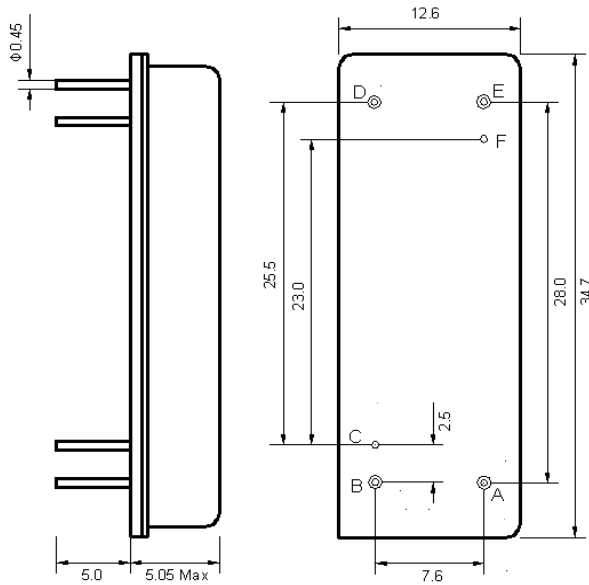
Notes

- o Electrostatic Sensitive Device (ESD) 
- o Avoid excessive ultrasonic exposure
- o Solderability compatible with JEDEC J-STD-020C Pb-free process, 260°C peak reflow temperature
- o This product complies with EU directive 2002/95/EC (RoHS compliance)



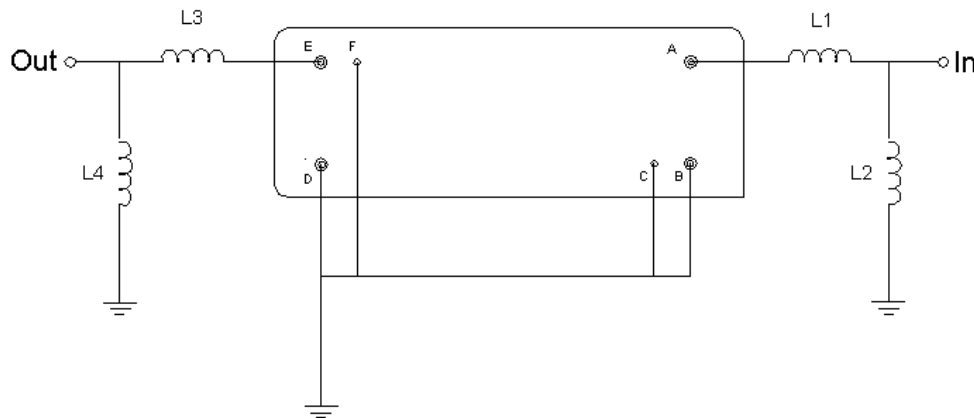


Mechanical Dimensions (mm)



Pin Description	
B, C, D, F	Ground
A	In
E	Out

Test Circuit



Test Fixture & Values	
Input	L1 = 18 nH, L2 = 27 nH
Output	L3 = 18 nH, L4 = 27 nH
Source/Load Impedance	50 Ω

**Maximum Ratings**

Parameters Description	Unit	Minimum	Typical	Maximum
Operating Temperature Range	°C	-20	-	70
Storage Temperature Range	°C	-40	-	85
Maximum DC Voltage	V	-	-	10
Maximum Input Power	dBm	-	-	10
Source Impedance (single ended) ⁽¹⁾	Ω	-	50	-
Load Impedance (single ended) ⁽¹⁾	Ω	-	50	-

Notes: With Matching Network (Ref. Testing Environment Circuit as shown above).

Those impedances could be modified with different impedance values and/or structures, if necessary.

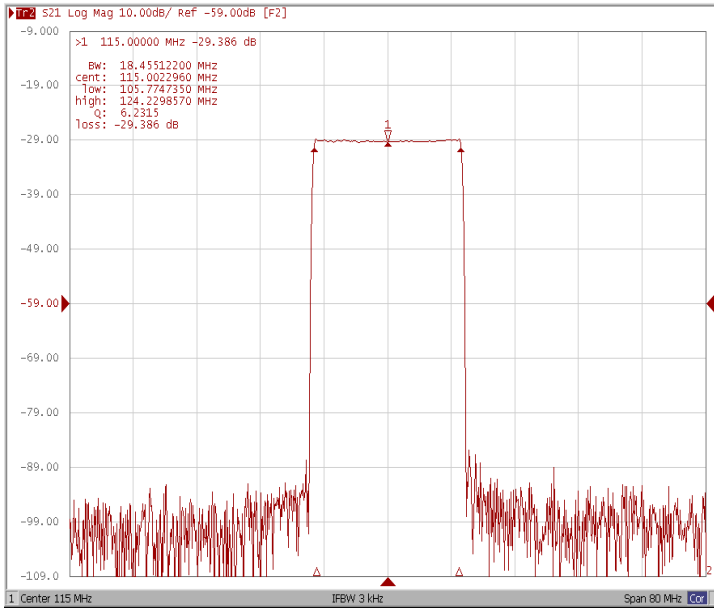
Electrical Specification

Parameters Description	Unit	Minimum	Typical	Maximum
Center Frequency (Fo)	MHz	114.9	115.0	115.1
Insertion Loss at Fo	dB	-	29.5	32.0
Group Delay Variation	nsec	-	45	80
Absolute Delay at Fo	usec	-	4.37	-
Passband Ripple Variation	dB	-	0.6	1.0
Bandwidth at -1dB	MHz	18.40	18.45	-
Bandwidth at -3dB	MHz	18.60	18.65	-
Bandwidth at -40dB	MHz	-	19.50	19.60
Bandwidth at -50dB	MHz	-	19.60	19.75
Ultimate Rejection	dB	50	55	-
Temperature Coefficient	ppm/°C	-	-18	-

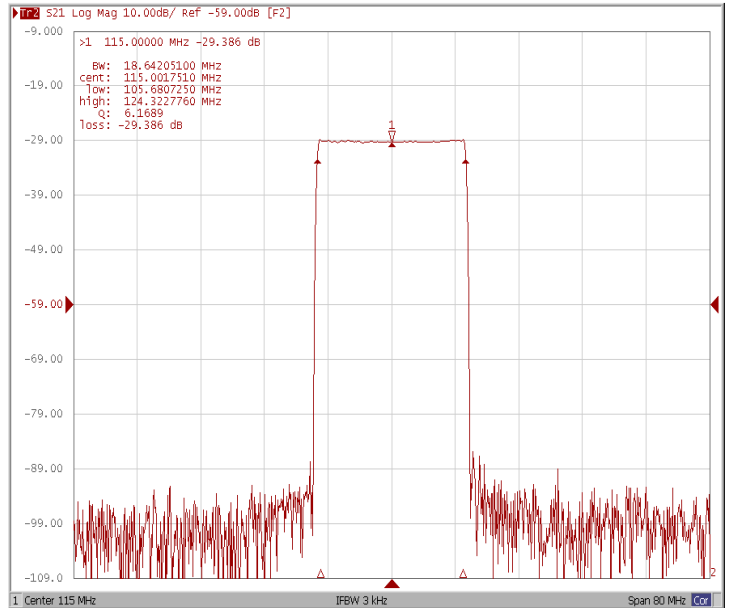


Frequency Response

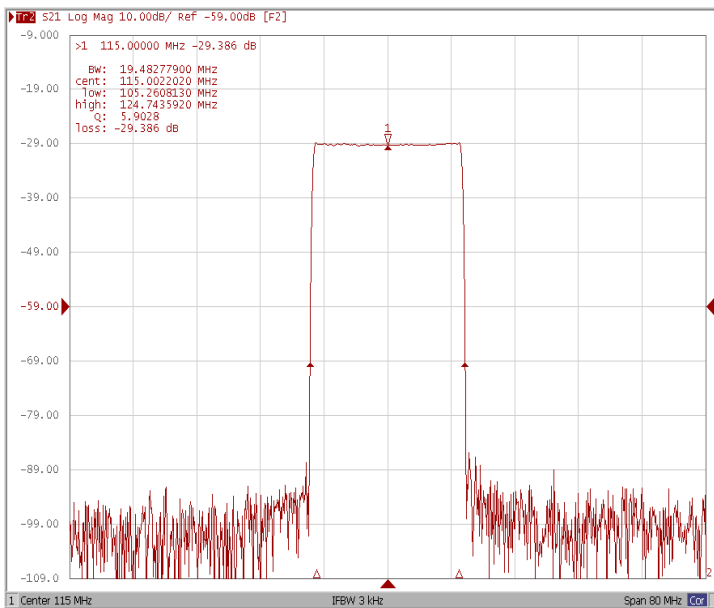
Bandwidth at -1.0 dB



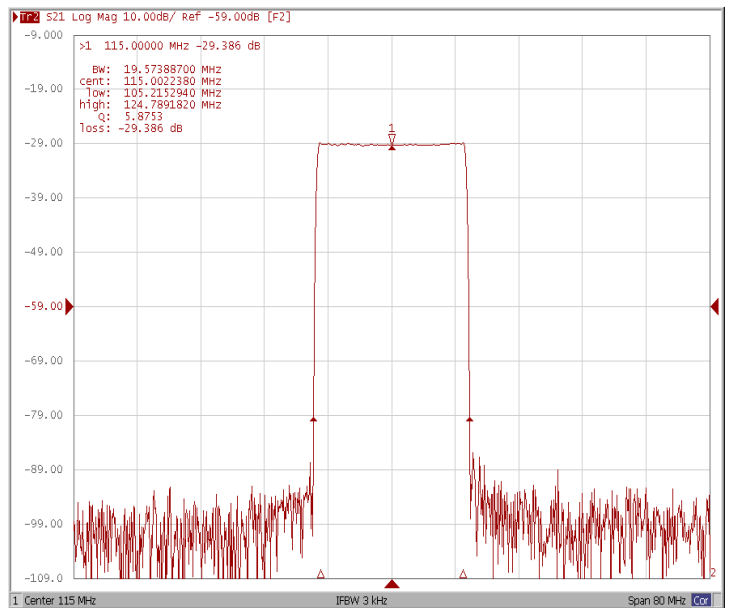
Bandwidth at -3.0 dB



Bandwidth at -40.0 dB

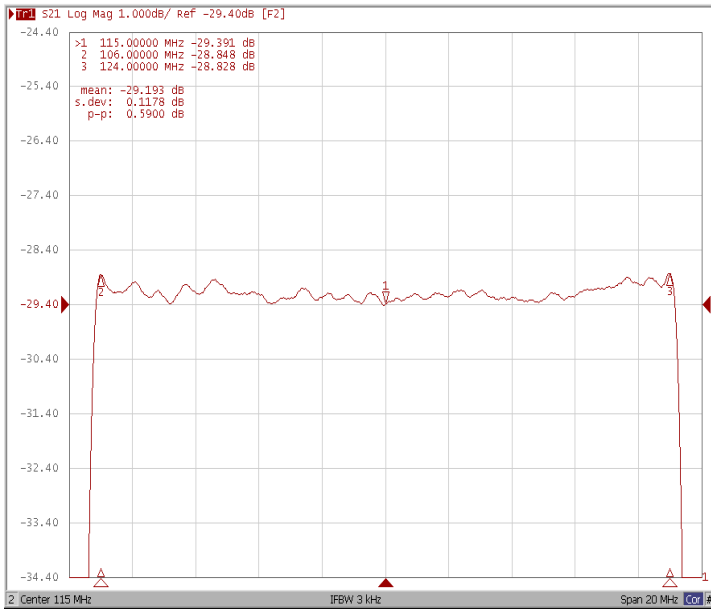


Bandwidth at -50.0 dB

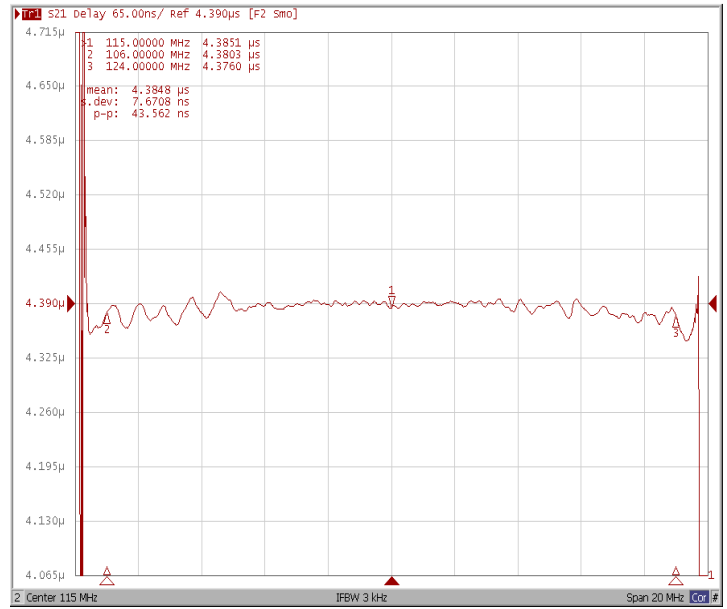




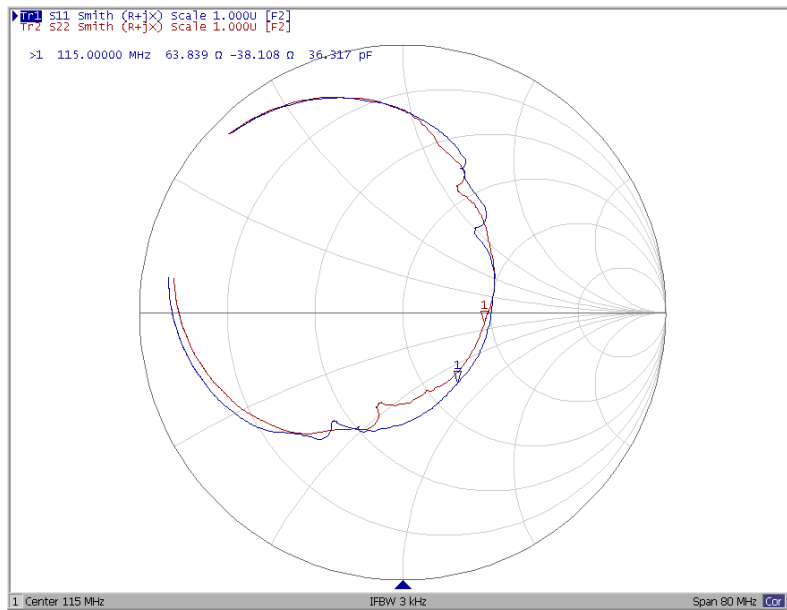
Ripple Variation



Group Delay Variation



Smith Chart





VSWR

