

4-BIT SINGLE CHIP MICROCOMPUTERS

ADAM41P272X

USER`S MANUAL

- ADAM41P2727 (Including I.R. LED Drive Tr.)
- ADAM41P2723 (Including I.R. LED Drive Tr.)
- ADAM41P2721 (Including I.R. LED Drive Tr.)
- ADAM41P2728 (Excluding I.R. LED Drive Tr.)
- ADAM41P2724 (Excluding I.R. LED Drive Tr.)
- ADAM41P2720 (Excluding I.R. LED Drive Tr.)



1. OVERVIEW

The ADAM41P272X is the high speed and low voltage operating 4-bit single chip microcomputer. This chip contains ADAM41 core, ROM, RAM, input/output ports , two timer/counters, etc. The ADAM41P272X is MTP version.

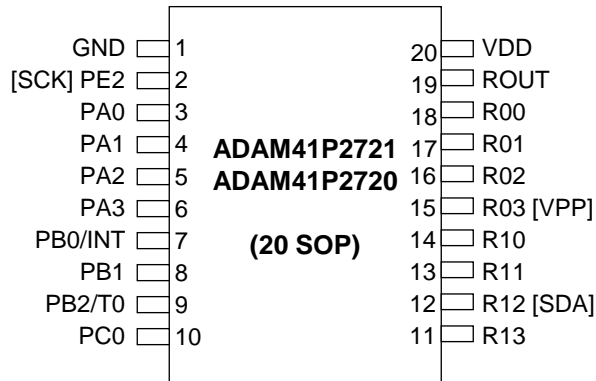
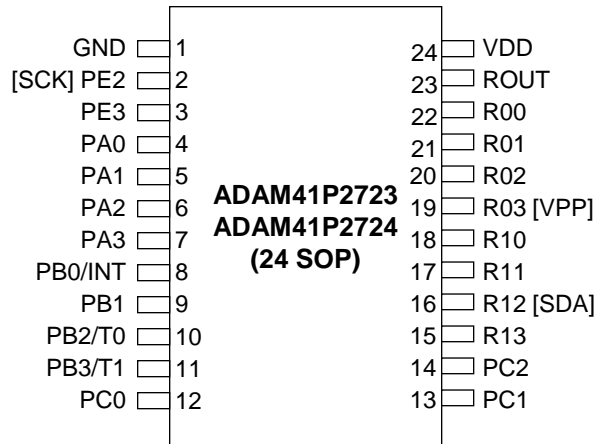
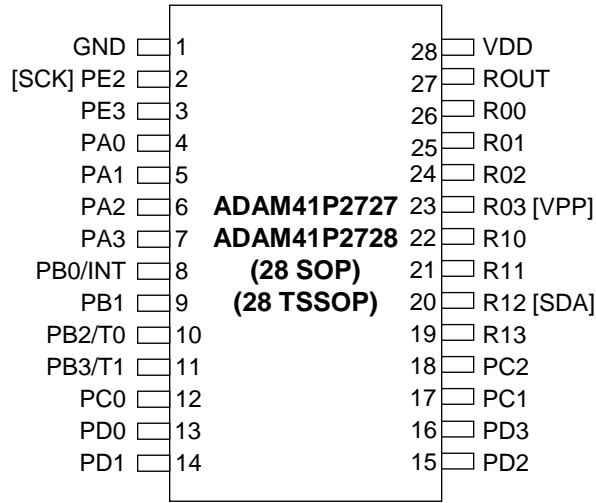
1.1. Features

- Instruction Execution Time
 - 1us @ fosc=4MHz
- Program Memory (MTP)
 - 48K Bytes (24,576 x 16bit)
[Multi-programmable by 16K-Byte or 24K-Byte]
- Data Memory (RAM)
 - 256 nibble (256 x 4bit)
- 16-Bit Table read Instruction.
- 8-Level Stack (Including Interrupts)
- Timer
 - Timer / Counter : 8Bit * 2ch
 - Carrier Generator : 6Bit * 1ch
 - Watch Dog Timer : 19Bit * 1ch
- Oscillator Type
 - Calibrated Internal RCOSC Only : typ. 4MHz (±2%)
- Built in Tr. for I.R. LED Drive in the ADAM41P2727/2723/2721
 - IOL = 250mA at VDD=3V and VO=0.3V
- Power On Reset
- Power Saving Operation Modes
 - STOP
- 3 Interrupt source
- Operating Voltage Range
 - 1.8V ~ 3.6V @4MHz
- Low Voltage Detection Circuit
- Voltage Detection Indicator Circuit : 2-Level [2.5V(±0.2V) / 2.1V(±0.2V)]
- Package
 - 20SOP/ 24SOP / 28SOP / 28TSSOP

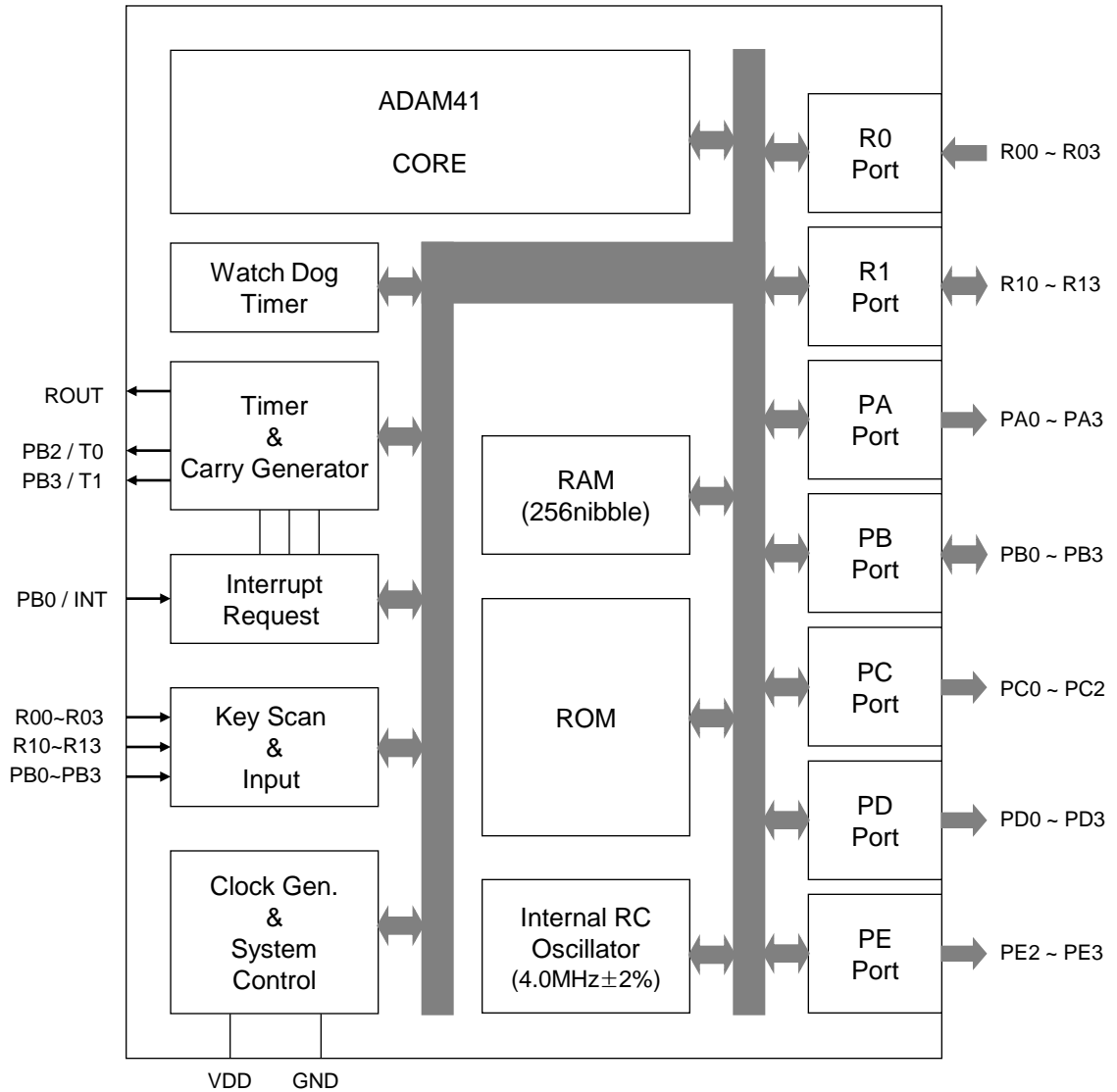
Table 1.1 ADAM41P272X series members

Series	ADAM41P2727 ADAM41P2728	ADAM41P2723 ADAM41P2724	ADAM41P2721 ADAM41P2720
Program memory	24,576 x 16	24,576 x 16	24,576 x 16
Data memory	256 x 4	256 x 4	256 x 4
I/O ports	8	8	7
Input ports	4	4	4
Output ports	14	10	7
Package	28SOP/TSSOP	24SOP	20SOP

1.2. Pin Assignments (top view)

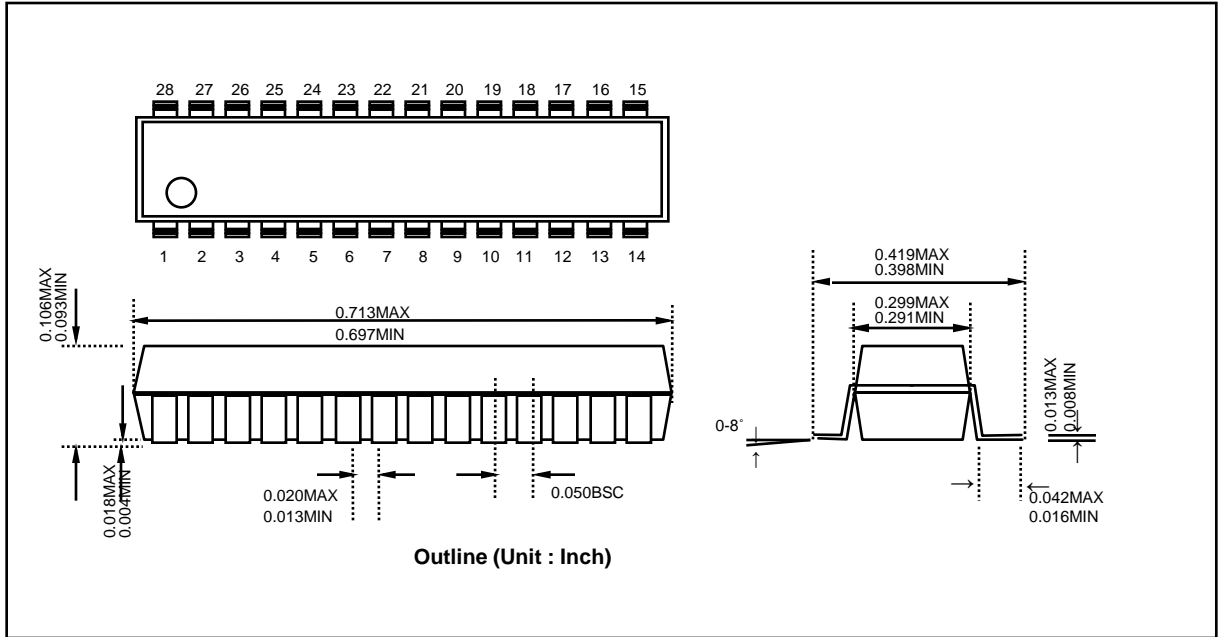


1.3. Block Diagram

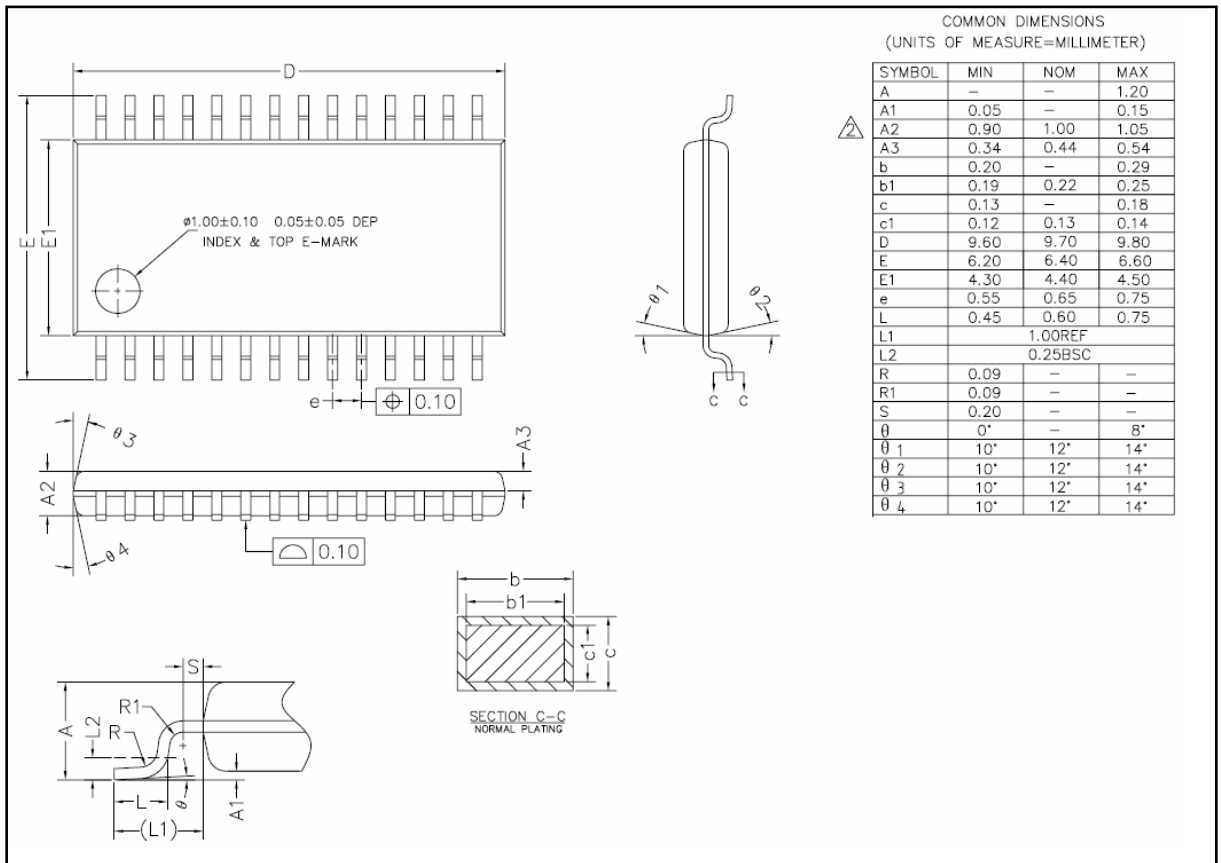


NOTE1> PD0~PD3 ports are not available in ADAM41P2724 and ADAM41P2723
 NOTE2> PD0~PD3, PE3, PB3, PC1~PC2 ports are not available in ADAM41P2720
 and ADAM41P2721

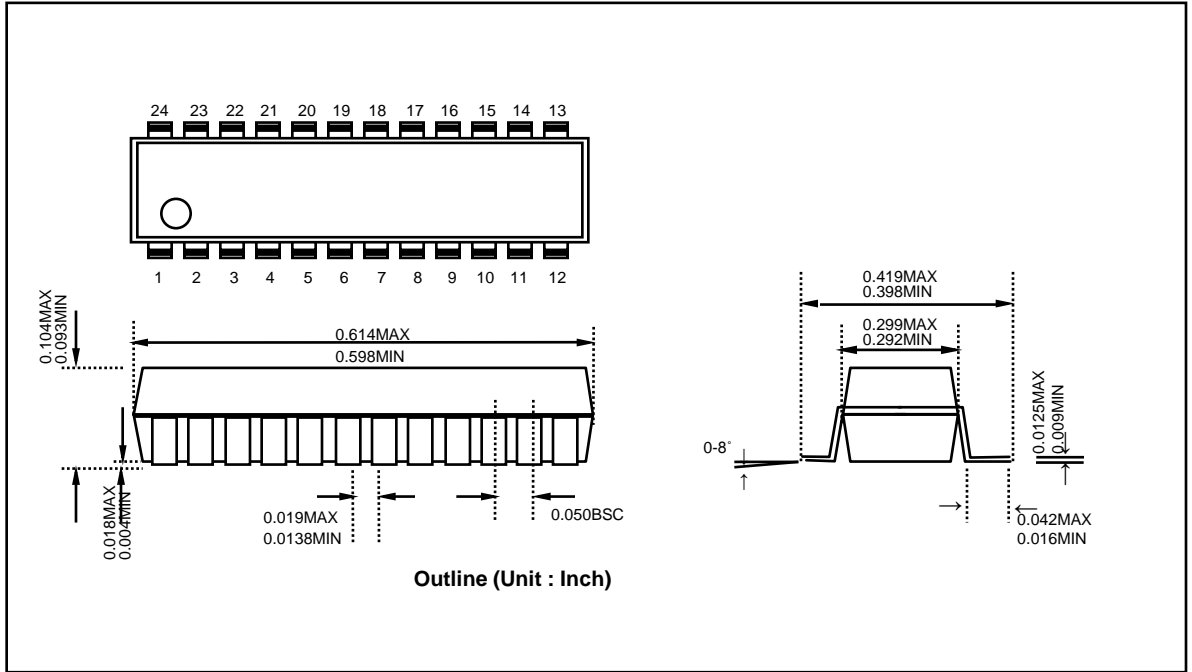
1.4. Package Dimension



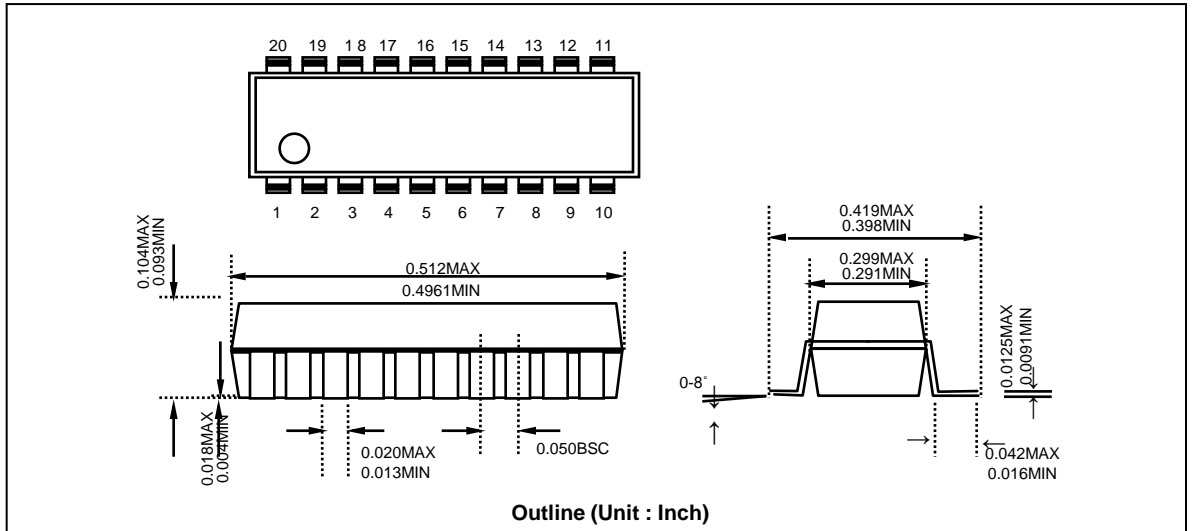
28 SOP Pin Dimension (dimensions in inch)



28 TSSOP Pin Dimension (dimensions in millimeter)



24 SOP Pin Dimension (dimensions in inch)



20 SOP Pin Dimension (dimensions in inch)

1.5. Pin Function

PIN NAME	INPUT OUTPUT	FUNCTION	@RESET	@STOP
R00 R01 R02 R03	INPUT INPUT INPUT INPUT	- 4-bit input Port. - CMOS input with pull-up resistor. - Can be selectable as STOP release Input pin individually by user program. (It is released by "L" input at STOP mode)	Input (with Pull-up)	-
R10 R11 R12 R13	I/O I/O I/O I/O	- 4-bit I/O Port. - CMOS input with pull-up resistor. - Pull-ups can be disabled by user Program. - Can be selectable as STOP release Input pin individually by user program. (It is released by "L" input at STOP mode) - N-ch open drain output. - Can be programmable as Push-pull output individually. - Each pin can be set and reset by R1 Data register value.	Input (with Pull-up)	State of before STOP
PA0 PA1 PA2 PA3	OUTPUT OUTPUT OUTPUT OUTPUT	- N-ch open drain output. - Each pin can be set and reset by PA Data register value.	Hi-Z	"L" level output
PB0/INT PB1 PB2/T0 PB3/T1	I/O I/O I/O I/O	- 4-bit I/O Port. - CMOS input with pull-up resistor. - Pull-ups can be disabled by user Program. - Can be selectable as STOP release Input pin individually by user program. (It is released by "L" input at STOP mode) - N-ch open drain output. - Can be programmable as Push-pull output individually. - Direct Driving of LED(N-TR). - Each pin can be set and reset by PB Data register value.	Input (with Pull-up)	State of before STOP
PC0 PC1 PC2	OUTPUT OUTPUT OUTPUT	- N-ch open drain output. - Can be programmable as Push-pull output individually. - Direct Driving of LED(N-TR). - Each pin can be set and reset by PC, PD and PE Data register value.	Hi-Z	State of before STOP
PD0 PD1 PD2 PD3	OUTPUT OUTPUT OUTPUT OUTPUT			
PE2 PE3	OUTPUT OUTPUT			
ROUT	OUTPUT			
		- High Current Output with built-in Tr. (for ADAM41P2727/2723/2721)	Hi-Z	Hi-Z
		- High Current Output (for ADAM41P2728/2724/2720)	"L" output	"L" output
VDD	POWER	- Positive power supply.	-	-
GND	POWER	- Ground	-	-

1.6. Port Structure

1.6.1. R0 Ports

Pin Name	Circuit Type	@ RESET
R00 R01 R02 R03		High-Input (with pull-up)

1.6.2. R1 Ports

Pin Name	Circuit Type	@ RESET
R10 R11 R12 R13		High-Input (with pull-up)

1.6.3. PA Ports

Pin Name	Circuit Type	@ RESET
PA0~PA3		Hi-Z

1.6.4. PB Ports

Pin Name	Circuit Type	@ RESET
<p>PB0 / INT PB1</p>		<p>High-Input (with pull-up)</p>
<p>PB2 / T0 PB3 / T1</p>		<p>High-Input (with pull-up)</p>

NOTE > PB3 ports is not available in ADAM41P2720 and ADAM41P2721

1.6.5. PC/ PD/ PE Ports

Pin Name	Circuit Type	@ RESET
PC0 ~ PC2 PD0 ~ PD3 PE2 ~ PE3		Hi-Z

NOTE > PD0~PD3 ports are not available in ADAM41P2724 and ADAM41P2723

NOTE2 > PC1, PC2, PD0~PD3, PE3 ports are not available in ADAM41P2720 and ADAM41P2721

1.6.6. ROUT Port for ADAM41P2727, ADAM41P2723 and ADAM41P2721

Pin Name	Circuit Type	@ RESET
ROUT		Hi-Z

1.6.7. ROUT Port for ADAM41P2728, ADAM41P2724 and ADAM41P2720

Pin Name	Circuit Type	@ RESET
ROUT		Low Level

1.7. Electrical Characteristics

1.7.1. Absolute Maximum Ratings (Ta = 25 °C)

PARAMETER	SYMBOL	RATINGS	UNIT
Supply Voltage	V _{DD}	-0.3 ~ +6.0	V
Input Voltage	V _I	-0.3 ~ V _{DD} + 0.3	V
Output Voltage	V _O	-0.3 ~ V _{DD} + 0.3	V
Storage Temperature	T _{STG}	-65 ~ 150	°C
Power Dissipation	P _D	700	mW

* Thermal derating above 25 °C : 6mW per degree °C rise in temperature.

1.7.2. Recommended Operating Ranges

PARAMETER	SYMBOL	CONDITION	MIN.	TYP.	MAX.	UNIT
Supply Voltage	V _{DD}	f _{osc} = 4MHz (Temp = 25 °C)	1.8		3.6	V
		f _{osc} = 4MHz (Temp = -20 ~ 70 °C)	2.0		3.6	V
Oscillation Frequency	f _{osc}	Internal RC Oscillator (V _{DD} = 1.8 ~ 3.6V) (Temp = -20 ~ 70 °C)	3.92	4.0	4.08	MHz
Operating Temperature	T _{OPR}		-20		70	°C

1.7.3. DC Characteristics (VDD = 1.8V~3.6V , GND = 0V, Ta = 25°C)

PARAMETER	Symbol	Condition		Specification			UNIT	
				MIN.	TYP.	MAX.		
High level input voltage	VIH1	INT		0.8VDD		VDD	V	
	VIH2	R0, R1, PB		0.7VDD		VDD	V	
Low level input voltage	VIL1	INT		0		0.2VDD	V	
	VIL2	R0, R1, PB		0		0.3VDD	V	
High level input leakage current	IIH	R0, R1, PB	VIH = VDD			1	μA	
Low level input leakage current	IIL	R0, R1, PB (without Pull-up)	VIL = 0V			-1	μA	
High level output voltage	VOH1	R1, PB, PC, PD, PE		IOH = -1mA	VDD-0.4		V	
Low level output voltage	VOL1	R1, PA		IOL = 1mA		0.8	V	
	VOL2	PB, PC, PD, PE		IOL = 5mA		0.8	V	
High level output leakage current	IOHL	R1, PA, PB, PC, PD, PE		VOH = VDD		1	μA	
Low level output leakage current	IOLL	R1, PA, PB, PC, PD, PE		VOL = 0V		-1	μA	
High level output current	IOH	ROUT (for ADAM41P2728/24/20)		VDD = 3V VOH = 2V	-30	-12	-5	mA
Low level output current	IOL1	ROUT (for ADAM41P2728/24/20)		VDD = 3V VOL = 1V	0.5		5	mA
	IOL2	ROUT (for ADAM41P2727/23/21)		VDD = 3V VOL = 0.3V		250		mA
Input Pull-up current	IP	R0, R1, PB		VDD = 3V	10	30	60	μA
Power supply current	IDD	Operating current	fosc = 4MHz	VDD = 3.6V		0.8	2.4	mA
				VDD = 1.8V		0.5	1.5	mA
	ISTOP	Stop mode current	Oscillator stop	VDD = 3.6V		2.5	8	μA
				VDD = 1.8V		0.5	1.5	μA
RAM retention supply voltage	VRET			0.7			V	

1.7.4. AC Characteristics (VDD = 1.8V ~ 3.6V, GND = 0V, Ta = 25°C)

No.	Parameter	Symbol	Pin	Specification			UNIT
				MIN.	TYP.	MAX.	
1	Internal RCOSC clock cycle time	t _{CP}	-	-	250	-	ns
2	System clock cycle time	t _{sys}	-	-	1000	-	ns
3	Interrupt pulse width High	t _{IH}	INT	2			t _{sys}
4	Interrupt pulse width Low	t _{IL}	INT	2			t _{sys}

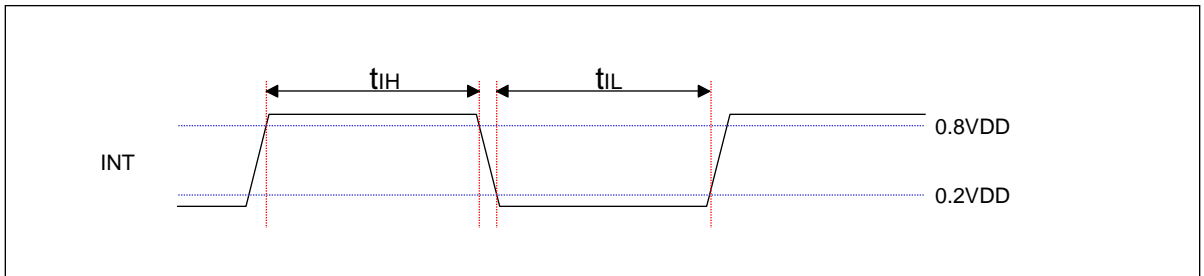
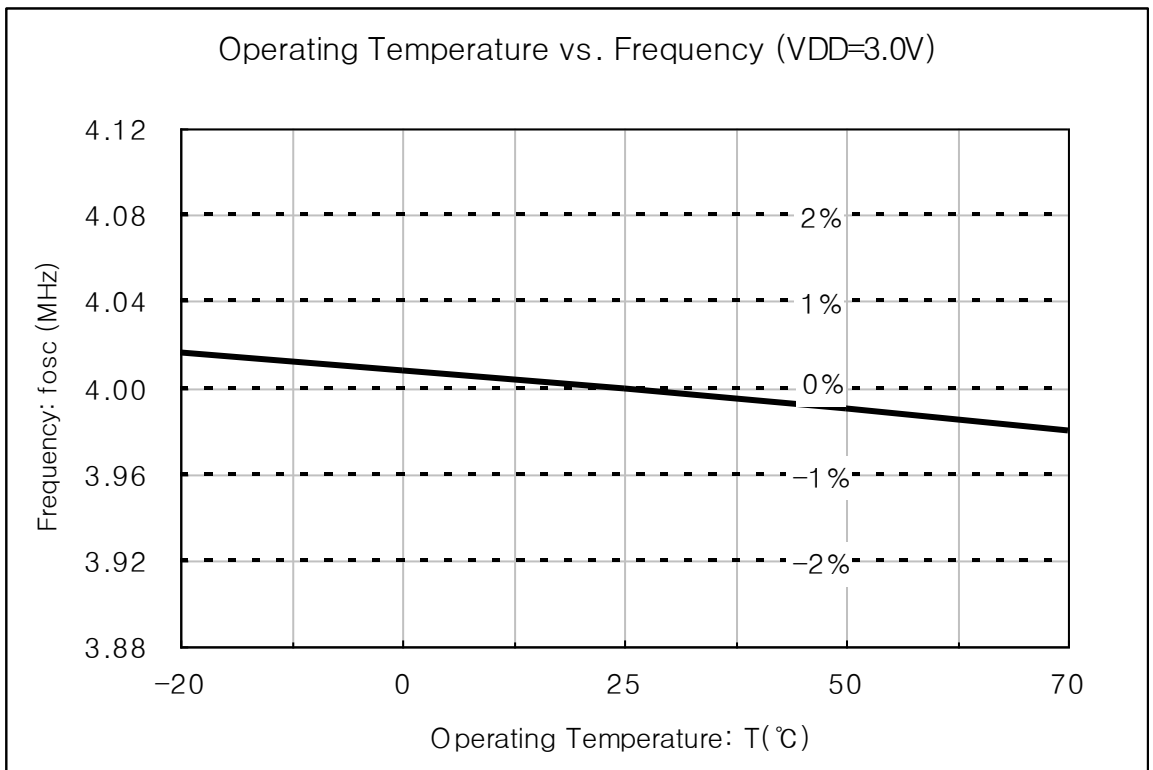
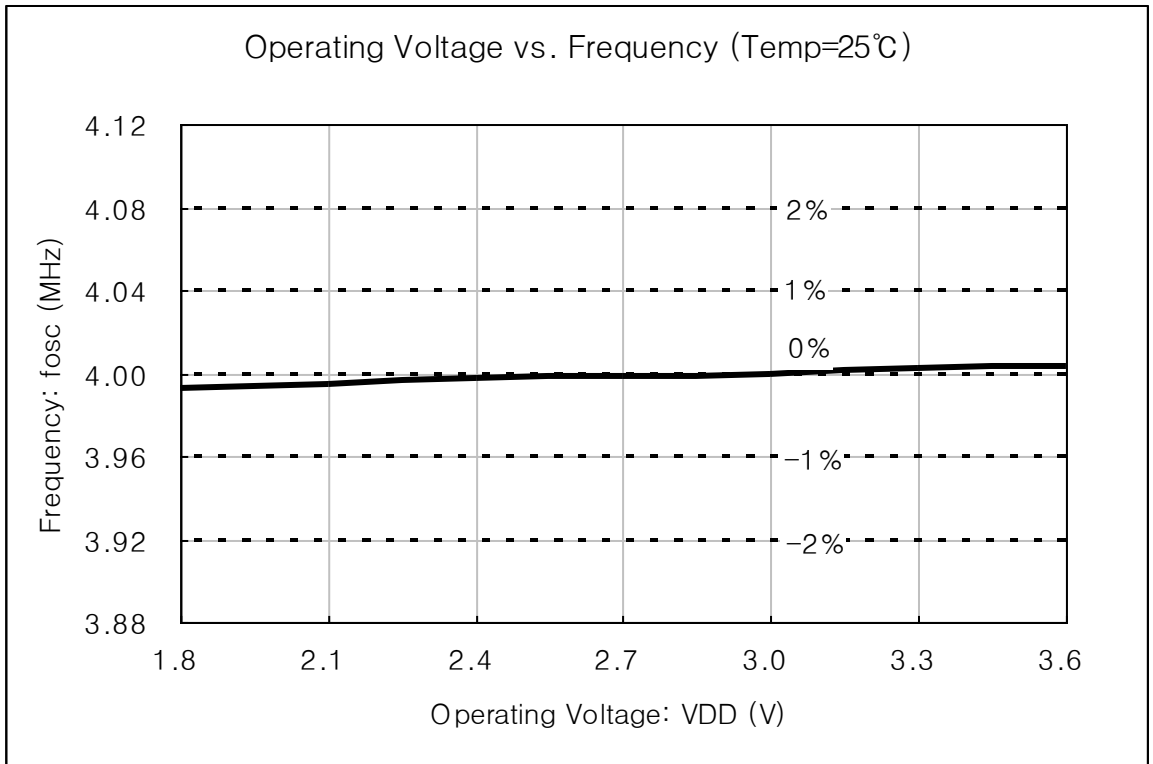


Fig. 1.1 Timing Chart

※ **Internal RC Oscillator Characteristics Graphs (for reference only)**



2. FUNCTION DESCRIPTION

2.1. Program Memory

The ADAM41P272X can incorporate maximum 48K bytes (24K × 16bits) for program memory. Program counter PC (A0~A13) and page address register(A14) are used to address the whole area of program memory having an instruction (16bits) to be executed. The program memory consists of 16K words on 0-page and 8K words on 1-page. The program memory is composed as shown below.

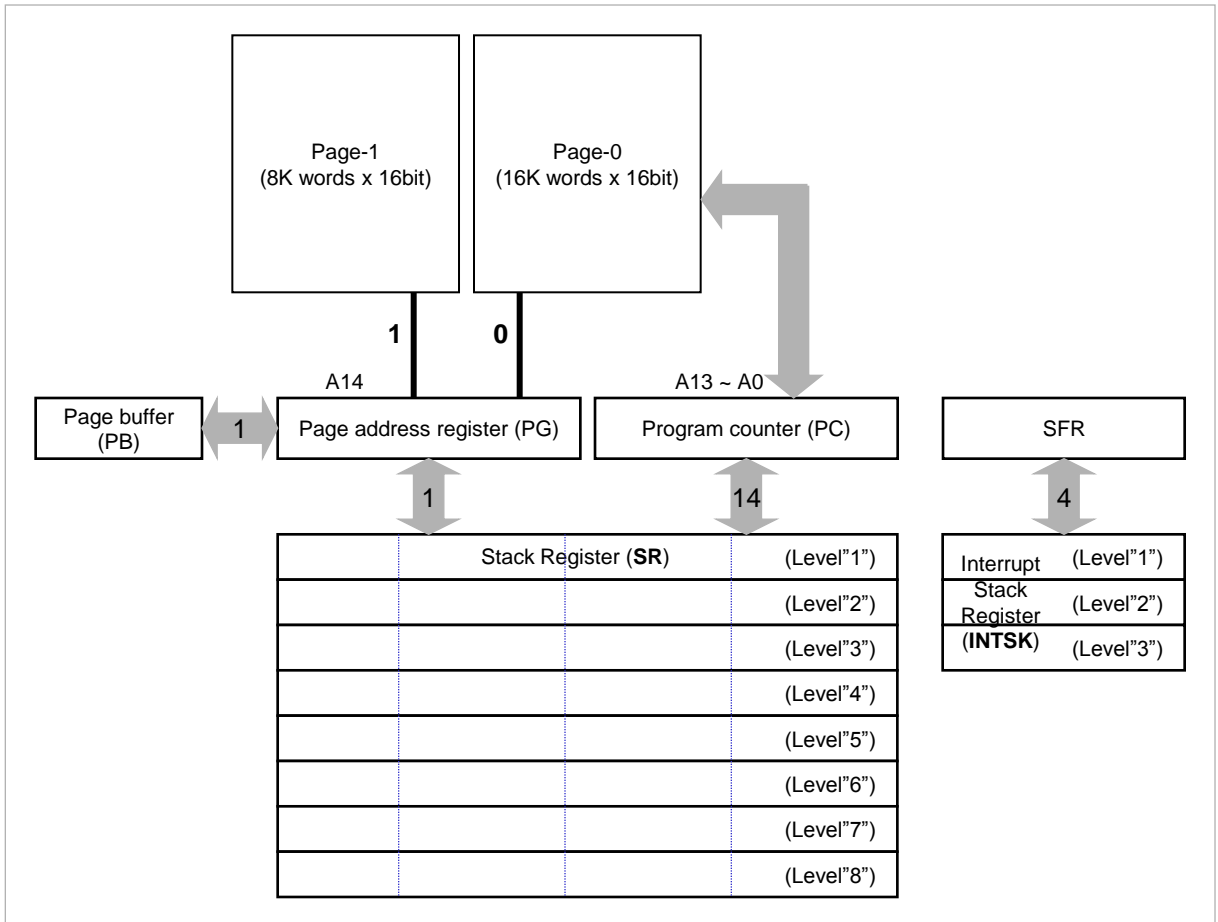


Fig. 2.1 Configuration of Program Memory

2.2. Address Register

The following registers are used to address the ROM.

- Page address register (PG) :
Holds ROM's page number (0page, 1page) to be addressed.
- Page buffer register (PB) :
Value of PB is loaded by an LPG command when newly addressing a page.
Then it is shifted into the PG when rightly executing a branch instruction (BR) and a subroutine call (CAL).
- Program counter (PC) :
Available for addressing word on each page.
- Stack register (SR) :
Stores returned-word address in the subroutine call mode.

2.2.1. Page address register (PG) and page buffer register (PB)

Address one of 0 page to 1 page in the ROM by the 1-bit page address register. Unlike the program counter, the page address register is usually unchanged so that the program will repeat on the same page unless a page changing command is issued. To change the page address, take two steps such as (1) writing in the page buffer what page to jump (execution of LPG) and (2) execution of BR or CAL, because instruction code is of eight bits so that page and word can not be specified at the same time.

In case a return instruction (RET) is executed within the subroutine that has been called in the other page, the page address will be changed at the same time.

2.2.2. Program counter (PC)

This 14-bit binary counter increments is for fetching a word to be addressed in the currently addressed page having an instruction to be next executed.

For easier programming, at turning on the power, the program counter is reset to the zero location(0000H). The PG is also set to "0". Then the program counter specifies the next address.

When BR, CAL or RET instructions are decoded, the switches on each step are turned off not to update the address.

Then, for BR or CAL, address data are taken in from the instruction operands (A0 to A13), or for RET, and address including page address is fetched from stack register No. 1.

2.2.3. Stack register (SR)

The stack register provides two stages each for the program counter (14bits) and the page address register (1bit) so that subroutine nesting can be made on eight levels.

The address stack register (ADS) stores a return address when the subroutine call instruction is executed or interrupt is acknowledged.

If subroutine or interrupts are nested to more than 8 levels, internal reset is occurred.

The interrupt stack register(INTSK) saves the contents of Status Flag Register (SFR) when an interrupt is acknowledged.

The saved contents are restored when an interrupt return(RETI) instruction is executed.

INTSK saves data each time an interrupt is acknowledged.

The programmer must keep in mind that the level of INTSK is only 3. So, if more over 3 levels of interrupt occur, the first stored data is lost. There is different result between Stack overflow and interrupt stack overflow.

When clearing SP (Stack Pointer) with using "SPC" instruction, interrupt processing must be inhibited before "SPC".

2.3. Data Memory (RAM)

256 nibbles (256 × 4bits) is incorporated for storing data.

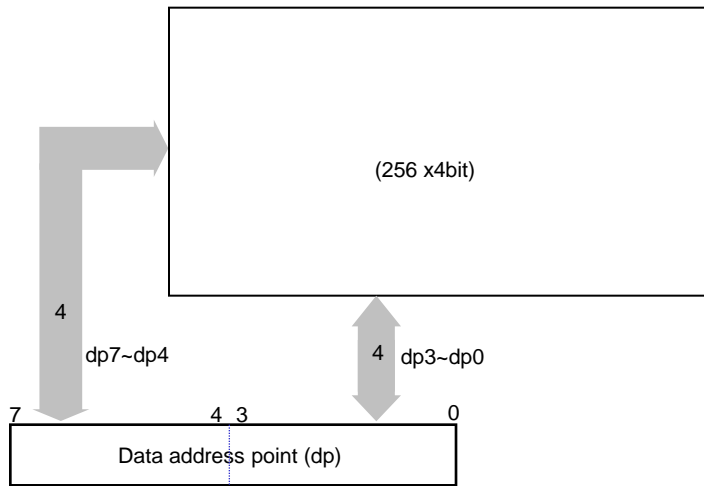
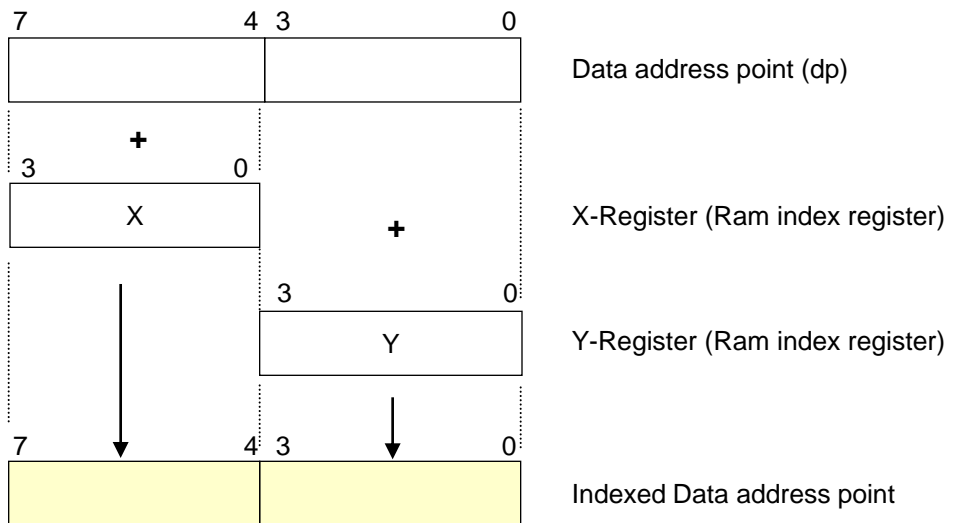


Fig. 2.2 Data Memory

2.3.1. Data memory (RAM) addressing method

The whole data memory area is directly addressed by 8-bit ram data address point (dp). Index data memory addressing is available using X-register and Y-register. In this case, X-register is added upper 4bit of data point and Y-register is added lower 4bit of data point.



2.3.2. Data memory(RAM) data addressing example Program

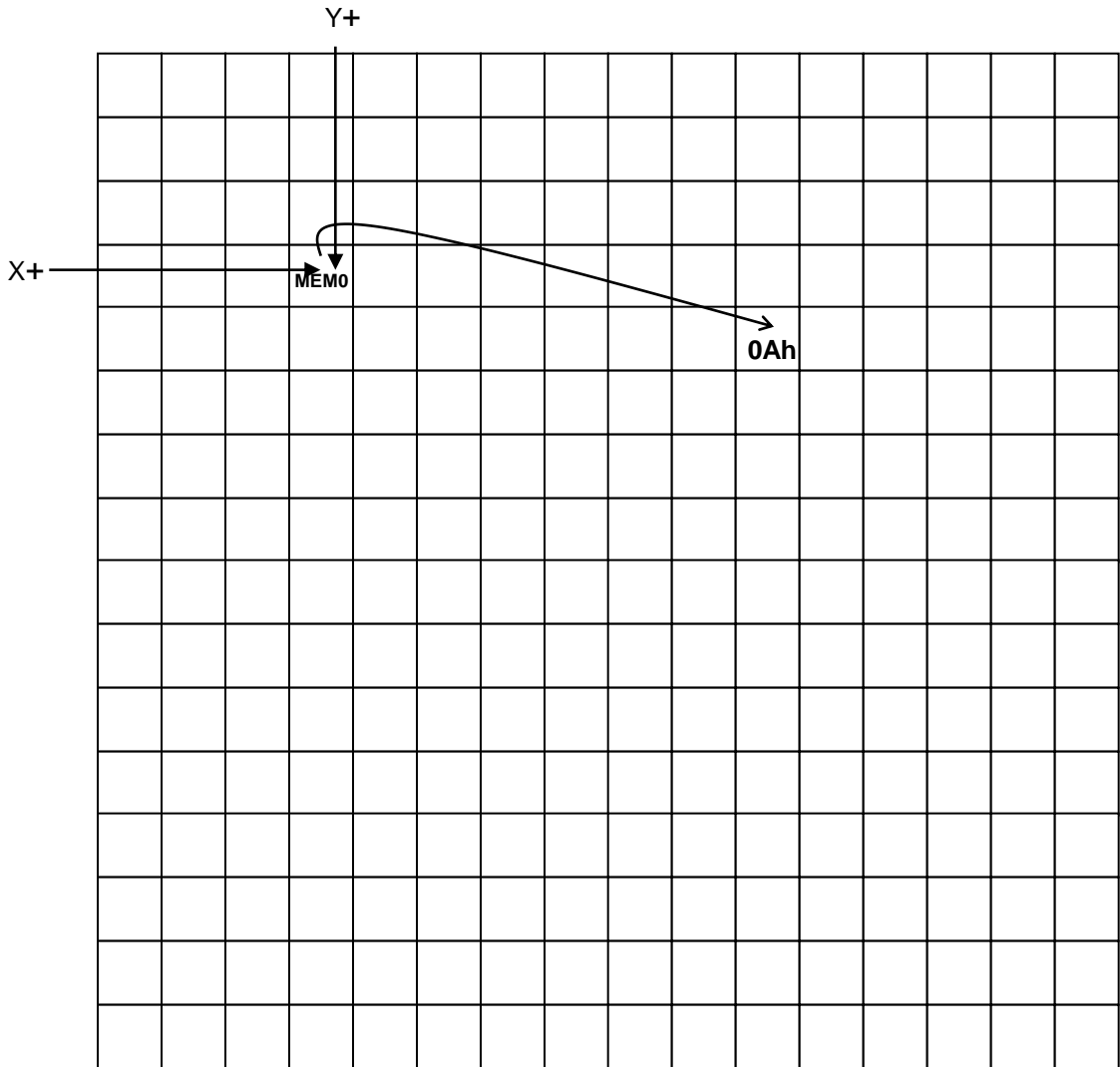


Fig. 2.3 Data Memory Map

Below program example is guidance for understanding the flow of index data memory addressing.

```

MEM0 EQU 033h           ; Defining RAM Address

LDM MEM0,#0Ah         ; [33h] = #0Ah
LDY #7                ; Setting Y register as #07h
LDX #1                ; Setting X register as #01h
LDA MEM0              ; A = #0Ah == [MEM0]
EIX                  ; Index Enable
LDM MEM0,A           ; [4Ah] == [Indexed Addressed Ram] = A
DIX                  ; Index Disable
    
```

Result after executing is
MEM0 = #0Ah
[MEM0 + X + Y] = [4Ah] = #0Ah

2.4. General Function Registers

2.4.1. X-register (X)

X-register consist of 4 bits. It can be used for a general-purpose register and also for data memory indexing register.

2.4.2. Y-register (Y)

Y-register consist of 4 bits. It can be used for a general-purpose register and also for data memory indexing register.

2.4.3. Accumulator (ACC)

The 4-bit register for holding data and calculation results.

2.4.4. Peripheral Address Register (PAR)

The 6-bit address register for addressing peripheral registers including address buffer register (ABR), data buffer register (DBR).

2.4.5. Address Buffer Register (ABR)

The **15-bit register** for address buffer.

It is composed of **3 registers(ABR0, ABR1, ABR2) x 4bit and 1 register(ABR3) x 3bit.**

2.5. Buffer Registers (DBR,ABR)

Buffer registers are two types of 16 bit registers composed of 4 nibble registers. One is Data Buffer Register (DBR) and the other is Address Buffer Register (ABR). The address of Data Buffer Register (DBR) is 3Ch ~ 3Fh and the address of Address Buffer Register (ABR) is 38h ~ 3Bh on the peripheral register.

These buffers are mainly used for Data transferring between ROM and buffer or peripheral registers and buffer. They are also used for general purpose register for data manipulation, data storage and intermediate buffer.

2.5.1. Function of Data Buffer Register(DBR)

The most important function of DBR is intermediate (window) buffer for transferring data between peripheral registers and reading data from ROM.

When the data of ROM is read by "LDW @ABR", one word of ROM is fetched to DBR.

The MSB of ROM data is written to DBR3 and LSB to DBR0.

If the data of pointed ROM is 1234h, each DBR has the data as DBR0 = 4h, DBR1 = 3h, DBR2 = 2h and DBR3 = 1h.

DBR is also used for reading some peripheral register data by 8bit unit. The peripheral registers are T0CR and T1CR.

Note > HEX. File maps the data as big endian type. Be careful to read the ROM data. When the programmer assigns the data like below, the ROM data is mapped as below
DB 12h,34h → ROM data = 1234h

2.5.2. Function of Address Buffer Register (ABR)

The most important function of ABR is ROM address pointer.

ABR must be used for reading data from ROM. The data pointed by ABR is read to DBR.

ABR value is varied through peripheral control instruction and "INC ABR".

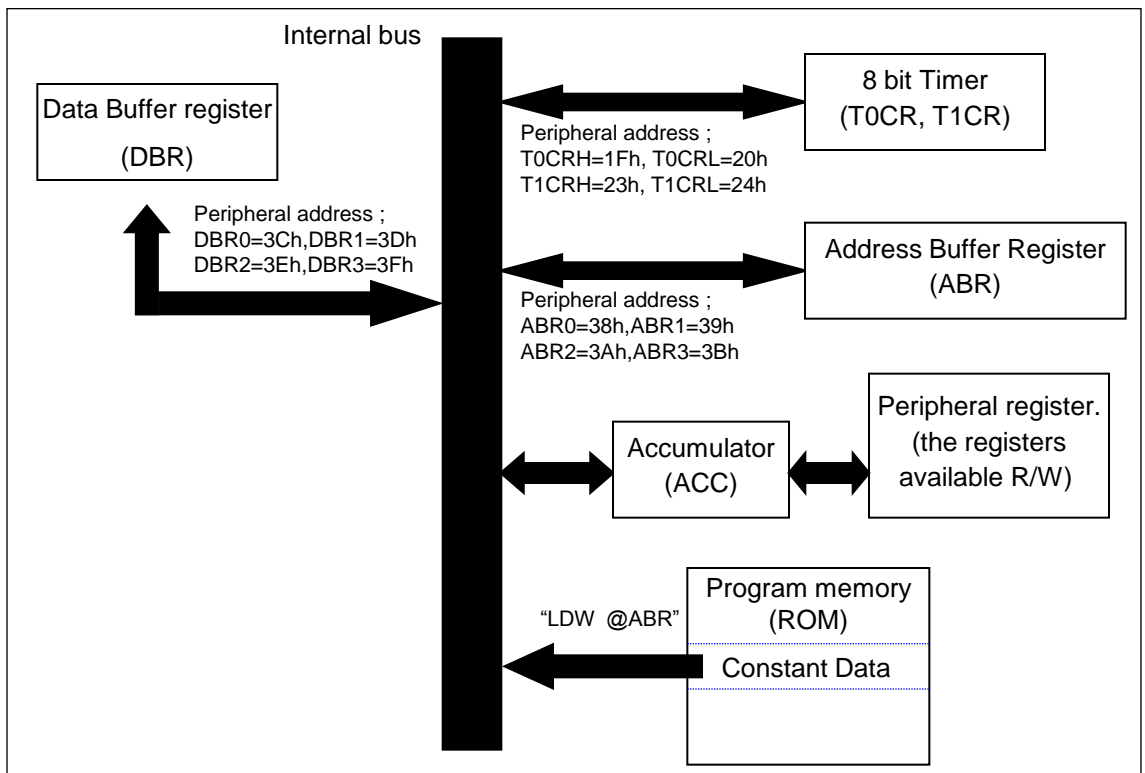


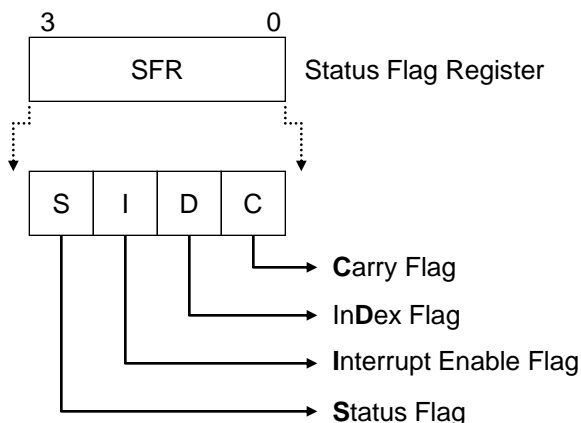
Fig. 2.4 The internal Data flow among DBR, ABR , registers and ROM

2.6. Status Flag Register (SFR)

Status Flag Register (SFR) consists of 4-bit register.

Each of the flags show the post state of operation and the flags determining the CPU operation, initialized as 0h in reset state.

When an interrupt is occurred, the value of SFR keep the value of pre- interrupt except for I flag. So, be careful to initialize the SFR status for getting reliable result in Interrupt sub-routine.



2.6.1. Carry flag (C)

- Carry flag bit is set when there is carry or borrow After executing ADDC / SUBC / ARRC / ARLC instructions.
- Set by SETC and clear by CLRC.

2.6.2. InDex flag (D)

- The control bit of ram data address point indexed or not.
- X-register and Y-register is used for index addressing.
- Set and cleared by EIX, DIX.

2.6.3. Interrupt enable flag (I)

- Master enable flag of interrupt.
- Set and cleared by EI, DI
- This flag immediately becomes "0" when an interrupt is served.

2.6.4. Status flag (S)

- According to the condition after executing an instruction , set or clear.
- Can not be set or clear by any instruction.
- This flag decides whether operation of BR and CALL would be done or not.

2.7. Peripheral Registers

Peripheral Address	Function Registers	Read Write	Symbol	RESET Value			
				3	2	1	0
00 h	PORT R0 STOP RELEASE SELECTION REG.	W	R0ST	0			
	PORT R0 DATA REG.	R	R0	F			
01 h	PORT R1 STOP RELEASE SELECTION REG.	W	R1ST	0			
02 h	PORT R1 PULL UP RESISTOR SELECTION REG.	W	R1PU	0			
03 h	PORT R1 OPEN DRAIN SELECTION REG.	W	R1OD	0			
04 h	PORT R1 DATA REG.	R/W	R1	F			
05 h	PORT R1 DIRECTION REG.	W	R1DD	0			
06 h	<i>Reserved</i>						
07 h	PORT PA DATA REG.	R/W	PA	F			
08 h	PORT PB STOP RELEASE SELECTION REG.	W	PBST	F			
09 h	PORT PB PULL UP RESISTOR SELECTION REG.	W	PBPU	0			
0A h	PORT PB OPEN DRAIN SELECTION REG.	W	PBOD	0			
0B h	PORT PB DATA REG.	R/W	PB	F			
0C h	PORT PB FUNCTION SELECTION REG.	W	PBFN	0	0	-	0
0D h	PORT PB DIRECTION REG.	W	PBDD	0			
0E h	PORT PC OPEN DRAIN SELECTION REG.	W	PCOD	0			
0F h	PORT PC DATA REG.	R/W	PC	F			
10 h	PORT PD OPEN DRAIN SELECTION REG.	W	PDOD	0			
11 h	PORT PD DATA REG.	R/W	PD	F			
12 h	<i>Reserved</i>						
13 h	PORT PE OPEN DRAIN SELECTION REG.	W	PEOD	0			
14 h	PORT PE DATA REG.	R/W	PE	F			
15 h	<i>Reserved</i>						
16 h	<i>Reserved</i>						
17 h	EXTERNAL INT. EDGE SELECTION REG.	W	IEDS	-	-	0	0
18 h	INT. ENABLE REG.	R/W	IENR	0	0	0	0
19 h	INT. REQUEST FLAG REG.	R/W	IRQR	0	0	0	0
1A h	TIMER0 MODE REG.	R/W	T0MR	0			
1B h	VOLTAGE DETECTION INDICATOR REGISTER	R	VDIR	-	-	0	0
1C h	TIMER1 MODE REG.	R/W	T1MR	0			
1D h	ROUT CONTROL REG .	R/W	RCR	0			
1E h	CARRY MODE REG.	R/W	CGMR	0			
1F h	TIMER 0 DATA0 HIGH REG.	W	T0D0H	undefined			
	TIMER 0 COUNT REG. HIGH.	R	T0CRH	undefined			

Note1> '-' is reserved bit , it must be read to "0".

Peripheral Address	Function Registers	Read Write	Symbol	RESET Value			
				3	2	1	0
20 h	TIMER 0 DATA 0 LOW REG.	W	T0D0L	undefined			
	TIMER 0 COUNT REG. LOW.	R	T0CRL	undefined			
21 h	TIMER 0 DATA 1 HIGH REG.	W	T0D1H	undefined			
22 h	TIMER 0 DATA 1 LOW REG.	W	T0D1L	undefined			
23 h	TIMER 1 HIGH DATA REG.	W	T1HD	undefined			
	TIMER 1 COUNT REG. HIGH.	R	T1CRH	undefined			
24 h	TIMER 1 LOW DATA REG.	W	T1LD	undefined			
	TIMER 1 COUNT REG LOW.	R	T1CRL	undefined			
25 h	CARRY GENERATOR HIGH-MSB DATA REG.	W	CGHMD	undefined			
26 h	CARRY GENERATOR HIGH-LSB DATA REG.	W	CGHLD	undefined			
27 h	CARRY GENERATOR LOW-MSB DATA REG.	W	CGLMD	undefined			
28 h	CARRY GENERATOR LOW-LSB DATA REG.	W	CGLLD	undefined			
29 h	<i>Reserved</i>						
2A h	<i>Reserved</i>						
2B h	<i>Reserved</i>						
2C h	<i>Reserved</i>						
2D h	<i>Reserved</i>						
2E h	<i>Reserved</i>						
2F h	<i>Reserved</i>						
30 h	<i>Reserved</i>						
31 h	<i>Reserved</i>						
32 h	<i>Reserved</i>						
33 h	<i>Reserved</i>						
34 h	<i>Reserved</i>						
35 h	<i>Reserved</i>						
36 h	<i>Reserved</i>						
37 h	<i>Reserved</i>						
38 h	ADDRESS BUFF REGISTER 0	R/W	ABR0	undefined			
39 h	ADDRESS BUFF REGISTER 1	R/W	ABR1	undefined			
3A h	ADDRESS BUFF REGISTER 2	R/W	ABR2	undefined			
3B h	ADDRESS BUFF REGISTER 3	R/W	ABR3	-	x	x	x
3C h	DATA BUFF REGISTER 0	R/W	DBR0	undefined			
3D h	DATA BUFF REGISTER 1	R/W	DBR1	undefined			
3E h	DATA BUFF REGISTER 2	R/W	DBR2	undefined			
3F h	DATA BUFF REGISTER 3	R/W	DBR3	undefined			

Note1> '-' is reserved bit , it must be read to "0". 'x' is undefined bit.

3. I/O Ports

The ADAM41P272X has maximum 25 Input or output ports which are R0 (4 Input), R1 (4 I/O), PA (4 Output), PB (4 I/O), PC (3 Output), PD (4 Output), PE(2 Output).

R0, R1 and PB input Port have Stop Release selection register.

Pull-up resistors of R1 and PB port can be selectable by program. R1 and PB port contains data direction register which controls I/O and data register which stores port data.

R1, PA, PB, PC, PD, PE Ports have Open Drain output selection register.

3.1. Port R0

3.1.1. R0 Stop Release Selection Register (R0ST)

<i>bit</i>	3	2	1	0	
R0ST	R0ST3	R0ST2	R0ST1	R0ST0	<i>00h</i>
<i>Initial value</i>	0	0	0	0	
<i>R/W</i>	W	W	W	W	

R0 Stop Release Selection Register (R0ST) is 4-bit register and can assign stop release pin or not.

If R0ST is selected as “0”, stop release function is enabled and if selected as “1”, it is disabled. R0ST is write-only register and initialized as “0h” in reset state.

3.1.1. R0 DATA Register (R0)

<i>bit</i>	3	2	1	0	
R0	R03	R02	R01	R00	<i>00h</i>
<i>Initial value</i>	1	1	1	1	
<i>R/W</i>	R	R	R	R	

R0 data register (R0) is 4-bit register to store data of port R0.

Since R0 port is input only port, input state of pin is read.

The initial value of R0 is “Fh” in reset state.

3.2. Port R1

3.2.1. R1 Stop Release Selection Register (R1ST)

<i>bit</i>	3	2	1	0	
R1ST	R1ST3	R1ST2	R1ST1	R1ST0	<i>01h</i>
<i>Initial value</i>	0	0	0	0	
<i>R/W</i>	W	W	W	W	

R1 Stop Release Selection Register (R1ST) is 4-bit register and can assign stop release pin or not.

If R1ST is selected as “0”, stop release function is enabled and if selected as “1”, it is disabled. R1ST is write-only register and initialized as “0h” in reset state.

3.2.2. R1 Pull-up Resistor Control Register (R1PC)

<i>bit</i>	3	2	1	0	
R1PC	R1PC3	R1PC2	R1PC1	R1PC0	<i>02h</i>
<i>Initial value</i>	0	0	0	0	
<i>R/W</i>	W	W	W	W	

R1 pull-up resistor control register (R1PC) is 4-bit register and can control pull-up on or off each port, if corresponding port is selected as input. If R1PC is selected as “0”, pull-up is enabled and if selected as “1”, it is disabled. R1PC is write-only register and initialized as “0h” in reset state.

The pull-up is automatically disabled, if corresponding port is selected as output.

3.2.3. R1 Open Drain Assign Register (R1OD)

<i>bit</i>	3	2	1	0	
R1OD	R1OD3	R1OD2	R1OD1	R1OD0	03h
<i>Initial value</i>	0	0	0	0	
<i>R/W</i>	W	W	W	W	

R1 Open Drain Assign Register (R1OD) is 4-bit register, and can assign R1 port as open drain output port for each bit. If R1OD is selected as “0”, port R1 is open drain output, and if selected as “1”, it is push-pull output. R1OD is write-only register and initialized as “0h” in reset state.

3.2.4. R1 Data Register (R1)

<i>bit</i>	3	2	1	0	
R1	R13	R12	R11	R10	04h
<i>Initial value</i>	1	1	1	1	
<i>R/W</i>	R/W	R/W	R/W	R/W	

R1 data register (R1) is 4-bit register to store data of port R1. When set as the output state by R1DD, written data in R1 is outputted through R1 pin. When set as the input state, input state of pin is read to R1. The initial value of R1 is “Fh” in reset state.

3.2.5. R1 I/O Data Direction Register (R1DD)

<i>bit</i>	3	2	1	0	
R1DD	R1DD3	R1DD2	R1DD1	R1DD0	05h
<i>Initial value</i>	0	0	0	0	
<i>R/W</i>	W	W	W	W	

R1 I/O Data Direction Register (R1DD) is 4-bit register, and can assign input state or output state to each bit. If R1DD is “0”, port R1 is in the input state, and if “1”, it is in the output state. R1DD is write-only register. Since R1DD is initialized as “0h” in reset state, the whole port R1 becomes input state.

3.3. Port PA

3.3.1. PA Data Register (PA)

<i>bit</i>	3	2	1	0	
PA	PA3	PA2	PA1	PA0	07h
<i>Initial value</i>	1	1	1	1	
<i>R/W</i>	R/W	R/W	R/W	R/W	

PA data register (PA) is 4-bit register to store data of port PA. The initial value of PA is “Fh” in reset state.

3.4. Port PB

Pin Name	Port Selection	Function Selection
PB0 / INT	PB0 (I/O)	INT input
PB1	PB1 (I/O)	-
PB2 / T0	PB2 (I/O)	Timer 0 output
PB3 / T1	PB3 (I/O)	Timer 1 output

3.4.1. PB Stop Release Selection Register (PBST)

bit	3	2	1	0	
PBST	PBST3	PBST2	PBST1	PBST0	08h
Initial value	1	1	1	1	
R/W	W	W	W	W	

PB Stop Release Selection Register (PBST) is 4-bit register, and can assign stop release pin or not.

If PBST is selected as “0”, stop release function is enabled and if selected as “1”, it is disabled. PBST is write-only register and initialized as “Fh” in reset state.

3.4.2. PB Pull-up Resistor Control Register (PBPC)

bit	3	2	1	0	
PBPC	PBPC3	PBPC2	PBPC1	PBPC0	09h
Initial value	0	0	0	0	
R/W	W	W	W	W	

PB pull-up resistor control register (PBPC) is 4-bit register and can control pull-up on or off each bit, if corresponding port is selected as input. If PBPC is selected as “0”, pull-up is enabled and if selected as “1”, it is disabled. PBPC is write-only register and initialized as “0h” in reset state.

The pull-up is automatically disabled, if corresponding port is selected as output.

3.4.3. PB Open Drain Assign Register (PBOD)

bit	3	2	1	0	
PBOD	PBOD3	PBOD2	PBOD1	PBOD0	0Ah
Initial value	0	0	0	0	
R/W	W	W	W	W	

PB Open Drain Assign Register (PBOD) is 4-bit register, and can assign PB port as open drain output port for each bit. If PBOD is selected as “0”, port PB is open drain output, and if selected as “1”, it is push-pull output. PBOD is write-only register and initialized as “0h” in reset state.

3.4.4. PB Data Register (PB)

bit	3	2	1	0	
PB	PB3	PB2	PB1	PB0	0Bh
Initial value	1	1	1	1	
R/W	R/W	R/W	R/W	R/W	

PB data register (PB) is 4-bit register to store data of port PB. The initial value of PB is “Fh” in reset state.

3.4.5. PB Function selection Register (PBFN)

<i>bit</i>	3	2	1	0	
PBFN	T1S	T0S	-	INTS	<i>0Ch</i>
<i>Initial value</i>	0	0	0	0	
<i>R/W</i>	W	W	W	W	

Note> Reserved bit must be 0.

PB Function selection Register (PBFN) is 4-bit register, and can assign the Function mode for each bit.

When set as “0”, corresponding bit of PBFN acts as port PB selection mode, and when set as “1”, it becomes function selection mode.

Selection Mode of PBFN

Bit Name	PMR1	Selection Mode	Remarks
T1S	0	PB3 select (I/O)	-
	1	Timer1 output select (output)	The output status is toggled (L<>H) every T1 Output (refer to Fig. 4.5)
T0S	0	PB2 select (I/O)	-
	1	Timer0 output select (output)	The output status is same as T0 Output (refer to Fig. 4.4)
-	0		-
	1		-
INTS	0	PB0 select (I/O)	-
	1	External Interrupt select (input)	-

PBFN is write-only register and initialized as “0h” in reset state. Therefore, becomes I/O Port mode.

3.4.6. PB I/O Data Direction Register (PBDD)

<i>bit</i>	3	2	1	0	
PBDD	PBDD3	PBDD2	PBDD1	PBDD0	<i>0Dh</i>
<i>Initial value</i>	0	0	0	0	
<i>R/W</i>	W	W	W	W	

PB I/O Data Direction Register (PBDD) is 4-bit register, and can assign input state or output state to each bit. If PBDD is “0”, port PB is in the input state, and if “1”, it is in the output state. PBDD is write-only register. Since PBDD is initialized as “0h” in reset state, the whole port PB becomes input state.

3.5. Port PC

3.5.1. PC Open Drain Assign Register (PCOD)

bit	3	2	1	0	
PCOD	-	PCOD2	PCOD1	PCOD0	0Eh
Initial value	-	0	0	0	
R/W	-	W	W	W	

PC Open Drain Assign Register (PCOD) is 3-bit register, and can assign PC port as open drain output port for each bit. If PCOD is selected as “0”, port PC is open drain output, and if selected as “1”, it is push-pull output. PCOD is write-only register and initialized as “0h” in reset state.

3.5.2. PC Data Register (PC)

bit	3	2	1	0	
PC	-	PC2	PC1	PC0	0Fh
Initial value	1	1	1	1	
R/W	-	R/W	R/W	R/W	

PC data register (PC) is 3-bit register to store data of port PC. The initial value of PC is “Fh” in reset state.

3.6. Port PD

3.6.1. PD Open Drain Assign Register (PDOD)

bit	3	2	1	0	
PDOD	PDOD3	PDOD2	PDOD1	PDOD0	10h
Initial value	0	0	0	0	
R/W	W	W	W	W	

PD Open Drain Assign Register (PDOD) is 4-bit register, and can assign PD port as open drain output port for each bit. If PDOD is selected as “0”, port PD is open drain output, and if selected as “1”, it is push-pull output. PDOD is write-only register and initialized as “0h” in reset state.

3.6.2. PD Data Register (PD)

bit	3	2	1	0	
PD	PD3	PD2	PD1	PD0	11h
Initial value	1	1	1	1	
R/W	R/W	R/W	R/W	R/W	

PD data register (PD) is 4-bit register to store data of port PD. The initial value of PD is “Fh” in reset state.

3.7. Port PE

3.7.1. PE Open Drain Assign Register (PEOD)

<i>bit</i>	3	2	1	0	
PEOD	PEOD3	PEOD2	-	-	13h
<i>Initial value</i>	0	0	-	-	
<i>R/W</i>	W	W	-	-	

PE Open Drain Assign Register (PEOD) is 2-bit register, and can assign PE port as open drain output port for each bit. If PEOD is selected as “0”, port PE is open drain output, and if selected as “1”, it is push-pull output. PEOD is write-only register and initialized as “0h” in reset state.

3.7.2. PE Data Register (PE)

<i>bit</i>	3	2	1	0	
PE	PE3	PE2	-	-	14h
<i>Initial value</i>	1	1	1	1	
<i>R/W</i>	R/W	R/W	-	-	

PE data register (PE) is 2-bit register to store data of port PE. The initial value of PE is “Fh” in reset state.

4. PERIPHERAL HARDWARE

4.1. Oscillation Circuit

There is only 1 type of Oscillation circuit.

It is Internal RC Oscillator circuit. The Internal Oscillator is calibrated in the OTP Writer. In STOP mode, Internal RC oscillator is stopped.

Clock from oscillation circuit makes CPU clock via clock pulse generator, and then provide peripheral hardware clock.

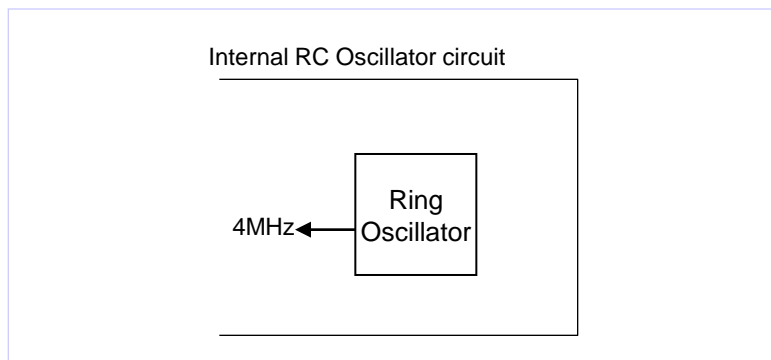


Fig. 4.1 Oscillator configurations

4.2. Watch Dog Timer (WDT)

Watch Dog Timer (WDT) is organized binary of 19 steps. The signal of $f_{osc}/4$ cycle comes in the first step of WDT after WDT reset. If the last step would be “1”, reset signal automatically comes out and internal circuit is initialized.

The overflow time is $2^{18} \times 4/f_{osc}$ (262.144ms at $f_{osc} = 4.0\text{MHz}$).

Normally, the binary counter must be reset before the overflow by using reset instruction (WDTC), Power-on reset pulse or Low VDD detection pulse.

* It is constantly reset in STOP mode. When STOP is released, counting is restarted.

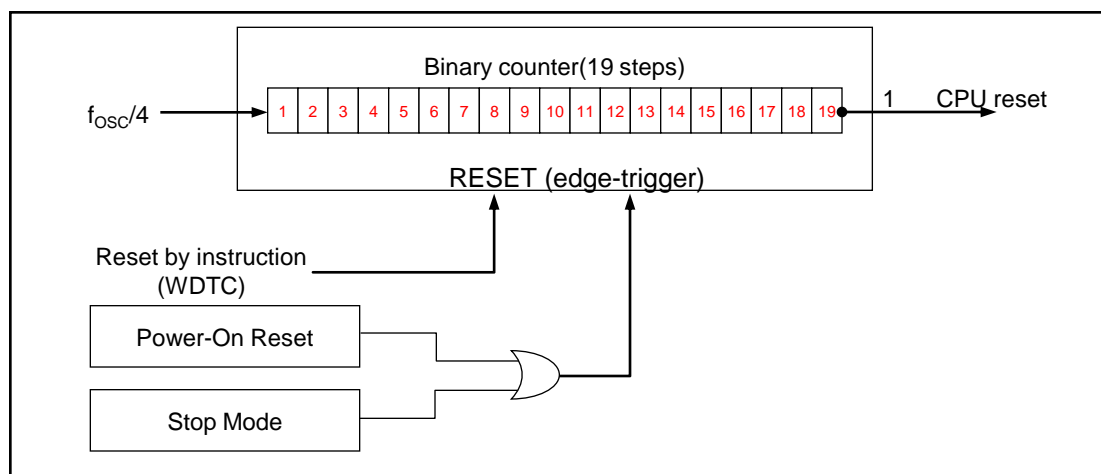


Fig. 4.2 Block Diagram of Watch Dog Timer (WDT)

4.3. Timer

4.3.1. Timer operation mode

Timer is basically made of Timer Data Register, Timer Mode Register and control circuit. The types of Timer are 8bit binary counter Timer0 (T0), 8bit binary counter Timer1 (T1), Carrier Generator (CG).

Timer0 Data Register consists of Timer0 Data 0 High Register (T0D0H), Timer0 Data 0 Low Register (T0D0L), Timer0 Data 1 High Register (T0D1H) and Timer0 Data 1 Low Register (T0D1L).

Timer1 Data Register consists of Timer1 Low Data Register (T1LD), Timer1 High Data Register (T1HD).

Carrier Generator consists of Carrier Generator High MSB Data Register (CGHMD), Carrier Generator High LSB Data Register (CGHLD), Carrier Generator Low MSB Data Register (CGLMD) and Carrier Generator Low LSB Data Register (CGLLD).

Timer0	- 8-bit Interval Timer - 8-bit rectangular-wave output
Timer1	- 8-bit Interval Timer - 8-bit rectangular-wave output
Carrier Generator	- 6-bit up-Counter - 6-bit rectangular-wave output

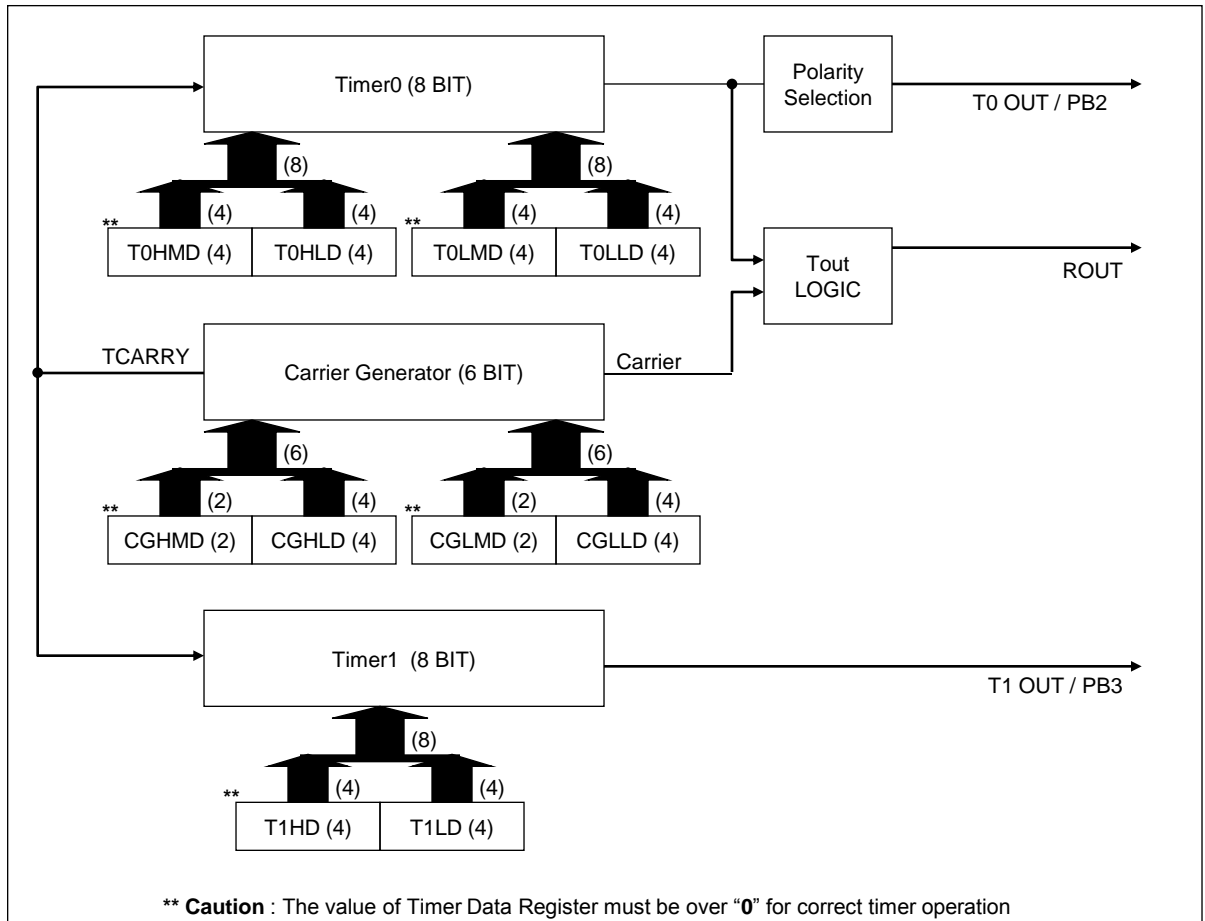


Fig. 4.3 Timer / Counter Block diagram

4.3.2. Function of Timer & Counter

fosc = 4MHz

8bit Timer (Timer0)		8bit Timer (Timer1)		Carrier Generator (CG)	
Resolution (CK)	Max. Count	Resolution (CK)	Max. Count	Resolution (CK)	Max. Count
TCK1 : 0.5 us	128 us	TCK1 : 0.5 us	128 us	TCK1 : 0.5 us	32 us
TCK2 : 1 us	256 us	TCK2 : 1 us	256 us	TCK2 : 1 us	64 us
TCK3 : 2 us	512 us	TCK3 : 2 us	512 us	TCK3 : 2 us	128 us
TCARRY(*)		TCARRY(*)		TCK4 : 4 us	256 us

(*) Resolution & Max. count of TCARRY clock is decided by output of Carrier Generator

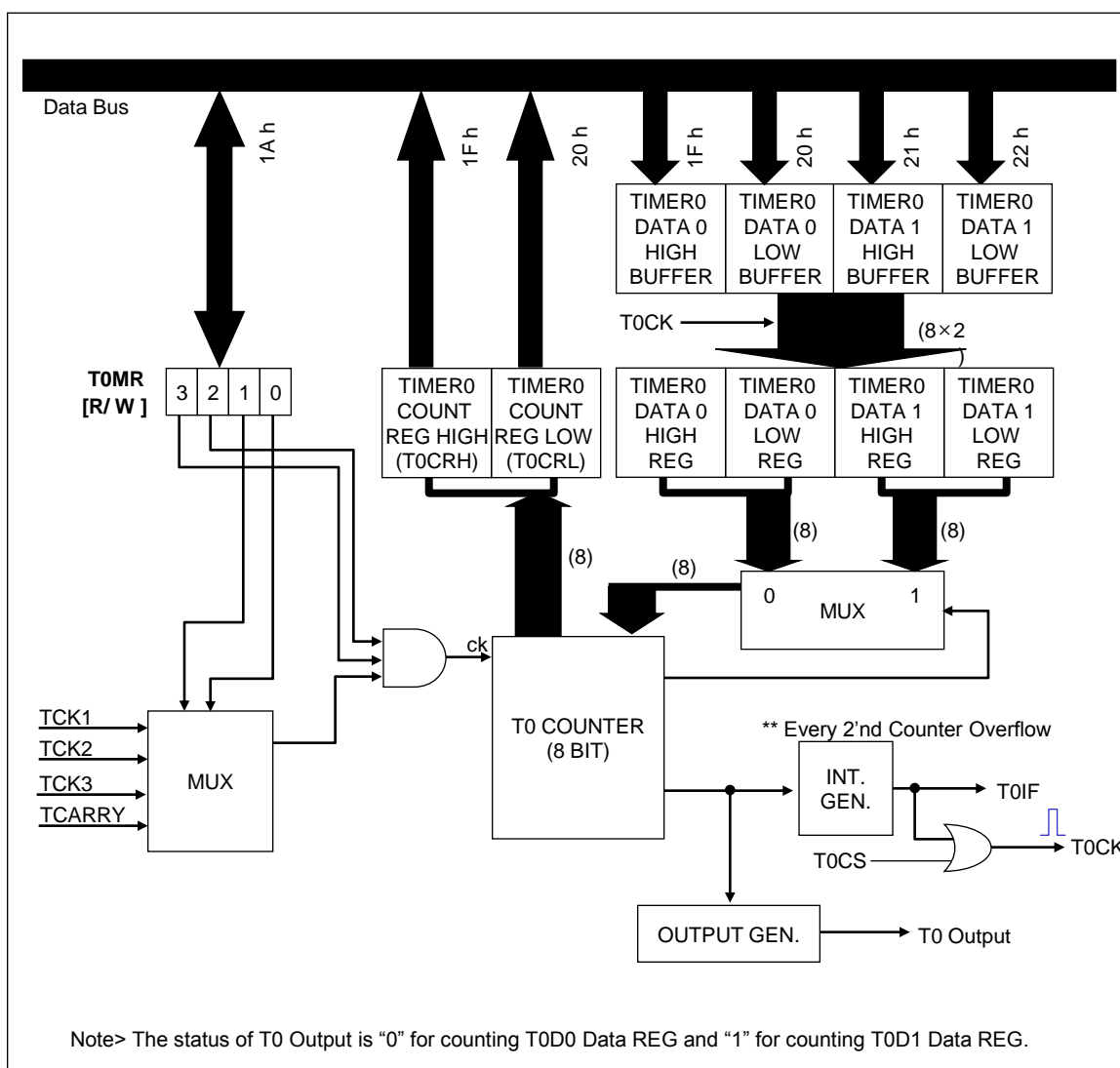


Fig. 4.4 Block Diagram of Timer0

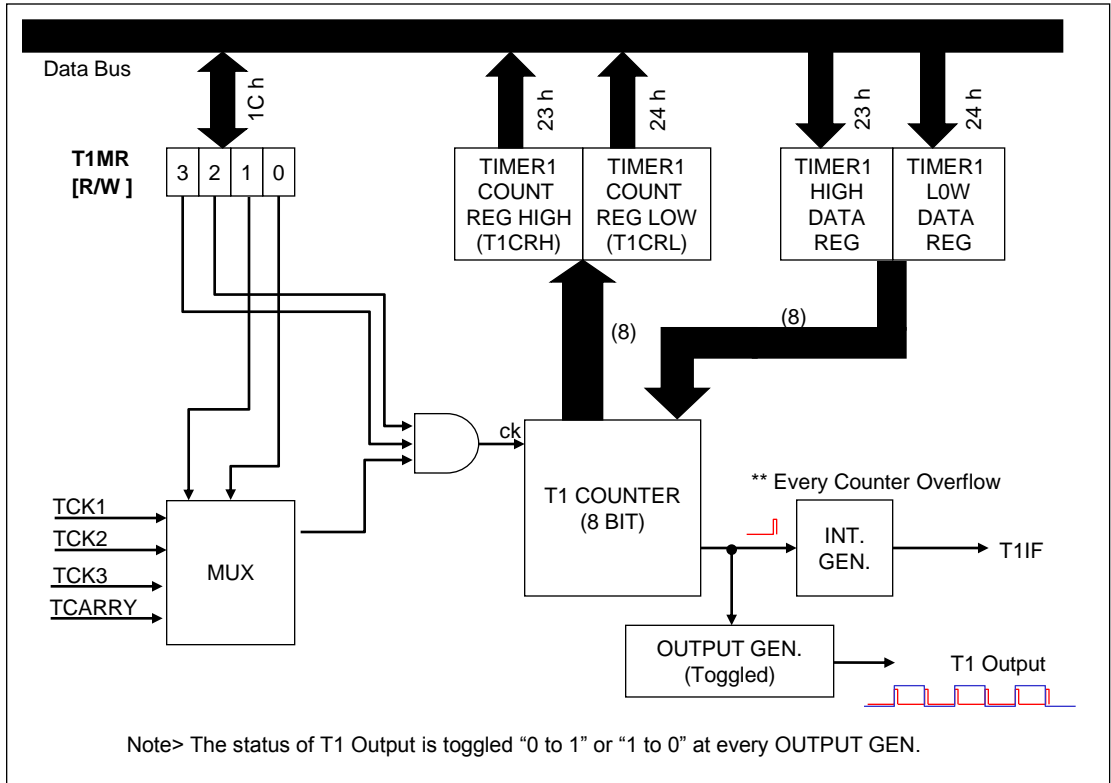


Fig. 4.5 Block Diagram of Timer1

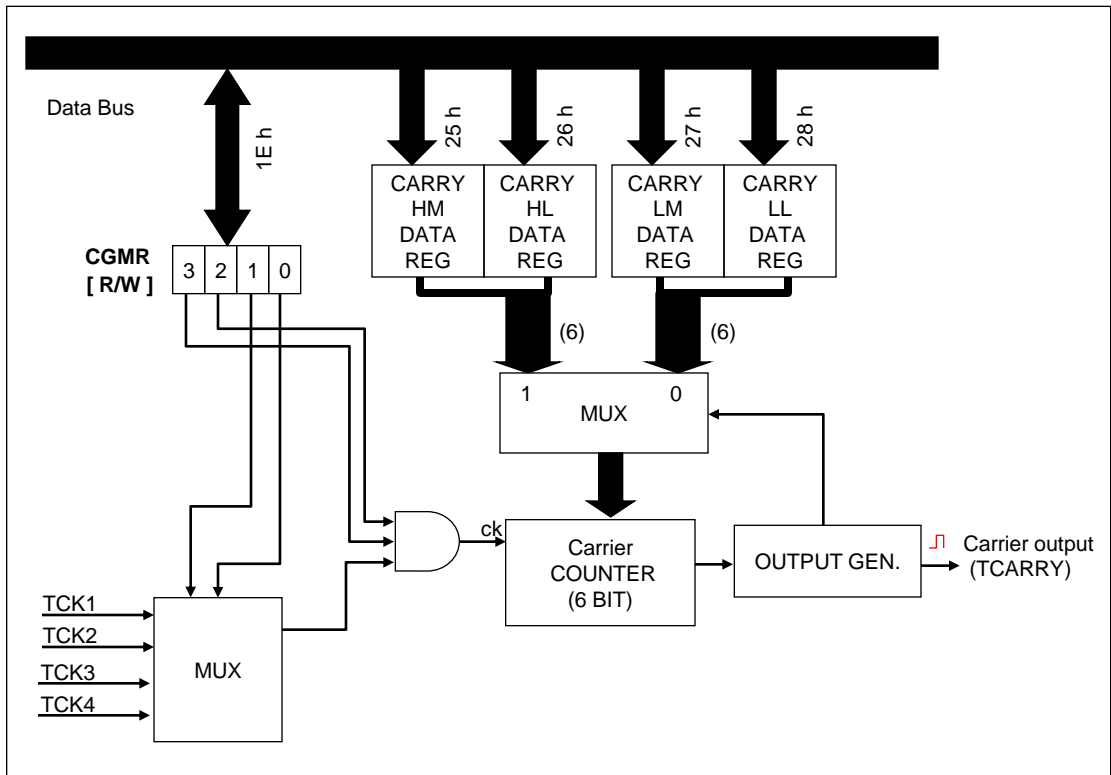


Fig. 4.6 Block Diagram of Carrier Generator

4.3.2.1. Timer0 Mode Register

<i>bit</i>	3	2	1	0	
T0MR [R/W]	T0CS	T0CN	T0CK1	T0CK0	1Ah
<i>Initial value</i> <i>R/W</i>	0 R/W	0 R/W	0 R/W	0 R/W	

T0CK1 & T0CK0	Input clock selection	00	TCK1 (500ns)
		01	TCK2 (1us)
		10	TCK3 (2us)
		11	TCARRY (output of Carrier Generator)
T0CN	Timer0 Pause / Continue Control	0	Timer0 Pause
		1	Timer0 continue
T0CS	Timer0 Clear / start Control	0	Timer0 Stop
		1	Timer0 Clear and Start

* Timer 0 counts with 'T0D0H+T0D0L' first , after overflowed counts with 'T0D1H+T0D1L'

4.3.2.2. Timer1 Mode Register

<i>bit</i>	3	2	1	0	
T1MR [R/W]	T1CS	T1CN	T1CK1	T1CK0	1Ch
<i>Initial value</i> <i>R/W</i>	0 R/W	0 R/W	0 R/W	0 R/W	

T1CK1 & T1CK0	Input clock selection	00	TCK1 (500ns)
		01	TCK2 (1us)
		10	TCK3 (2us)
		11	TCARRY (output of Carrier Generator)
T1CN	Timer1 Pause / Continue Control	0	Timer1 Pause
		1	Timer1 continue
T1CS	Timer1 Clear / start Control	0	Timer1 Stop
		1	Timer1 Clear and Start

4.3.2.3. Carrier Generator Mode Register

CGMR [R/W]	CGCS	CGON	CGCK1	CGCK0	1Eh
<i>Initial value</i> <i>R/W</i>	0 R/W	0 R/W	0 R/W	0 R/W	

CGCK1 & CGCK0	Input clock selection	00	TCK1 (500ns)
		01	TCK2 (1us)
		10	TCK3 (2us)
		11	TCK4 (4us)
CGON	Carrier Generator Output Control	0	Output of ROU without Carrier Pulse
		1	Output of ROU with Carrier Pulse
CGCS	Carrier Generator Clear / start Control	0	Carrier Generator Stop
		1	Carrier Generator Clear and Start

4.3.2.4. ROUT Control Register

bit	3	2	1	0	
RCR [R/W]	PR1	PR0	PRON	REM	1Dh
Initial value	0	0	0	0	
R/W	R/W	R/W	R/W	R/W	

* [] for ADAM41P2728/24/20

REM	Output of ROUT Bit Control (When PRON=0)	0	ROUT output Hi-Z [ROUT output low]
		1	ROUT output low [ROUT output high]
PRON	PR0 / PR1 Function Control	0	PR0 / PR1 Function Disable ("REM" bit active)
		1	PR0 / PR1 Function Enable ("REM" bit inactive)
PR0	Preset of ROUT Bit Control (When PRON=1)	0	ROUT "H" on counting Timer0 DATA0 (T0D0H + T0D0L) [ROUT "L" on counting Timer0 DATA0 (T0D0H + T0D0L)]
		1	ROUT "L" on counting Timer0 DATA0 (T0D0H + T0D0L) [ROUT "H" on counting Timer0 DATA0 (T0D0H + T0D0L)]
PR1	Preset of ROUT Bit Control (When PRON=1)	0	ROUT "H" on counting Timer0 DATA1 (T0D1H + T0D1L) [ROUT "L" on counting Timer0 DATA1 (T0D1H + T0D1L)]
		1	ROUT "L" on counting Timer0 DATA1 (T0D1H + T0D1L) [ROUT "H" on counting Timer0 DATA1 (T0D1H + T0D1L)]

* ROUT Pin is Controlled by REM when PRON bit =0
 * ROUT Pin is Controlled by PR0, PR1 when PRON bit =1
 Because Timer0 counts with Data0 (T0D0H+T0D0L) first , ROUT pin is controlled by PR0 initially.

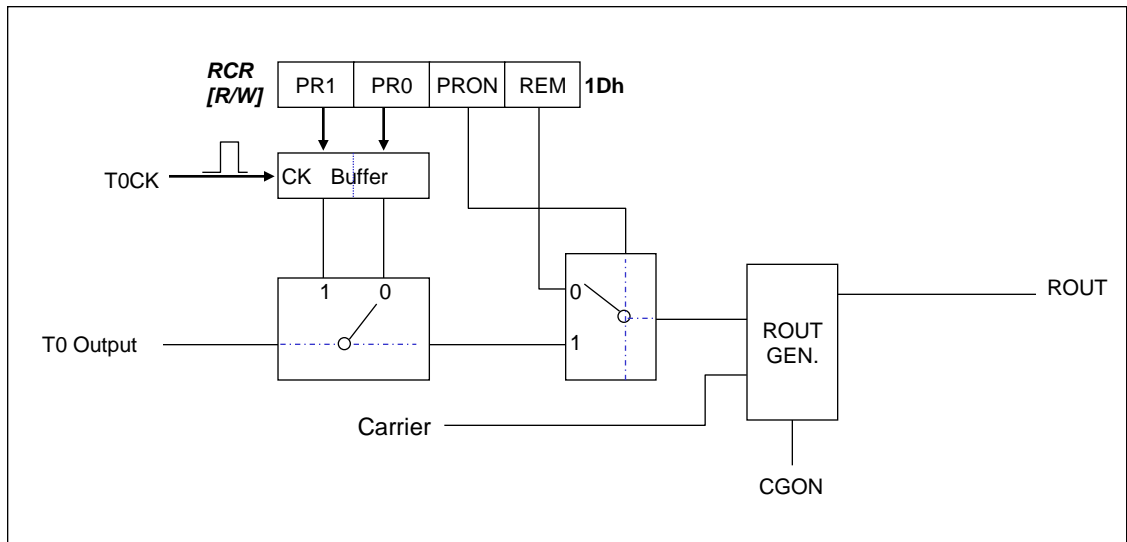
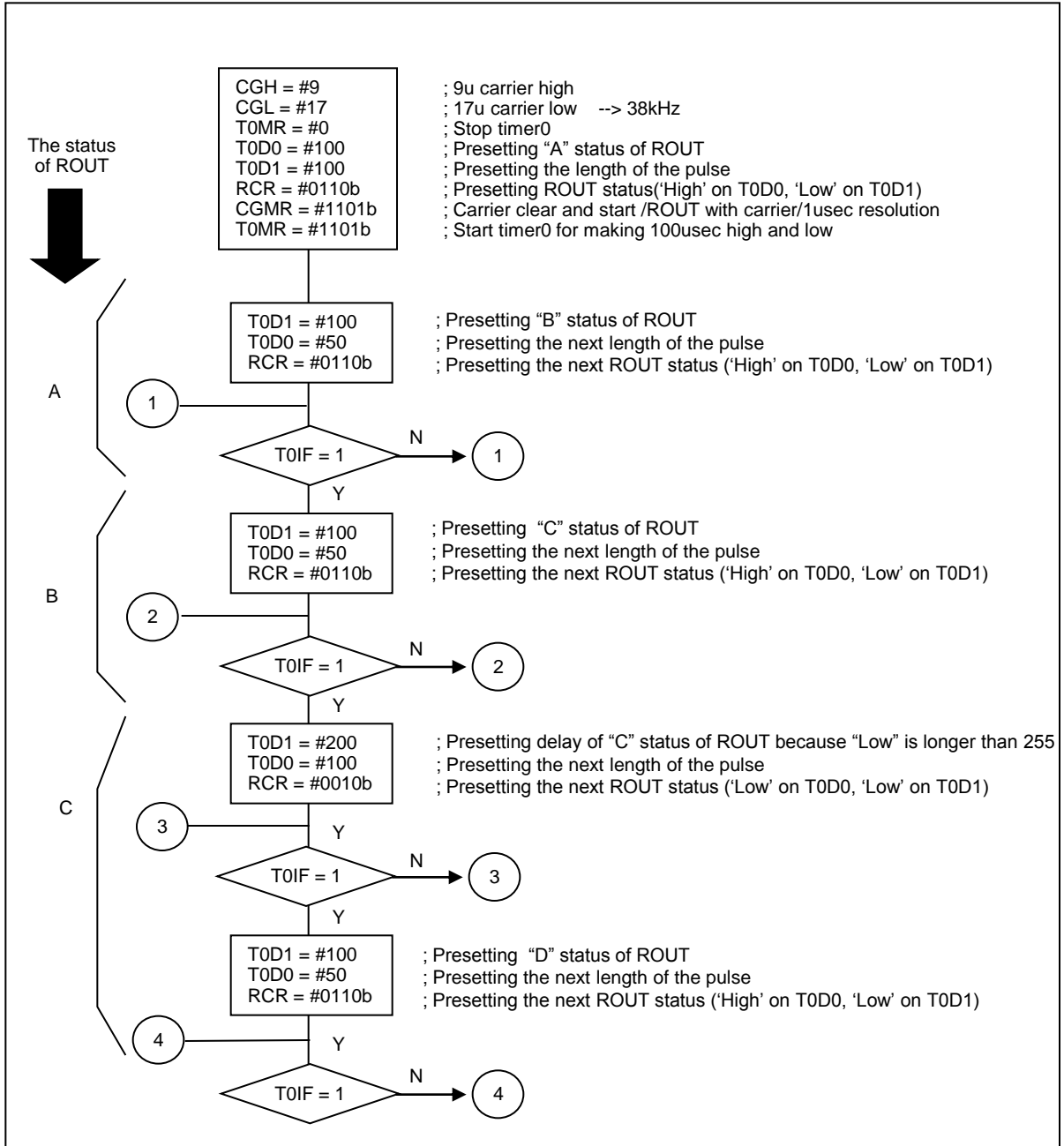
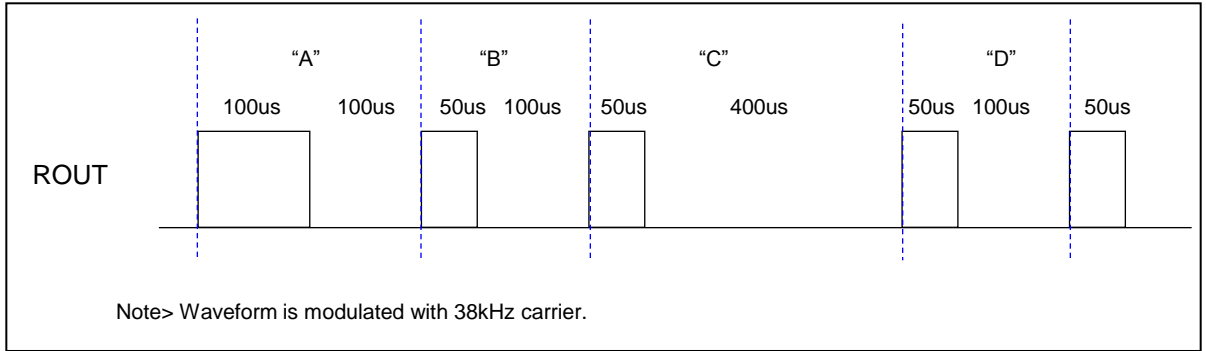


Fig. 4.7 Flow of controlling ROUT

4.3.2.5. Control of ROUIT with using Timer0 (for the case of ADAM41P2728/24/20)



4.3.3. Timer0

TIMER0 operates as a up-counter with two-8bit data register (T0D0H+T0D0L, T0D1H+T0D1L). When the value of the up-counter reaches the content of Timer Data Register, the up-counter is cleared to ``00 h``, and interrupt (T0IF) is occurred at the next clock. Internal clock (TCK) and the output of Carrier Generator (TCARRY) is used as counter clock.

The counter execution is controlled by T0CS, T0CN, of T0MR. T0CN is used to stop and start Timer0 without clearing the counter and T0CS does to clear and start the counter. During counting-up, value of counter can be read. Timer execution is stopped by the reset signal.

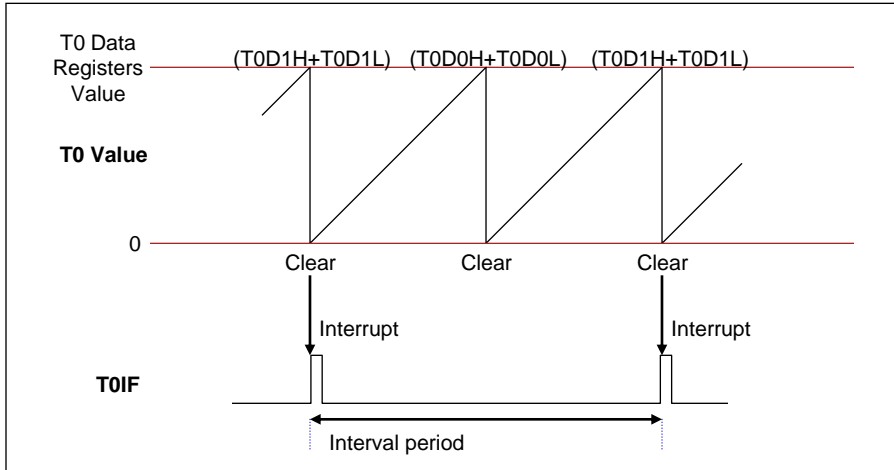


Fig. 4.8 Operation of Timer0

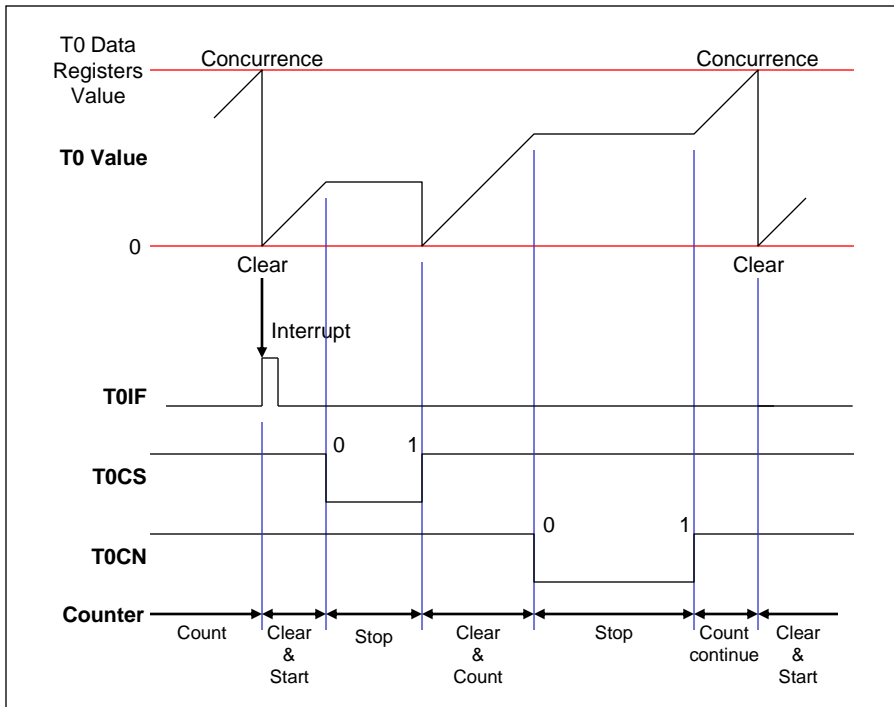


Fig. 4.9 Start / Stop operation of Timer0

4.3.4. Timer1

TIMER1 operates as a up-counter. Timer1 has 8bit data register (T1HD+T1LD).

When the value of the up-counter reaches the content of Timer Data Register, the up-counter is cleared to “00h”, and interrupt (T1IF) is occurred at the next clock.

Internal clock (TCK) and the output of Carrier Generator (TCARRY) is used as counter clock.

The counter execution is controlled by T1CS, T1CN, of T1MR.

T1CN is used to stop and start Timer1 without clearing the counter and T1CS does to clear and start the counter. During counting-up, value of counter can be read.

Timer execution is stopped by the reset signal.

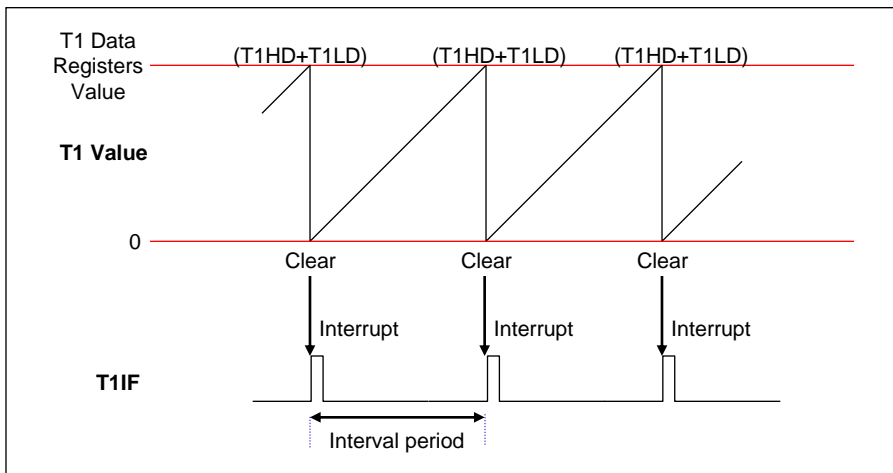


Fig. 4.10 Operation of Timer1

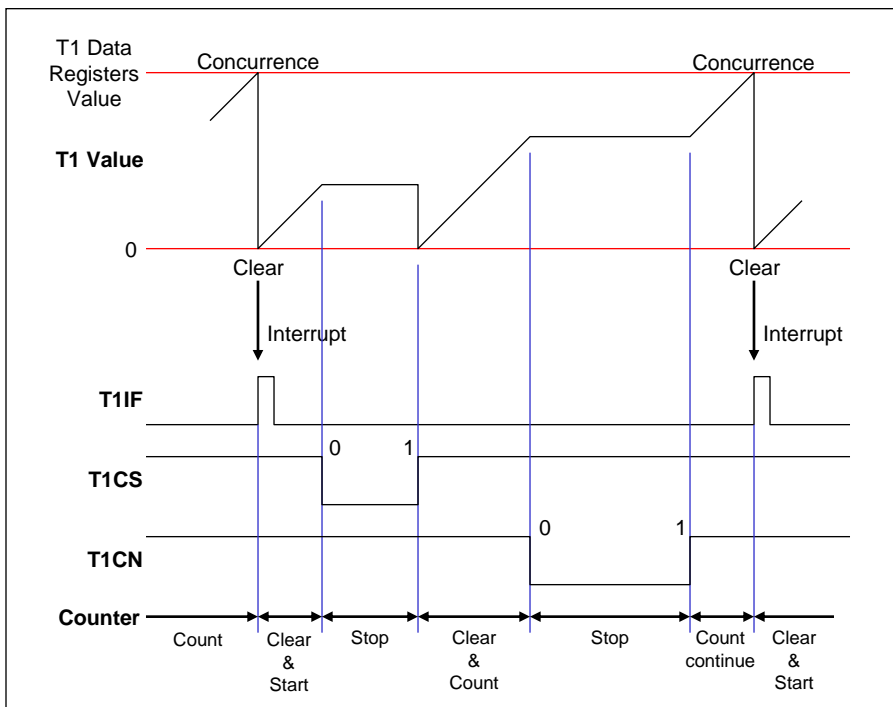


Fig. 4.11 Start / Stop operation of Timer1

4.3.5. Carrier Generator

Carrier Generator operates as a up-counter.

Carrier Generator has two 6bit-data register(CGHMD+CGHLD, CGLMD+CGLLD).

The execution of Carrier generator is controlled by CGF0,CGF1,CGON,CGCS of Carrier Generator Mode Register (CGMR).

When CGCS is set to ``1``, count value of Carrier Generator is cleared and starts counting-up.

Carrier Generator first counts CGLMD+CGLLD and next CGHMD+CGHLD.

CGLMD+CGLLD are for the pulse of the carrier (BURST) and CGLMD+CGLLD are for the low of the carrier (PAUSE).

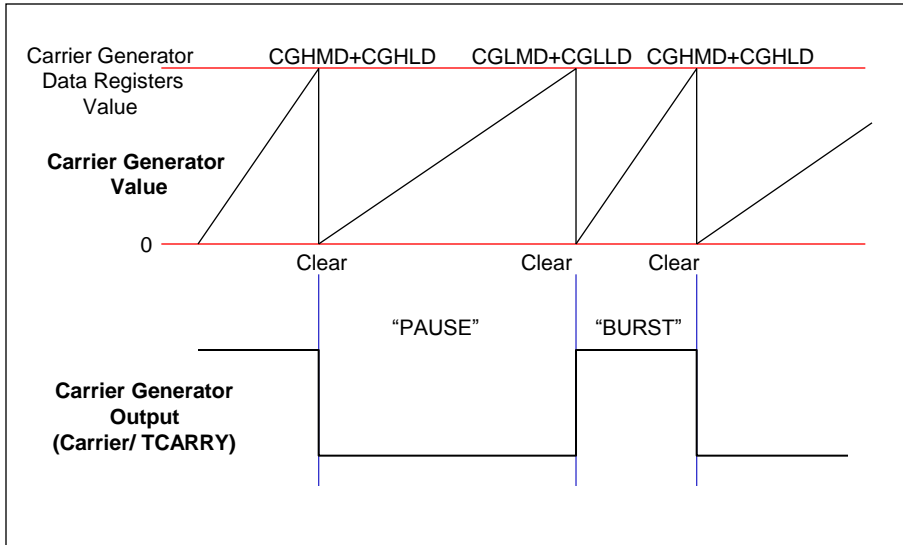


Fig. 4.12 Operation of Carrier Generator

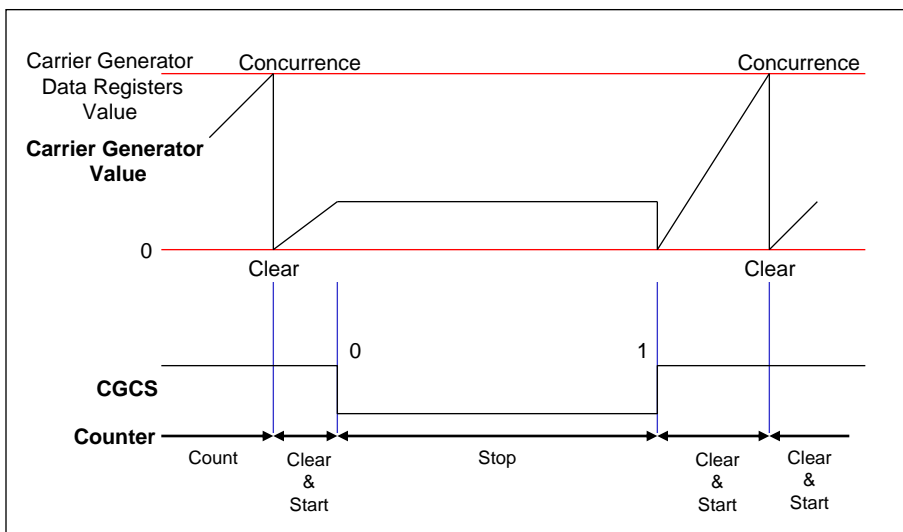


Fig. 4.13 Start/Stop of Carrier Generator

5. INTERRUPT

The ADAM41P272X contains 3 interrupt sources; 1 external and 2 internal. Nested interrupt services with priority control is also possible.

- ▶ 3 interrupt source (1Ext, 2Timer)
- ▶ 3 interrupt vector
- ▶ 3 level nested interrupt control is possible.
- ▶ Read of interrupt request flag are possible.
- ▶ In interrupt accept, request flag is automatically cleared.

Interrupt Enable Register (IENR), Interrupt Request Register (IRQR) and priority circuit. Interrupt function block diagram is shown in Fig. 5.1.

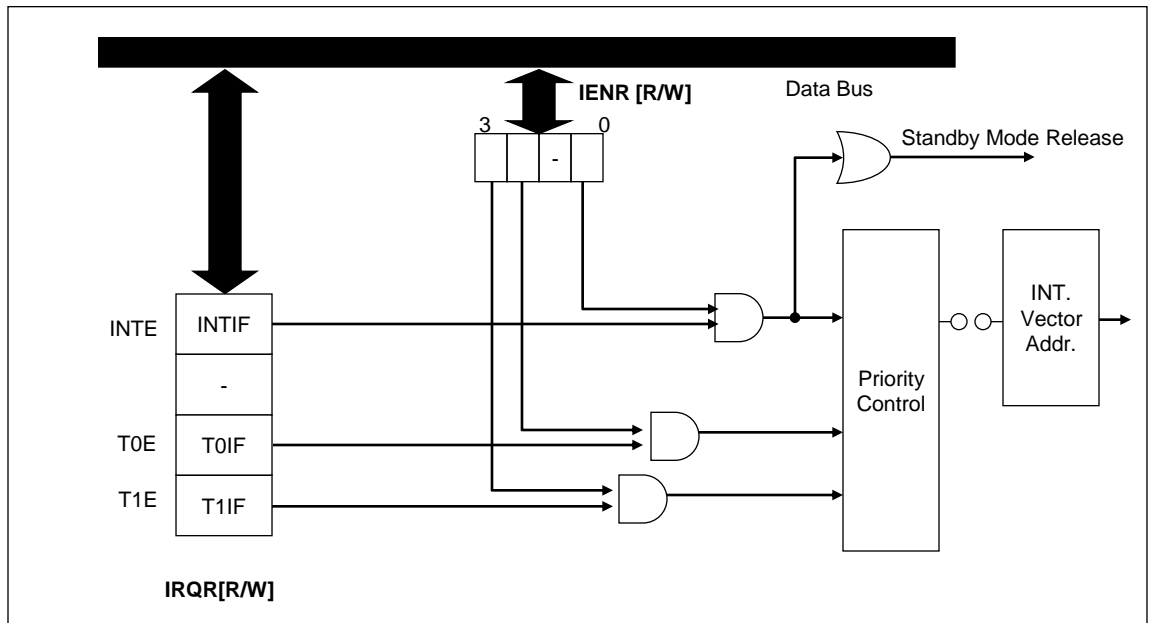


Fig. 5.1 Interrupt Source

5.1. Interrupt Source

Each interrupt vector is independent and has its own priority.

	Mask	Priority	Interrupt Source	INT Vector Addr.
Hardware Interrupt	Non-maskable	-	Reset	0000H
	maskable	1	INTE (External Interrupt)	0002H
		2	T0E (Timer0)	0006H
		3	T1E (Timer1)	0008H

Table 5.1 Interrupt Source

5.2. Interrupt Control Register

I flag of SFR is a interrupt mask enable flag. When I flag = “0”, all interrupts become disable. When I flag = “1”, interrupts can be selectively enabled and disabled by contents of corresponding Interrupt Enable Register(IENR).

When interrupt is occurred, interrupt request flag is set, and Interrupt request is detected at the edge of interrupt signal. The accepted interrupt request flag is automatically cleared during interrupt cycle process. The interrupt request flag maintains “1” until the interrupt is accepted or is cleared in program. In reset state, interrupt request flag register (IRQR) is cleared to “0”. It is possible to read the state of interrupt register and to manipulate the contents of register.

External Interrupt Edge selection Register

bit	3	2	1	0	
IEDS	-	-	IED1H	IED1L	17h
[W]					
Initial value	0	0	0	0	
R/W	W	W	W	W	

Note> Reserved bit must be 0.

IEDH & IEDL	00	-
	01	Falling Edge Selection
	10	Rising Edge Selection
	11	Both Edge Selection

Interrupt Enable Register

bit	3	2	1	0	
IENR	T1E	T0E	-	INTE	18h
[R/W]					
Initial value	0	0	0	0	
R/W	R/W	R/W	R/W	R/W	

Note> Reserved bit must be 0.

T1E	Timer1 interrupt Enable bit
T0E	Timer0 interrupt Enable bit
-	-
INTE	Ext. interrupt Enable bit

Interrupt Request Flag Register

bit	3	2	1	0	
IRQR	T1F	T0IF	-	INTIF	19h
[R/W]					
Initial value	0	0	0	0	
R/W	R/W	R/W	R/W	R/W	

Note> Reserved bit must be 0.

T1IF	Timer1 interrupt Request Flag bit
T0IF	Timer0 interrupt Request Flag bit
-	-
INTIF	Ext. interrupt Request Flag bit

5.2.1. Interrupt Timing

Interrupt Request Sampling Time

- Maximum 2 machine cycles (When execute LDW @ABR Instruction)
- Minimum 0 machine cycle

Interrupt preprocess step is 1 machine cycle.

5.2.2. The valid timing after executing Interrupt control instructions

I flag is valid just after executing of EI/DI on the contrary.

5.3. Interrupt Processing Sequence

When an interrupt is accepted, the on-going process is stopped and the interrupt service routine is executed. After the interrupt service routine is completed it is necessary to restore everything to the state before the interrupt occurred.

As soon as an interrupt is accepted, the content of the program counter is saved in the stack register and the contents of status flag register (SFR) is saved into the interrupt stack register (INTSK) which is 3 level stack area.

At the same time, the content of the vector address corresponding to the accepted interrupt, which is in the interrupt vector table, enters into the program counter and interrupt service is executed. In order to execute the interrupt service routine, it is necessary to write the jump addresses in the vector table (0002 h ~ 0008 h) corresponding to each interrupt.

Interrupt Processing Step

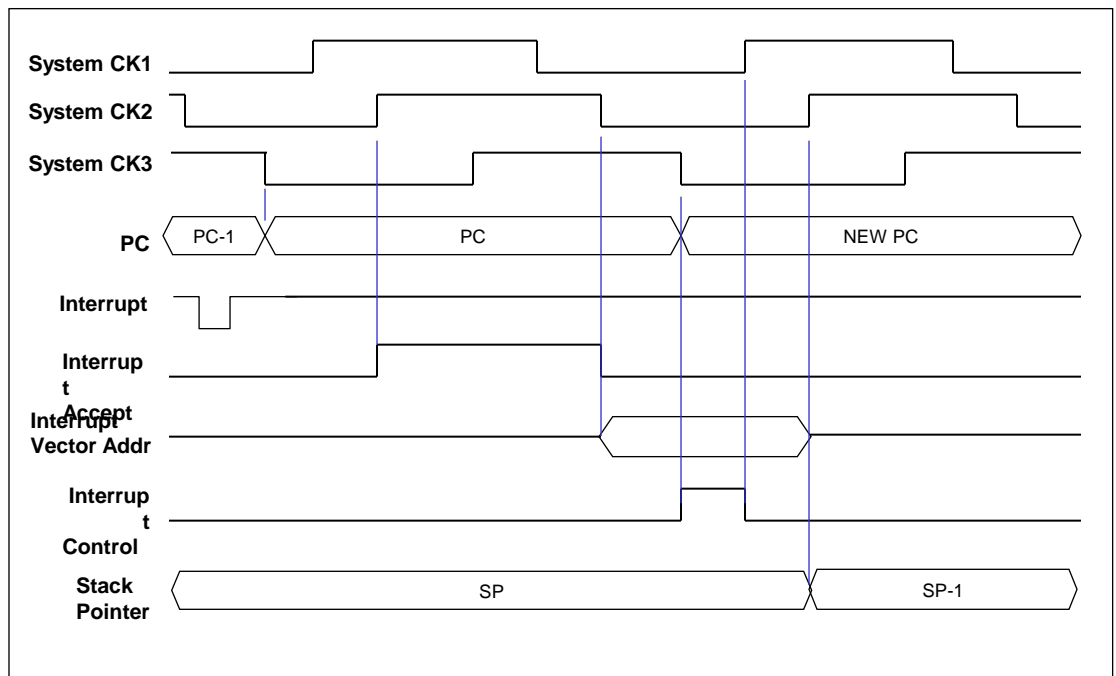
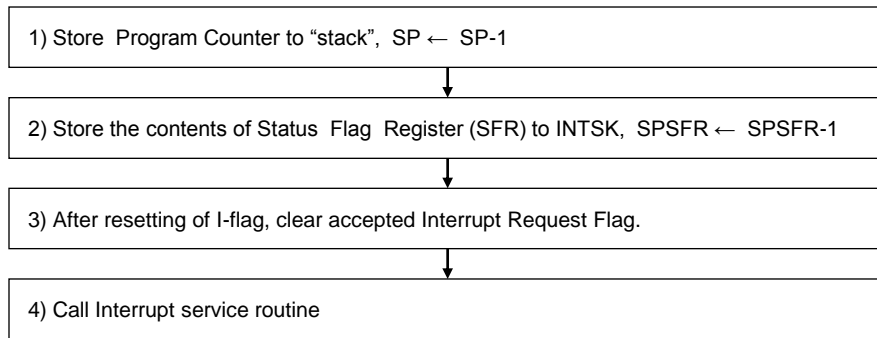


Fig. 5. 2 Interrupt Processing Step Timing

5.4. Multiple Interrupt

If there is an interrupt, Interrupt Mask Enable Flag is automatically cleared before entering the Interrupt Service Routine. After then, no interrupt is accepted. If EI instruction is executed, interrupt mask enable bit becomes ``1``, and each enable bit can accept interrupt request.

When two or more interrupts are generated simultaneously, the highest priority interrupt is accepted.

6. STOP FUNCTION

6.1. Stop Mode

STOP mode can be entered by STOP instruction during program. In STOP mode, oscillator is stopped to make all clocks stop, which leads to less power consumption. All registers and RAM data are preserved. "NOP" instruction should be follows STOP instruction for pre-charge time of Data Bus line.

ex) STOP : STOP instruction execution
 NOP : NOP instruction

Internal circuit		STOP mode
Oscillator		Stop
Internal CPU clock		Stop
Register		Retained
RAM		Retained
Ports	R1,PB,PC,PD,PE ports	Retained
	PA port	Low
	ROUT port	Hi-Z (for ADAM41P2727/23/21) Low (for ADAM41P2728/24/20)
Timer		Stop
Voltage Detection Indicator		Stop
Watch dog Timer		Reset and restart at stop release
Address Bus, Data Bus		Retained

Table 6.1 Operation State in Stop Mode

6.2. Stop Mode Release

Release of STOP mode is executed by Power on reset , inputting Low to Key input Port (one of R0, R1, PB) which is selected by R0ST, R1ST and PBST register for stop release, external interrupt and Low Voltage Detection (LVD) mode release . When there is a release signal of STOP mode, the instruction execution starts after oscillation stabilization time($2^{14} \times 4/f_{OSC} = 16.384ms$ at $f_{OSC} = 4.0MHz$)

Release Factor	Release Method
Power on reset	By Power on reset, Stop mode is release and system is initialized
R0, R1, PB Port (key input)	Stop mode is released by low input of pin selected by R0ST, R1ST, PBST register
External interrupt	Stop mode is released by external interrupt input
Release from LVD detection	Stop mode is released by LVD detection.

Table 6.2 Stop Mode Release

7. RESET FUNCTION

7.1. Power on RESET

Power On Reset circuit automatically detects the rise of power voltage (the rising time should be within 50ms). Until the power voltage reaches a certain voltage level, internal reset signal is maintained at "L" Level until internal oscillator is stable.

After power applies and starting of oscillation, this reset state is maintained for about oscillation stabilization time of $2^{16} \times 4/f_{osc}$ (about 65.536ms : at 4MHz).

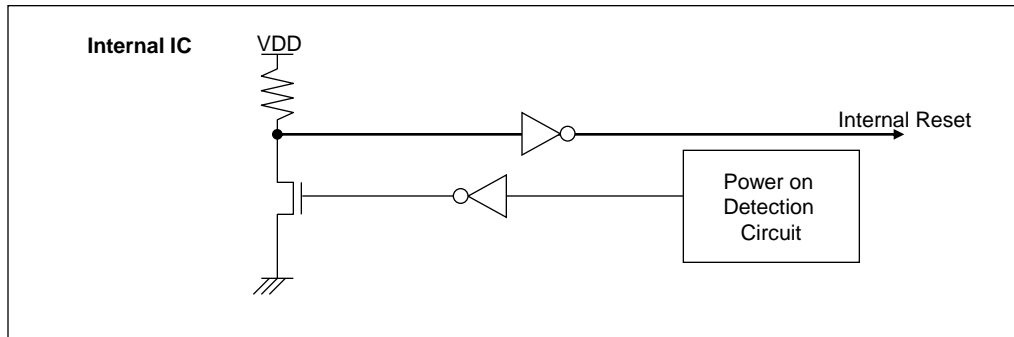


Fig. 7.1 Block Diagram of Power On Reset Circuit

8. LVD (Low Voltage Detection) Mode

8.1. Low Voltage Detection Condition

An on-board voltage comparator checks that V_{DD} is at the required level to ensure correct operation of the device. If V_{DD} is below a certain level, Low voltage detector forces the device into low voltage detection mode.

8.2. Low Voltage Detection Mode

There is no power consumption except stop current, stop mode release function is disabled. I/O port is configured as input mode(with pull-up resistor) and Data memory is retained until Voltage through external capacitor is worn out.

In this mode, output ports(PA, PC, PD, PE) are configured open drain "H" output (PC, PD Ports have Push-pull "H" output by Option) and I/O ports(R1 , PB) are fixed input with pull-up enabled (Pull-up disable is option in LVD mode).

8.3. Release of Low Voltage Detection Mode

Reset signal result from new battery (normally 3V) wakes the low voltage detection mode and come into normal reset state. It depends on user whether to execute RAM clear routine or not.

8.4. Voltage Detection Indicator Register

Voltage indication can be checked by reading of the Voltage Detection Indicator Data Register (VDIR). It is useful to display the consumption of Batteries.

If VDD power level is low and higher than low voltage detection (LVD) level (refer to Fig 9.1), the bit of VDIR register could be set according to the VDD level sequentially.

The VDD detection levels for indication are two, that is, VDIR0, VDIR1 of VDIR register.

The detection voltage level are VDIR1 (Typ. 2.5V) and VDIR0(Typ. 2.1V).

Voltage Detection Indicator is always operating but it is stopped in the STOP Mode.

In the in-circuit emulator, Voltage Detection Indicator function is not implemented and user can not experiment with it. Therefore after final development of user program, this function may be experimented or evaluated.

8.4.1. Voltage Detection Indicator Data Register (VDIR)

bit	3	2	1	0	
VDIR [R/W]	-	-	VDIR1	VDIR0	1Bh
Initial value	-	-	0	0	
R/W	-	-	R	R	

Voltage Detection Indicator Data Register (VDIR) is 2-bit register to store data of low voltage level. VDIR is read only register and initialized as "0h" in reset state.

9. SRAM DATA BACK-UP

9.1. SRAM DATA BACK-UP after Low Voltage Detection

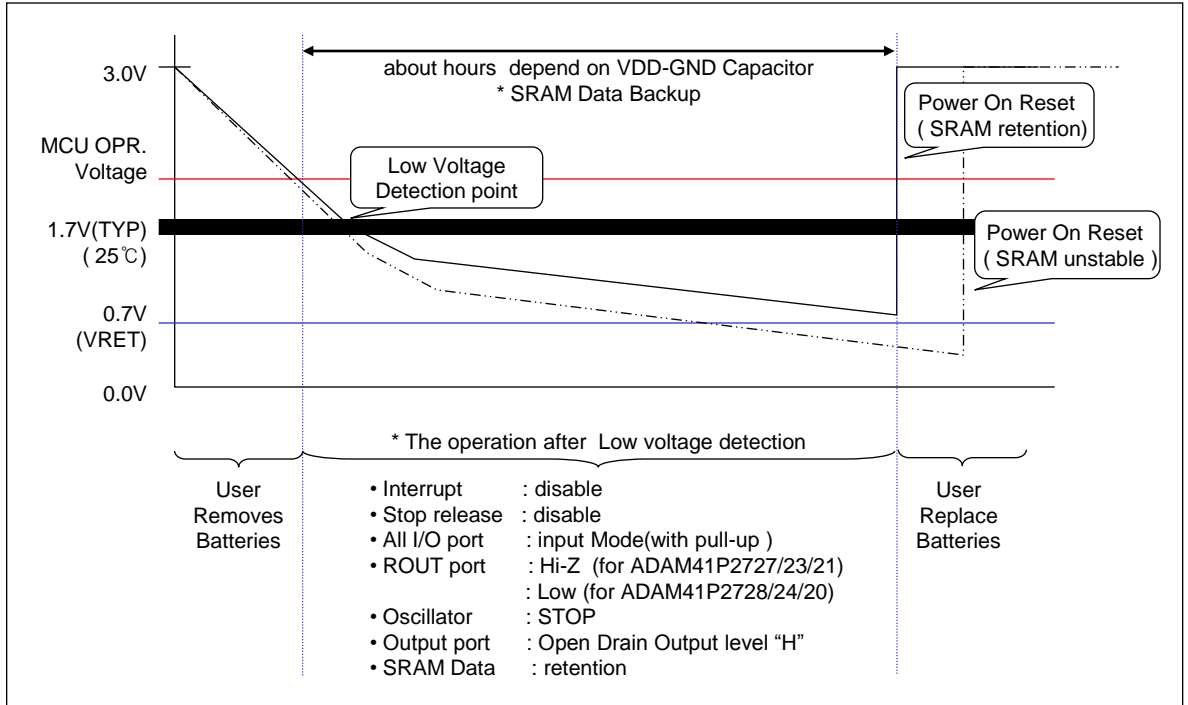


Fig. 9.1 Low Voltage Detection and Protection

9.2. S/W flow chart example after Reset using SRAM DATA Back-up

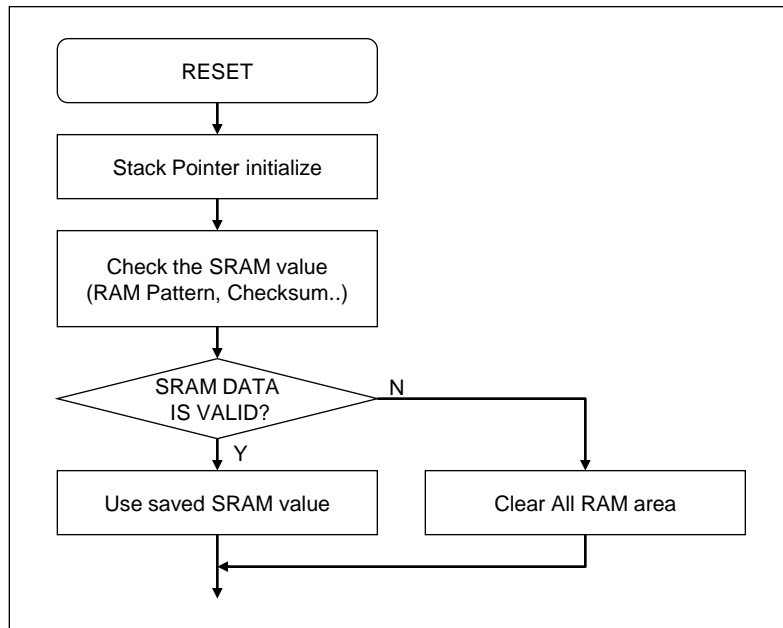
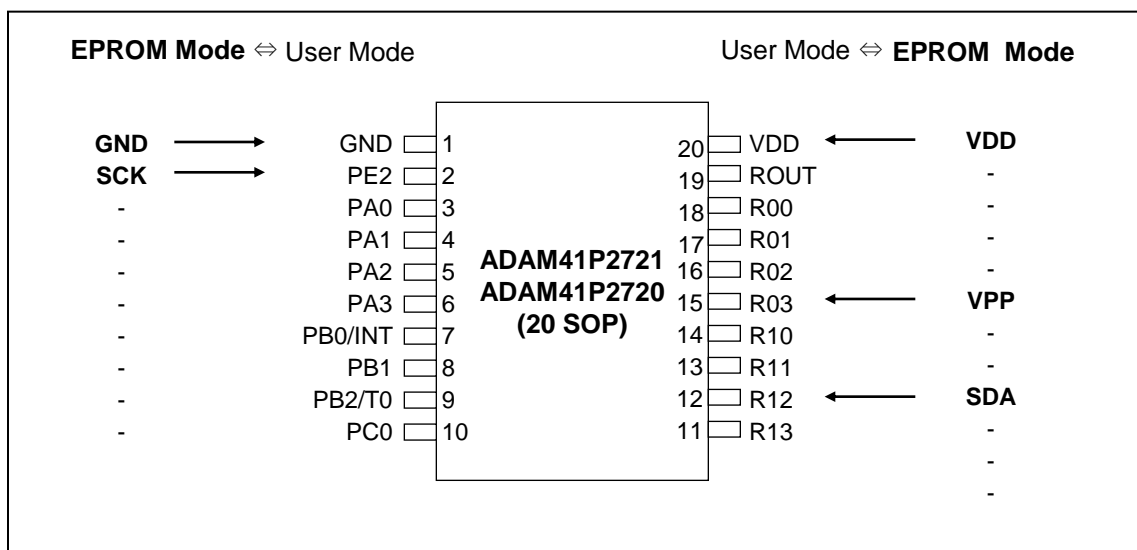


Fig. 9.2 S/W Flow Chart Example for SRAM Back-up



10.2. PIN Function

SYMBOL	User Mode	EPROM Mode
VDD	Power	VDD Power (typ. 5V)
GND	Ground	Ground (0V)
VPP	R03	Program/Verify Power (typ. 11.5V)
SCK	OSC1	Serial Clock Input
SDA	R12	Serial Data Input / Output (Open-Drain Output)

10.3. Configuration Option Description

10.3.1. Port Status Option at LVD Mode

- 15 Bit for Option bit are available.
- R1, PB Ports have Pull-up Resistor or not at LVD Mode
- PC, PD Ports are Push-Pull “high” output or High-Z(High- impedance output) at LVD Mode.
- Configuration Option Bit mapping List [Address : 8400h]

bit	15	14	13	12	11	10	9	8	7	6	5	4	3	2	1	0	
	-	PD3L	PD2L	PD1L	PD0L	PC2L	PC1L	PC0L	PB3L	PB2L	PB1L	PB0L	R13L	R12L	R11L	R10L	8400h
Initial value	1	1	1	1	1	1	1	1	1	1	1	1	1	1	1	1	

Bit Name	Option Description	Initial Value	Code Write Value	Option Result
-	-	1 (No Writing =default)	- -	- -
PD3L	PD3 is Push-Pull “High” or “High-Z” at LVD MODE	1 (No Writing =default)	0 1	PD3 Port is Push-Pull “High” at LVD Mode PD3 Port is “High-Z” at LVD Mode
PD2L	PD2 is Push-Pull “High” or “High-Z” at LVD MODE	1 (No Writing =default)	0 1	PD2 Port is Push-Pull “High” at LVD Mode PD2 Port is “High-Z” at LVD Mode
PD1L	PD1 is Push-Pull “High” or “High-Z” at LVD MODE	1 (No Writing =default)	0 1	PD1 Port is Push-Pull “High” at LVD Mode PD1 Port is “High-Z” at LVD Mode
PD0L	PD0 is Push-Pull “High” or “High-Z” at LVD MODE	1 (No Writing =default)	0 1	PD0 Port is Push-Pull “High” at LVD Mode PD0 Port is “High-Z” at LVD Mode
PC2L	PC2 is Push-Pull “High” or “High-Z” at LVD MODE	1 (No Writing =default)	0 1	PC2 Port is Push-Pull “High” at LVD Mode PC2 Port is “High-Z” at LVD Mode
PC1L	PC1 is Push-Pull “High” or “High-Z” at LVD MODE	1 (No Writing =default)	0 1	PC1 Port is Push-Pull “High” at LVD Mode PC1 Port is “High-Z” at LVD Mode
PC0L	PC0 is Push-Pull “High” or “High-Z” at LVD MODE	1 (No Writing =default)	0 1	PC0 Port is Push-Pull “High” at LVD Mode PC0 Port is “High-Z” at LVD Mode
PB3L	PB3 has Pull-up Resistor or not at LVD MODE	1 (No Writing =default)	0 1	PB3 has no Pull-up resistor at LVD Mode PB3 has Pull-up resistor at LVD Mode
PB2L	PB2 has Pull-up Resistor or not at LVD MODE	1 (No Writing =default)	0 1	PB2 has no Pull-up resistor at LVD Mode PB2 has Pull-up resistor at LVD Mode
PB1L	PB1 has Pull-up Resistor or not at LVD MODE	1 (No Writing =default)	0 1	PB1 has no Pull-up resistor at LVD Mode PB1 has Pull-up resistor at LVD Mode
PB0L	PB0 has Pull-up Resistor or not at LVD MODE	1 (No Writing =default)	0 1	PB0 has no Pull-up resistor at LVD Mode PB0 has Pull-up resistor at LVD Mode
R13L	R13 has Pull-up Resistor or not at LVD MODE	1 (No Writing =default)	0 1	R13 has no Pull-up resistor at LVD Mode R13 has Pull-up resistor at LVD Mode
R12L	R12 has Pull-up Resistor or not at LVD MODE	1 (No Writing =default)	0 1	R12 has no Pull-up resistor at LVD Mode R12 has Pull-up resistor at LVD Mode
R11L	R11 has Pull-up Resistor or not at LVD MODE	1 (No Writing =default)	0 1	R11 has no Pull-up resistor at LVD Mode R11 has Pull-up resistor at LVD Mode
R10L	R10 has Pull-up Resistor or not at LVD MODE	1 (No Writing =default)	0 1	R10 has no Pull-up resistor at LVD Mode R10 has Pull-up resistor at LVD Mode

11. INSTRUCTION SET**11.1. Legend**

A :	accumulator(4bit)
r :	peripheral address register(6bit)
[r] :	data addressed by peripheral address register (4bit)
Y :	Y register(4bit)
X :	X register(4bit)
ABR :	address buffer register(15bit)
ABRn :	address buffer register #0~2(4bit), #3(3bit)
[@ABR] :	data addressed by ABR(16bit)
DBR :	data buffer register(16bit)
DBRn :	data buffer register #0~3(4bit)
T0CR :	Timer 0 count register(8bit)
T1CR :	Timer 1 count register(8bit)
#n4 :	0~Fh
#n2 :	0~3
#n1 :	0~1
dp :	data address point(8bit)
dp+X+Y :	data address point indexed by X-register and Y-register (8bit)
m(dp) :	data addressed by dp
m(dp+X+Y) :	data addressed by dp+X+Y
PG :	Page address(1bit)
ADS :	address stack register
!abs :	address

11.2. INSTRUCTION SET TABLE

	Instruction Group	MNEMONIC	USAGE	OPERATION	S	CY	
1	ARITHMETIC	ADDC	ADDC m(dp),#n4	A = m(dp) + #n4 + CY A = m(dp+X+Y) + #n4 + CY at D flag of SFR is set. "S" set if overflow	C	O	
2			ADDC A,#n4	A = A + #n4 + CY, "S" set if overflow	C	O	
3			ADDC m(dp),A	A = m(dp) + A + CY A = m(dp+X+Y) + A + CY at D flag of SFR is set. "S" set if overflow	C	O	
4			ADDC ABRn,#n4	ABRn = ABRn + #n4 + CY, "S" set if overflow	C	O	
5			ADDC ABRn,A	ABRn = ABRn + A + CY, "S" set if overflow	C	O	
6			ADDC ABRn,Y	ABRn = ABRn + Y + CY, "S" set if overflow	C	O	
7			ADDC DBRn,#n4	DBRn = DBRn + #n4 + CY, "S" set if overflow	C	O	
8			ADDC DBRn,A	DBRn = DBRn + A + CY, "S" set if overflow	C	O	
9			ADDC DBRn,Y	DBRn = DBRn + Y + CY, "S" set if overflow	C	O	
10			ADDC Y,#n4	Y = Y + #n4 + CY, "S" set if overflow	C	O	
11			ADDC X,#n4	X = X + #n4 + CY, "S" set if overflow	C	O	
12		SUBC	SUBC	SUBC m(dp),#n4	A = m(dp) - #n4 - CY A = m(dp+X+Y) - #n4 - CY at D flag of SFR is set. "S" clear if underflow	B	W
13				SUBC A,#n4	A = A - #n4 - CY, "S" clear if underflow	B	W
14				SUBC m(dp),A	A = m(dp) - A - CY A = m(dp+X+Y) - A - CY at D flag of SFR is set. "S" clear if underflow	B	W
15				SUBC ABRn,#n4	ABRn = ABRn - #n4 - CY, "S" clear if underflow	B	W
16				SUBC ABRn,A	ABRn = ABRn - A - CY, "S" clear if underflow	B	W
17				SUBC ABRn,Y	ABRn = ABRn - Y - CY, "S" clear if underflow	B	W
18				SUBC DBRn,#n4	DBRn = DBRn - #n4 - CY, "S" clear if underflow	B	W
19				SUBC DBRn,A	DBRn = DBRn - A - CY, "S" clear if underflow	B	W
20				SUBC DBRn,Y	DBRn = DBRn - Y - CY, "S" clear if underflow	B	W
21				SUBC Y,#n4	Y = Y - #n4 - CY, "S" clear if underflow	B	W
22				SUBC X,#n4	X = X - #n4 - CY, "S" clear if underflow	B	W
23		ARRC	ARRC	A = A rotate right with CY	T	R	
24		ARLC	ARLC	A = A rotate left with CY	T	R	
25	COMPARE	CALE	CALE #n4	"S" set if A ≤ #n4	E		
26			CALE m(dp)	"S" set if A ≤ m(dp) "S" set if A ≤ m(dp+X+Y) at D flag of SFR is set.	E		
27		CANE	CANE #n4	"S" set if A != #n4	N		
28			CANE m(dp)	"S" set if A != m(dp) "S" set if A != m(dp+X+Y) at D flag of SFR is set.	N		

	Instruction Group	MNEMONIC	USAGE	OPERATION	S	CY	
29	COMPARE	CMLE	CMLE m(dp),#n4	"S" set if m(dp) ≤ #n4 "S" set if m(dp+X+Y) ≤ #n4 at D flag of SFR is set.	E		
30		CMNE	CMNE m(dp),#n4	"S" set if m(dp) != #n4 "S" set if m(dp+X+Y) != #n4 at D flag of SFR is set.	N		
31		CYNE	CYNE #n4	"S" set if Y != #n4	N		
32			CYNE A	"S" set if Y != A	N		
33		CXNE	CXNE #n4	"S" set if X != #n4	N		
34	BIT MANIPULATION	SET1	SET1 m(dp),#n2	Set bit m(dp).#n2 Set bit m(dp+X+Y).#n2 at D flag of SFR is set.	S		
35		CLR1	CLR1 m(dp),#n2	Clear bit m(dp).#n2 Clear bit m(dp+X+Y).#n2 at D flag of SFR is set.	S		
36		TM	TM m(dp),#n2	"S" set if m(dp).#n2 = 1 "S" set if m(dp+X+Y).#n2 = 1 at D flag of SFR is set.	E		
37		SETR1	SETR1 r,#n2	Set bit [r].#n2	S		
38		CLRR1	CLRR1 r,#n2	Set bit [r].#n2	S		
39		TSTR	TSTR r,#n2	"S" set if [r].#n2 Bit = 1	E		
40	CARRY MANIPULATION	CLRC	CLRC	Carry Bit of SFR is clear	S		
41		SETC	SETC	Carry Bit of SFR is set	S		
42		TSTC	TSTC	"S" set if Carry Test = 1	E		
43	DATA TRANSFER	LDM	LDM m(dp),#n4	m(dp) = #n4 m(dp+X+Y) = #n4 at D flag of SFR is set.	S		
44			LDM m(dp),A	m(dp) ← A m(dp+X+Y) ← A at D flag of SFR is set.	S		
45		LDA	LDA #n4	A = #n4	S		
46			LDA m(dp)	A ← m(dp) A ← m(dp+X+Y) at D flag of SFR is set.	S		
47			LDA X	A ← X	S		
48			LDA Y	A ← Y	S		
49		LDY	LDY #n4	Y = #n4	S		
50			LDY A	Y ← A	S		
51		LDX	LDX #n4	X = #n4	S		
52			LDX A	X ← A	S		
53		XMA	XMA m(dp)	A ↔ m(dp) A ↔ m(dp+X+Y) at D flag of SFR is set.	S		
54		LDW	LDW @ABR	DBR ← [@ABR]	**[Note]	S	
55			LDW DBR,ABR	DBR ← ABR	S		
56			LDW ABR,DBR	ABR ← DBR	S		
57			LDW DBR,T0CR	DBR0,DRB1 ← T0CR	S		
58	LDW DBR,T1CR		DBR0,DBR1 ← T1CR	S			

	Instruction Group	MNEMONIC	USAGE	OPERATION	S	CY
59	DATA TRANSFER	LPG	LPG #n1	PG = #n1	S	
60		LRA	LRA r	[r] ← A	S	
61		LAR	LAR r	A ← [r]	S	
62		LRI	LRI r,#n4	[r] = #n4	S	
63	INCREMENT	INC	INC ABR	ABR++	-	
64	BRANCH	BR	BR !abs	If S bit of SFR = 1, Absolute branch, PC ← !abs	S	
65			BR @ABR	If S bit of SFR = 1, Indirect branch, PG+PC ← ABR	S	
66	SUBROUTINE	CALL	CALL !abs	If S bit of SFR = 1, ADS ← PG+PC, SP ← SP-1, PC ← !abs	S	
67			CALL @ABR	If S bit of SFR = 1, ADS ← PG+PC, SP ← SP-1, PG+PC ← ABR	S	
68		RET	RET	SP ← SP+1, PG+PC ← ADS	S	
69		RETI	RETI	SPSFR ← SPSFR+1, SFR ← M(SPSFR) SP ← SP+1, PG+PC ← ADS	S	
70	ETC	NOP	NOP		S	
71		STOP	STOP		S	
72		WDTC	WDTC	Watch Dog Timer Clear	S	
73		SPC	SPC	Stack Pointer Clear	S	
74		XOR	XOR m(dp)	A = A ⊕ m(dp) A = A ⊕ m(dp+X+Y) at D flag of SFR is set.	S	
75		EIX	EIX	Index bit of SFR is set.	S	
76		DIX	DIX	Index bit of SFR is clear.	S	
77		EI	EI	Interrupt bit of SFR is set.	S	
78		DI	DI	Interrupt bit of SFR is clear.	S	
79		CMPL	CMPL	A = $\overline{A} + 1$	Z	

**[Note] The Instruction “LDW @ABR” execution time is 2cycle and execution process is as follow.
 SP = SP-1 , ADS ← PG+PC ,
 PG+PC ← ABR , DBR ← (PG+PC) , PG+PC ← ADS , SP = SP+1

** CARRY BIT(CY) hold previous value before execution CLRC/SETC instruction .
 Symbols have meaning as follows.
 { O : Carry bit is only set when overflow has occurred in operation.
 W : Carry bit is only set when borrow has occurred in operation.
 R : Carry bit is only set or reset according to shift bit.

** STATUS BIT(S) indicates conditions for changing status. Symbols have meaning as follows.
 { S : On executing an instruction, status bit is unconditionally set.
 C : Status bit is only set when overflow has occurred in operation.
 B : Status bit is only set when underflow has not occurred in operation.
 E : Status bit is only set when equality is found in comparison.
 N : Status bit is only set when equality is not found in comparison.
 Z : Status bit only set when the result is zero.
 T : Status bit only set when the carry has occurred in operation

12. ORDERING INFORMATION

ROM Size	Oscillator Type	IR LED Drive Tr.	PKG Type	Ordering Device
48K Bytes (MTP)	Internal RC Oscillator	Including IR LED Drive Tr.	20 SOP (300mil)	ADAM41P2721
			24 SOP (300mil)	ADAM41P2723
			28 SOP (300mil)	ADAM41P2727
			28 TSSOP (4.4mm)	ADAM41P2727T
		Excluding IR LED Drive Tr.	20 SOP (300mil)	ADAM41P2720
			24 SOP (300mil)	ADAM41P2724
			28 SOP (300mil)	ADAM41P2728
			28 TSSOP (4.4mm)	ADAM41P2728T

13. DEVELOPMENT SYSTEM

The ADAM41P272X are supported by In-Circuit Emulators , Assembler and 4-gang MTP Programmer.

In-Circuit Emulator	ADAM4 ICE
Assembler	ADAM Assembler
MTP Writer (Gang4)	ADAM MTP PROGRAMER



Fig 13.1 ADAM4 ICE Emulator



Fig 13.2 ADAM MTP PROGRAMER – Gang4