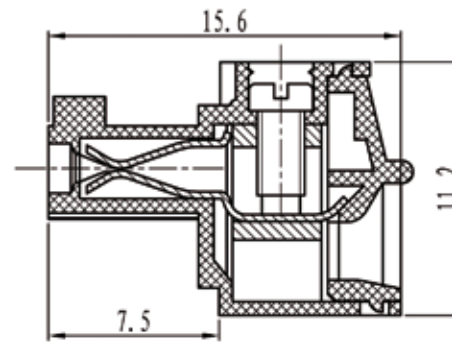
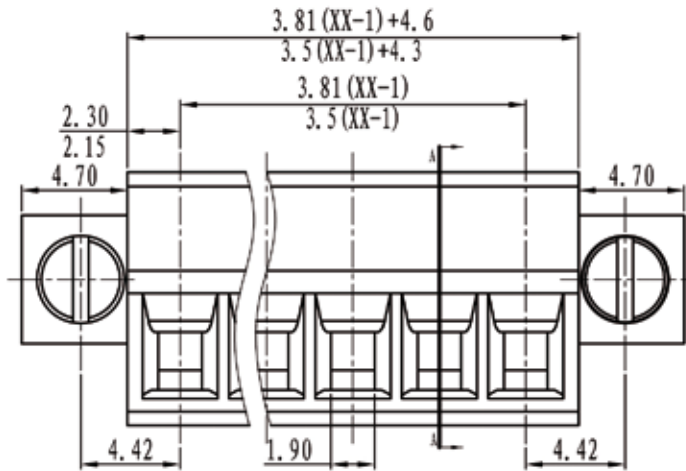


euro-block

product specification



SECTION A-A

Electrical

- Standard: UL-IEC
- Rated voltage: 125V-130V
- Rated current: 8A-7A
- Contact resistance: 20m Ω
- Wire range: 28-16AWG 1.5mm²
- Withstanding voltage: AC2000V/1Min
- Insulation resistance: 5000M Ω/DC1000V

Mechanical

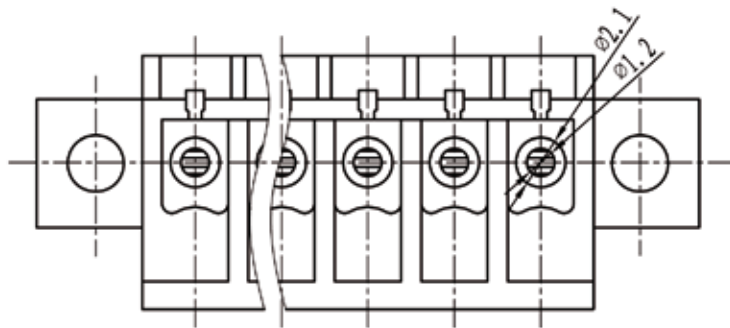
- Torque: 0.2Nm (1.7 Lb'in)
- Temp.Range: -40°C~+105°C
- Strip length: 6-7mm

Dimensions

- Pitch: 3.81mm/3.5mm
- Poles: 2p-24p

Material

- Housing: PA66, UL94V-0
- Screws: M2, steel Zinc plated
- Wire guard: Brass, Ni plated
- Clamp: Phosphor bronze, Ni plated



TOLERANCES EXCEPT AS NOTED

	linear dimension				fillet	chamfer	short angle sid			≡	—	□	//	⊥	
	to	over	over	over	to	to	to	to	to						to
variable range	to 6	over 6	over 30	over 120	all	to 6	to 6	to 10	to 10	to 50	to 120	all	to 5	to 30	to 120
tolerance	±0.1	±0.2	±0.3	±0.5	±0.2	±0.5	±1	1°	30'	20'	10'	0.5	0.025	0.06	0.4

UNITS	mm	SIZE	A4	SCALE	FIRST ANGLE PROJECTION	
					NAME	CRF-3.5/3.81-F