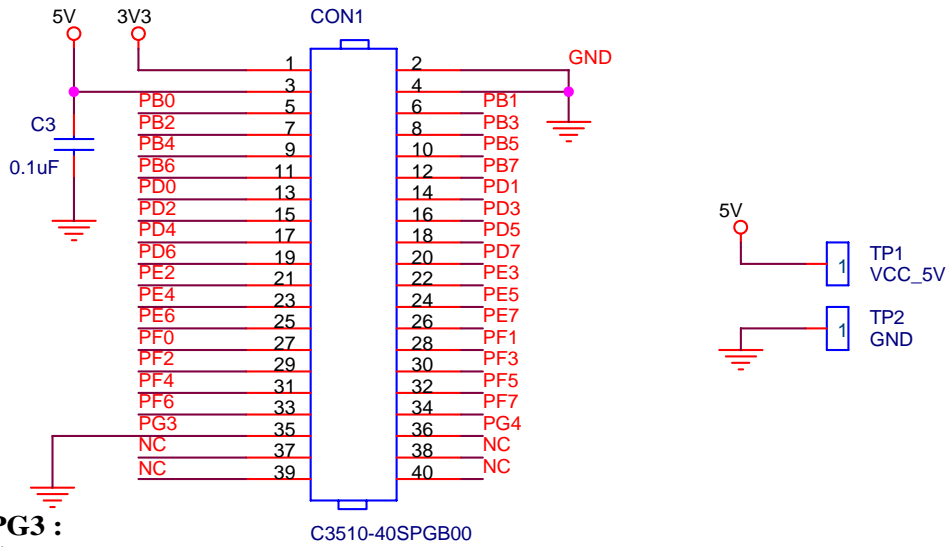
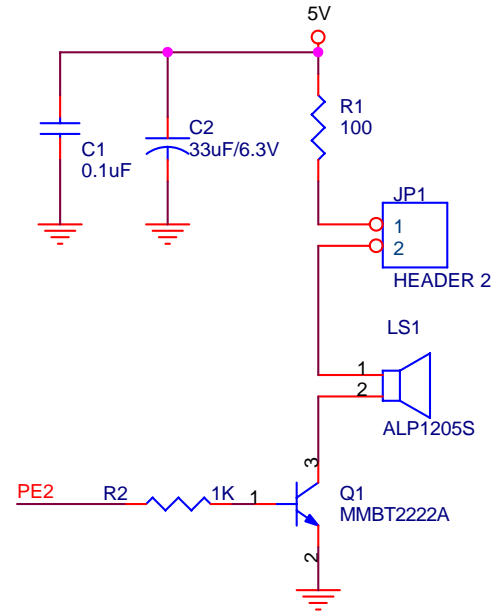


# Firmtech [FB80xED\_keypad]V1.2

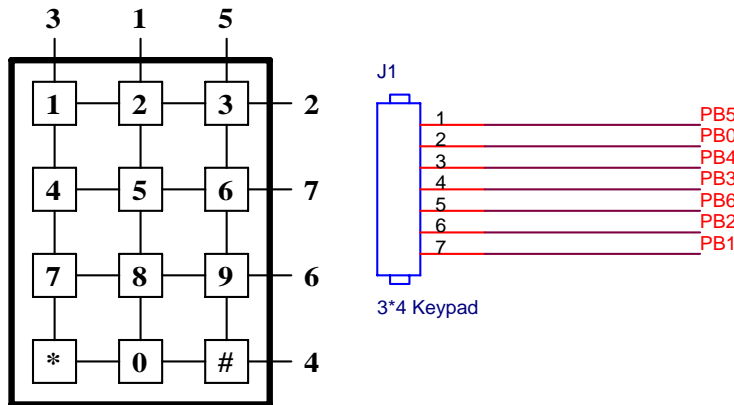


**PG3 :  
Sub board  
sensing  
port**

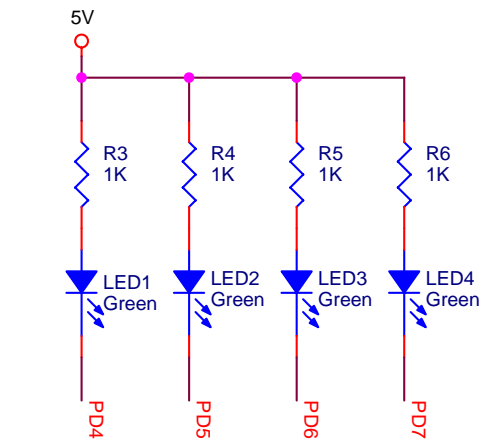
**FB800\_FB801ED Interface Connector**



**Buzzer Part**



**3\*4 Keypad part**



**Firmtech co., Ltd**

Title		
FB80xED Keypad Sub Board		
Size	Document Number	Rev
A	FB80xED_keypad V1_0	1.0
Date:	Friday, August 14, 2009	Sheet 1 of 1