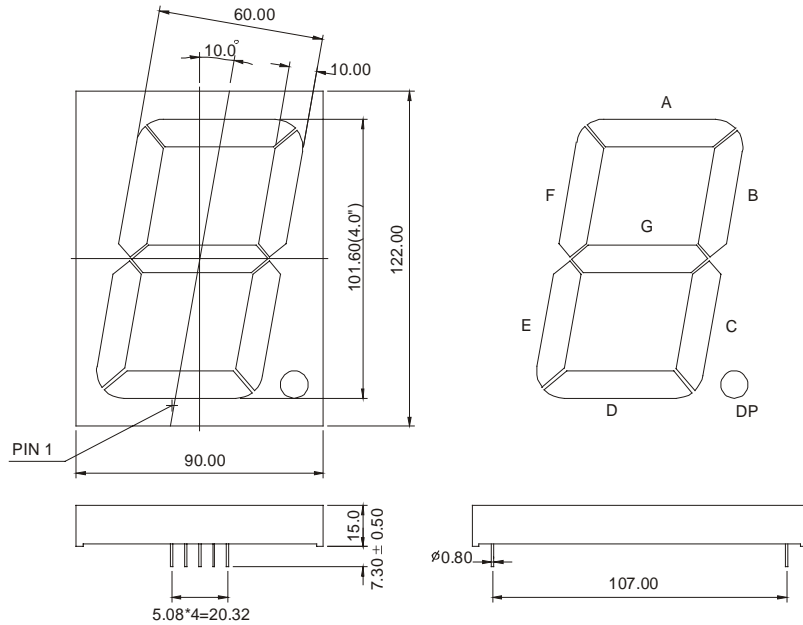
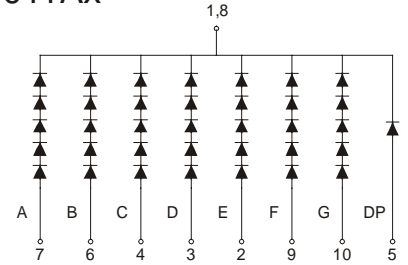


## GNS-40011Ax-Bx (SINGLE DIGIT LED DISPLAY)

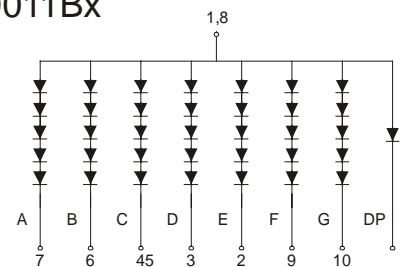
### GNS-40011 Series



### GNS-40011Ax



### GNS-40011Bx



### Features:

\*4.0 INCH HIGH CHARACTER.

\*EXCELLENT CHARACTER APPEARANCE.

\*COMMON CATHODE OR COMMON ANODE.

\*I.C.

COMPATIBLE .

\*LO

W POWER CONSUMPTION.

Part Number	EMITTED COLOR		Common Cathode or Common Anode	Peak Wavelength (nm)	Vf (v) Typ	If (mA)	Intensity Per Segment (mcd)	
							Min.	Typ.
GNS-40011AE	GaAsP/GaP	Hi.effi Red	Common Cathode	635	2.0	20	45	60
GNS-40011AG	GaP	Green		565	2.1	20	40	55
GNS-40011AY	GaAsP/GaP	Yellow		585	2.0	20	45	60
GNS-40011AS	GaAlAs	Super Red		660	1.8	20	50	65
GNS-40011AD	GaAlAs	Ultrs Red		660	1.8	20	125	150
GNS-40011AUE	AlGalnP	Ultra Red		625	2.0	20	150	175
GNS-40011AUY	AlGalnP	Ultra Yellow		590	2.0	20	150	175
GNS-40011BE	GaAsP/GaP	Hi.effi Red	Common Anode	635	2.0	20	45	60
GNS-40011BG	Gap	Green		565	2.1	20	40	55
GNS-40011BY	GaAsP/Gap	Yellow		585	2.0	20	45	60
GNS-40011BS	GaAlAs	Super Red		660	1.8	20	50	65
GNS-40011BD	GaAlAs	Ultrs Red		660	1.8	20	125	150
GNS-40011BUE	AlGalnP	Ultra Red		625	2.0	20	150	175
GNS-40011BUY	AlGalnP	Ultra Yellow		590	2.0	20	150	175