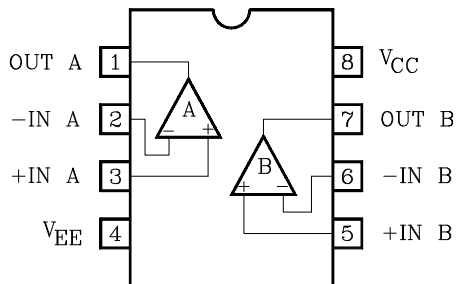


### DUAL OPERATIONAL AMPLIFIER

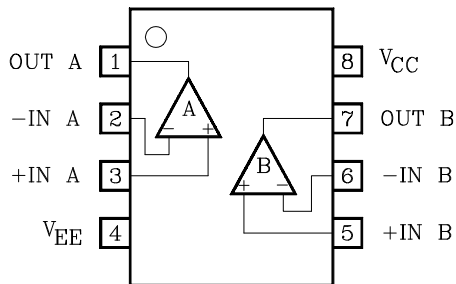
- In the Linear Mode the Input Common Mode Voltage Range Includes Ground.
- Two Internally Compensated OP Amps are in Single Package.
- Low Power Dissipation and Power Drain Suitable for Battery Operation.
- Differential Input Voltage Range Equal to the Power Supply Voltage.
- Wide Power Supply Voltage Range and Signal Power Supply : Single Supply  $3V_{DC}$  to  $36V_{DC}$   
Dual Supplies  $\pm 1.5V_{DC}$  to  $\pm 18V_{DC}$
- Large Output Voltage Swing :  $0V_{DC}$  to  $V_{CC}-1.5V_{DC}$
- Low Input Biasing Current :  $I_I=45nA_{DC}$  (Typ.)
- Possible to Exchange the Position of Pin⑨ for Pin① Because of Pin Connection Being Symmetric. (KIA358S only).
- The Pin① and Pin⑨ of Lead Frame was Each Other Connected (KIA358S Only).

### PIN CONNECTION (TOP VIEW)

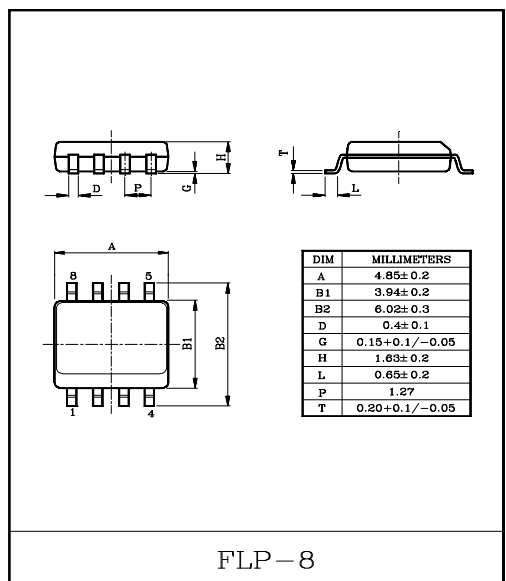
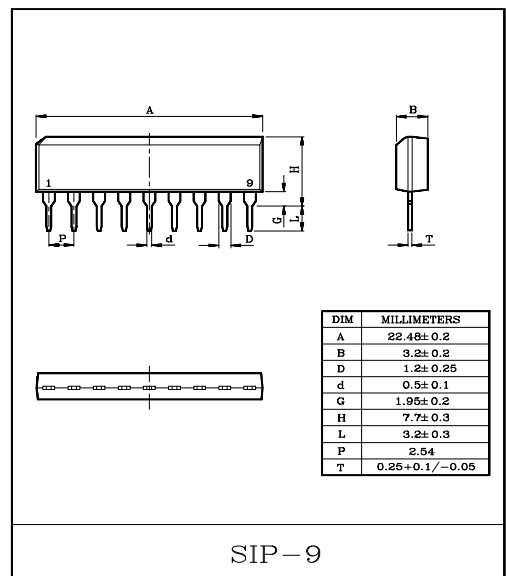
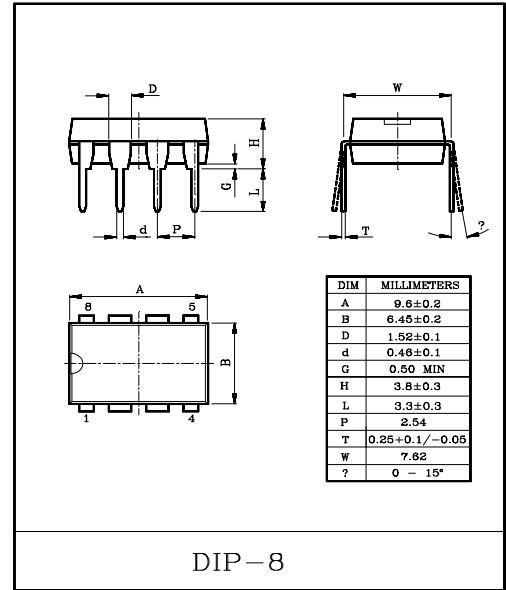
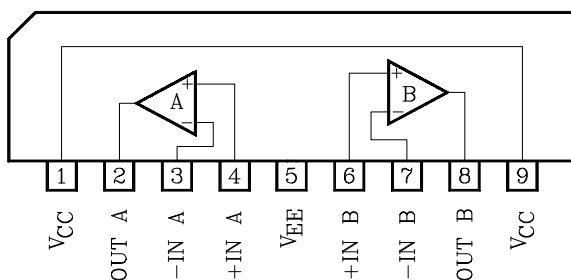
KIA358P



KIA358F



KIA358S

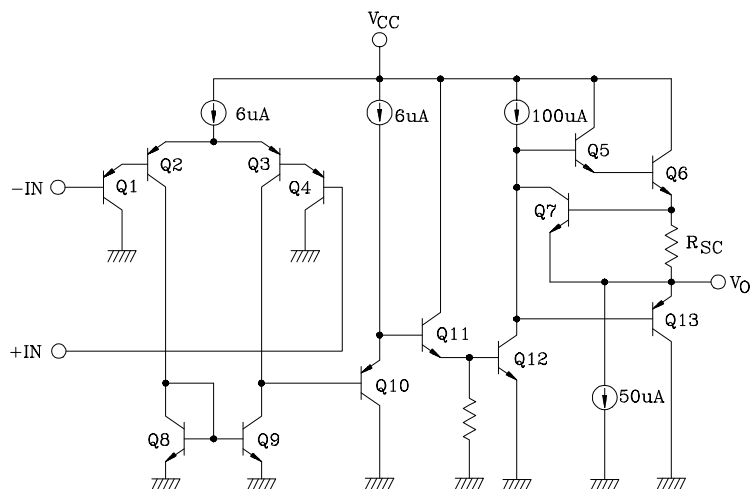


# KIA358P/S/F

## MAXIMUM RATINGS (Ta=25°C)

CHARACTERISTIC		SYMBOL	RATING	UNIT
Supply Voltage		V <sub>CC</sub>	36, +18	V
		V <sub>EE</sub>	0, -18	
Differential Input Voltage		DV <sub>IN</sub>	±36	V
Input Voltage		V <sub>IN</sub>	-0.3~36	V
Power Dissipation	KIA358P/S	P <sub>D</sub>	500	mW
	KIA358F		280	
Operating Temperature		T <sub>opr</sub>	-40~85	°C
Storage Temperature		T <sub>stg</sub>	-55~125	°C
Pin① to Pin⑨ Maximum Current	KIA358S	I <sub>MAX</sub>	1	A

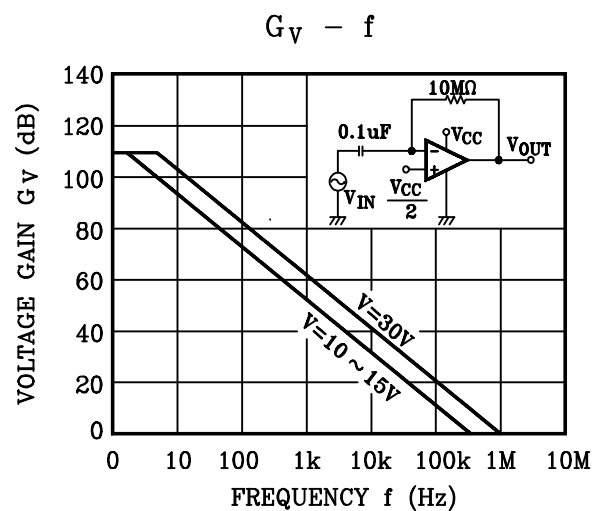
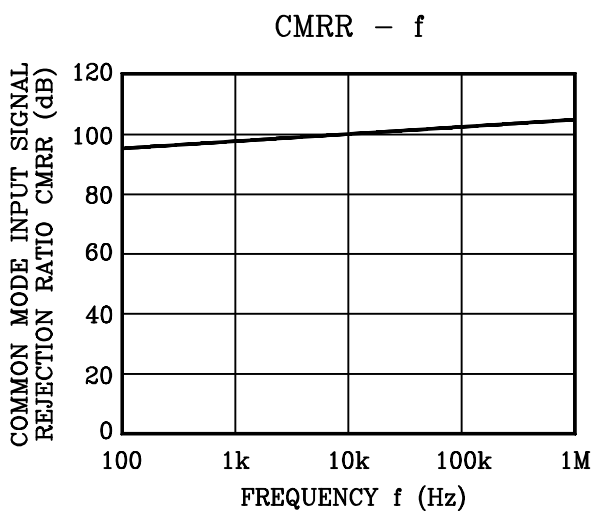
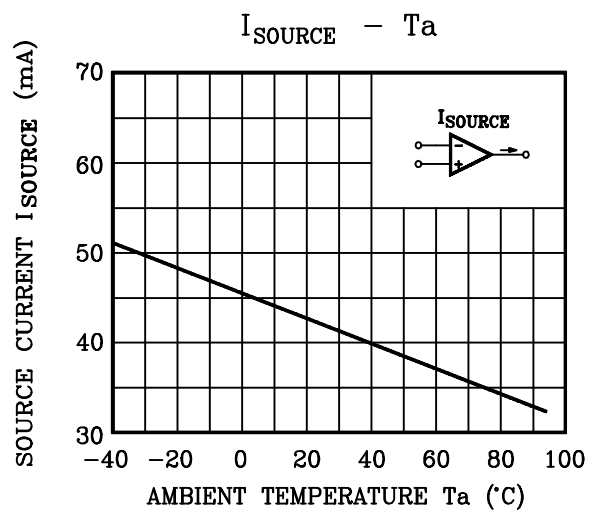
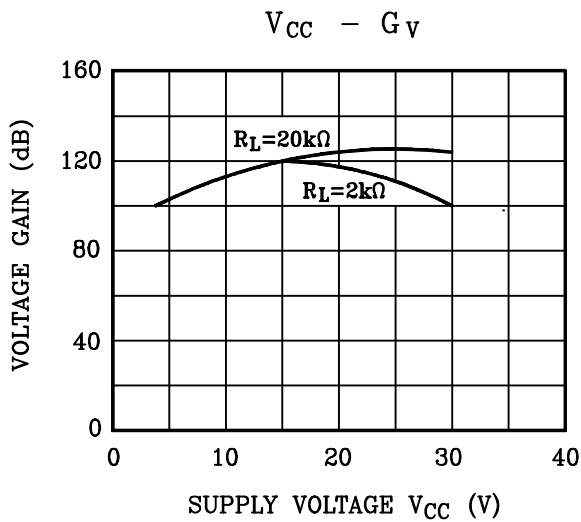
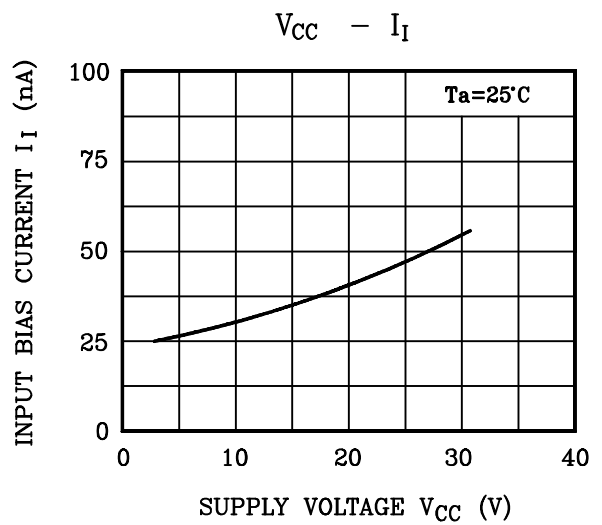
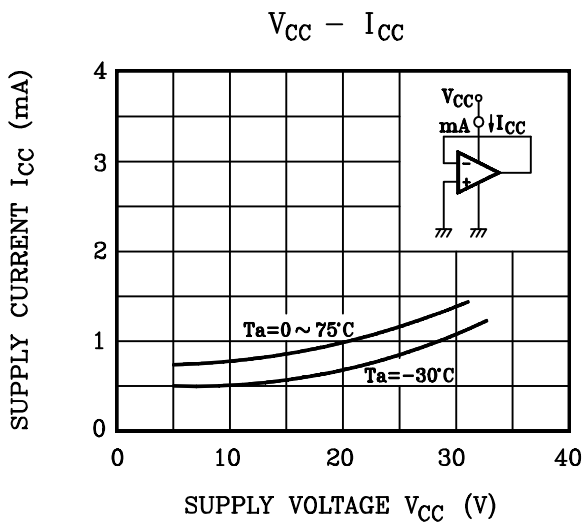
## EQUIVALENT CIRCUIT



## ELECTRICAL CHARACTERISTICS (V<sub>CC</sub>=5V, V<sub>EE</sub>=GND, Ta=25°C)

CHARACTERISTIC	SYMBOL	TEST CONDITION	MIN.	TYP.	MAX.	UNIT
Input Offset Voltage	V <sub>IO</sub>	R <sub>g</sub> ≤ 10kΩ	-	2	7	mV
Input Offset Current	I <sub>IO</sub>	-	-	5	30	nA
Input Bias Current	I <sub>I</sub>	-	-	45	150	nA
Common Mode Input Voltage	CMV <sub>IN</sub>	V <sub>CC</sub> =30V, V <sub>EE</sub> =GND	0	V <sub>CC</sub> -1.5	-	V
Supply Current	I <sub>CC</sub> , I <sub>EE</sub>	R <sub>L</sub> =∞, All OP Amps	-	0.7	1.2	mA
Voltage Gain	G <sub>V</sub>	R <sub>L</sub> ≥ 2kΩ	86	100	-	dB
Maximum Output Voltage Swing	V <sub>OP-P</sub>	R <sub>L</sub> =2kΩ	0	V <sub>CC</sub> -1.5	-	V
Common Mode Input Signal Rejection Ratio	CMRR	-	60	85	-	dB
Supply Voltage Rejection Ratio	SVRR	R <sub>g</sub> =10kΩ	60	100	-	dB
Source Current	I <sub>source</sub>	-IN=0V <sub>DC</sub> , +IN=1V <sub>DC</sub>	20	40	-	mA
Sink Current	I <sub>sink</sub>	-IN=1V <sub>DC</sub> , +IN=0V <sub>DC</sub>	10	20	-	mA

# KIA358P/S/F



# KIA358P/S/F

