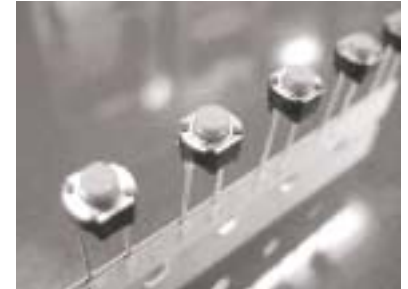




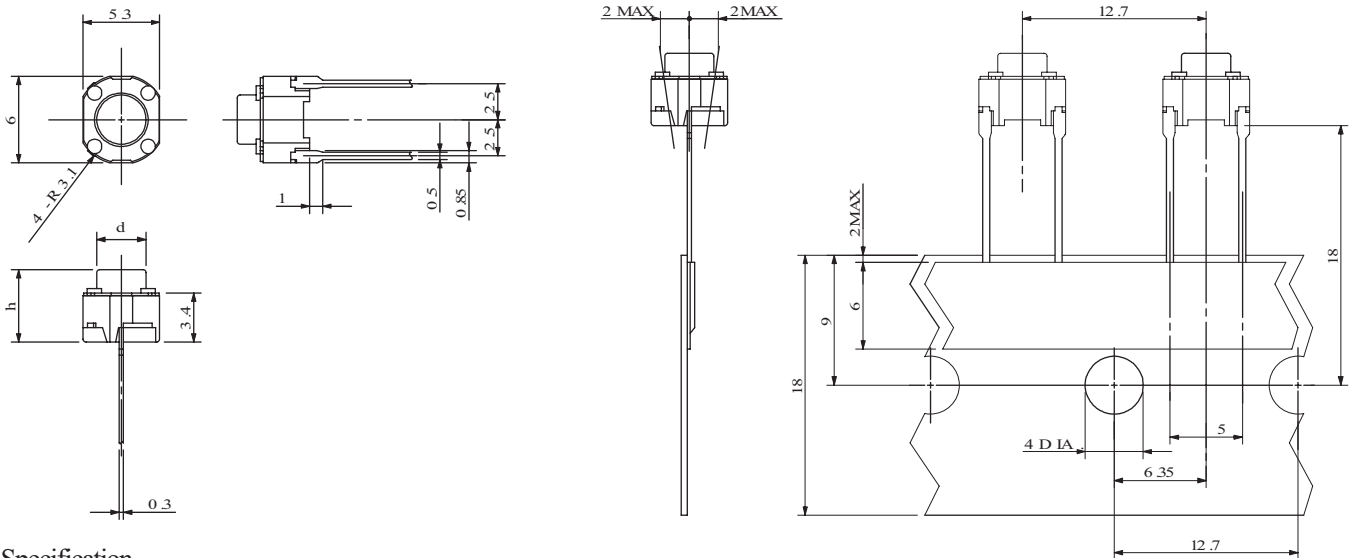
Tactile Switches 6mm × 5.3mm Radial Taped Top Push

■ Features

- Environment-friendly by providing lead-free type
- Line up long life type guaranteeing 1 million cycle
- Crisp clicking by tactile feedback
- Occupy less PCB space (87.8% of our conventional 6 × 6 type)
- Prevent flux uprise by insert molded terminal
- Radial taping for auto insertion and auto dip soldering



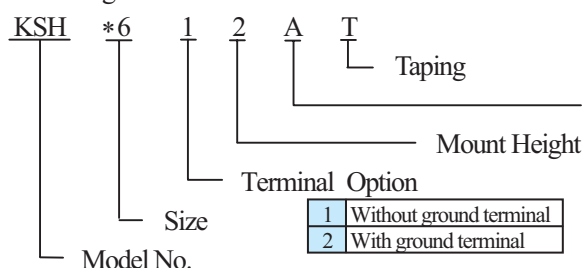
■ Dimensions (Unit: mm)



■ Specification

Item	Specification	Unit	Note
Operating Temperature Range	-25~+70	°C	
Storage Temperature Range	-40~+85	°C	
Type of Operation	Tactile Feedback		
Contact Configuration	Push-On Momentary, 1 Pole-1 Throw		
Power Rating	Max. 50mA 24VDC		
Contact Resistance	Max. 100	mΩ	
Insulation Resistance	100MΩ Min. at 100VDC		
Dielectric Withstand Voltage	250 VAC for 1 Minute		
Contact Bounce	Max. 5	ms	
Operating Force	0.98±0.49	N	A Type, D Type
Operating Force	1.57±0.49	N	B Type, E Type
Operating Force	2.55±0.69	N	G Type
Return Force	Min. 0.10	N	A Type, D Type
Return Force	Min. 0.49	N	B Type, E Type
Return Force	Min. 0.49	N	G Type
Travel	0.25 -0.1/+0.2	mm	

■ TModel Designation



Operating Force

	h	d
1	4.3	φ3.5
2	5.0	φ3.5
3	7.0	φ3.3
4	9.5	φ3.0

	Operating Force	Operating Life	Stem Color
A	0.98	100,000 cycle	White
B	1.57	100,000 cycle	Black
C	0.98	1 million cycle	Yellow
D	1.57	1 million cycle	Light-Blue
E	2.55	1 million cycle	Red