

SPECIFICATIONS

Mechanical

Mating Force: 4.50Kg (9.91Lb) max.
Unmating Force: 0.90~2.70Kg (1.98~5.95Lb)
Durability: 500 Cycles

Electrical

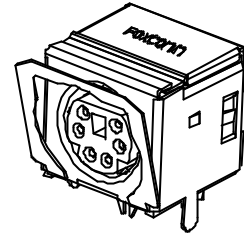
Voltage Rating: 30V
Current Rating: 1A
Contact Resistance: 30mW max.
Dielectric Withstanding Voltage: 750V AC/1min min.
Insulation Resistance: 1000MW min.

Physical

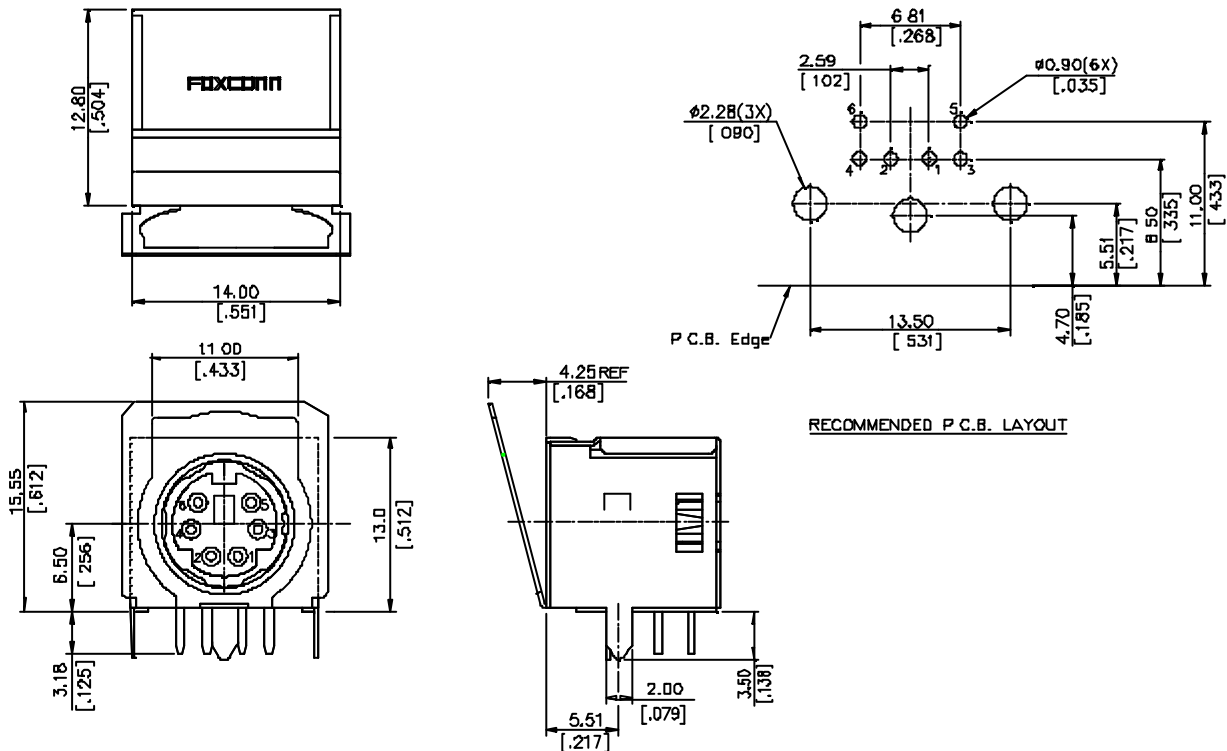
Housing & Spacer: Thermoplastic, UL 94V-0 rated
Contact & Shell: Copper alloy
Plating: See "ORDERING INFORMATION"
Operating Temperature: -55 to +85

Mini Din Connector

MH Series
Single, R/A, T/H
6 Pos.

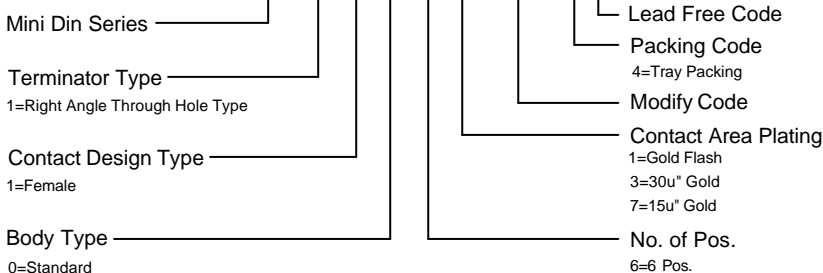


DRAWING



ORDERING INFORMATION

PRODUCT NO.: MH 1 1 0 6 * - *K* - 4 F



MH1106*-PK7-4F	PURPLE
MH1106*-PK6-4F	GREEN
MH1106*-K5-4F	BLACK
P/N	COLOR