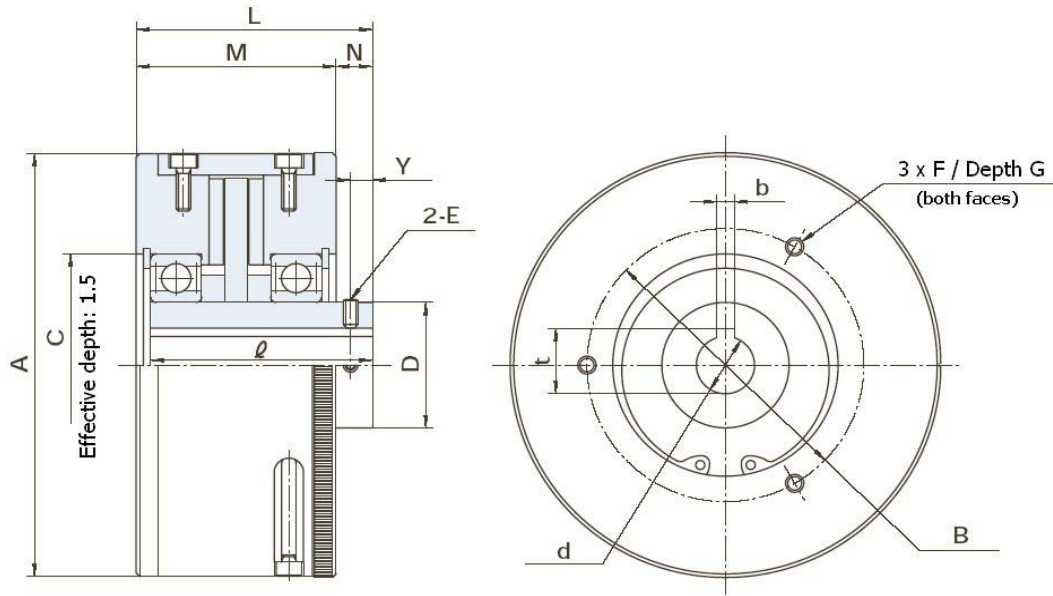


PHT-D

PM Hysteresis Torque Controller

Types: 1.2, 2.5, 5, 10, 30, 70

[PM: Permanent Magnet]



PHT		1.2D	2.5D	5D	10D	30D	70D
Torque Range [in-lbs]		0.18 ~ 1.8	0.44 ~ 3.5	0.44 ~ 6.6	1.8 ~ 13	2.7 ~ 27	6.2 ~ 62
Torque Range [N-m]		0.020 ~ 0.203	0.050 ~ 0.395	0.050 ~ 0.746	0.203 ~ 1.469	0.305 ~ 3.051	0.701 ~ 7.005
Max Slip Speed [rpm]		1800	1800	1800	1800	1000	700
Max Slip Wattage [W]		15	20	30	45	70	150
Moment of Inertia (J) [kg-cm ²]	Body	1.3	4.5	7.5	11.5	55	230
	Shaft	0.078	0.243	0.4	1.075	6.25	27.5
Bore [mm]	dH7	6	6	8	15	16	16
	Length	37.5	40	43	53.7	61	64
Key Way [mm]	bjs9	-	-	3	5	5	5
	t+0.1/-0	-	-	9.4	17.3	18.3	18.3
Dimensions [mm]	A	47	60	70	82	118	166
	B	32	40	46	60	76.2	105
	CH7	22	28	28	47	62	62
	D	18	12	15	25	35	35
	E	M3	M3	M3	M4	M4	M4
	F	M3	M3	M3	M4	M5	M5
	L	39.5	42	45	57.2	65	68
	M	32.5	35	37	50.1	55	59
	N	7	7	8	7.1	10	9
	T	6	6	6	10	12	12
Y	3	3	4	3.5	6	6	
Weight [lbs / kg]		0.66 / 0.30	1.3 / 0.6	1.9 / 0.9	3.5 / 1.6	7.9 / 3.6	17 / 8

[1" = 25.4mm]