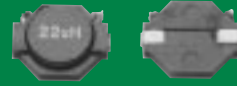


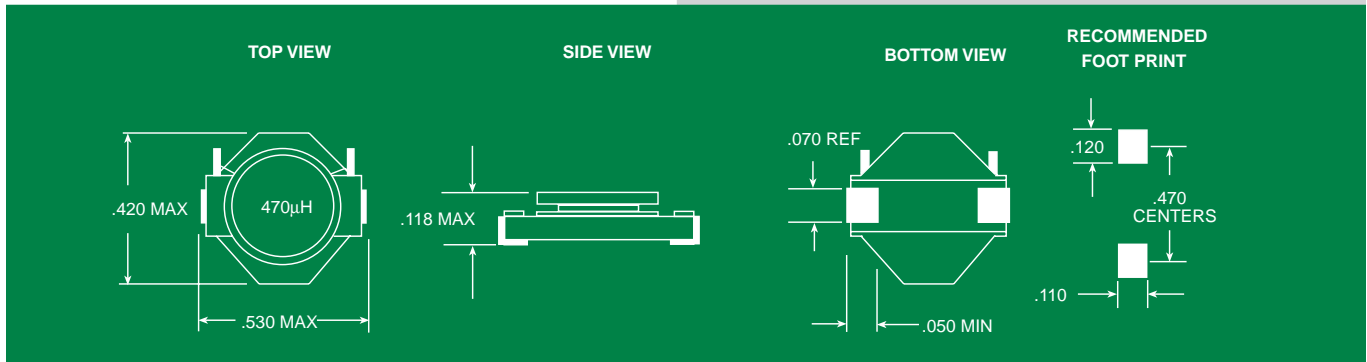


# SURFACE MOUNT POWER INDUCTORS

# SMP 3308 SERIES

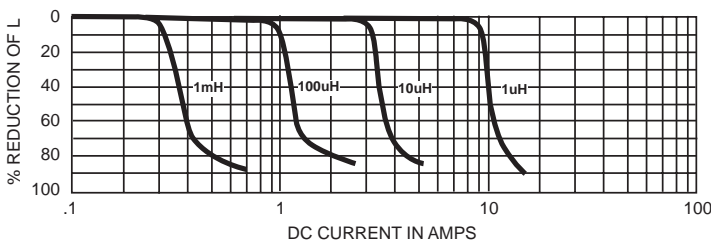


- Molded Epoxy base for superior heat strength
- Magnet wire to terminal connections are wire wrapped and soldered with high temperature solder
- Maximum operating temperature -55° to +125°C
- Custom values available
- Supplied on tape and reel
- Can be used for all types of power applications including filters for DC/DC converters and switching regulated power supplies



| PART NUMBER  | L μH ±20% @ 100 kHz | DCR MAX | SATURATION CURRENT* DC AMPS | CURRENT RATING** DC AMPS |
|--------------|---------------------|---------|-----------------------------|--------------------------|
| SMP3308-101M | 1.0                 | .023    | 9.0                         | 3.9                      |
| SMP3308-151M | 1.5                 | .032    | 7.4                         | 3.3                      |
| SMP3308-221M | 2.2                 | .041    | 6.0                         | 2.9                      |
| SMP3308-331M | 3.3                 | .047    | 5.0                         | 2.7                      |
| SMP3308-471M | 4.7                 | .056    | 4.3                         | 2.5                      |
| SMP3308-681M | 6.8                 | .072    | 3.8                         | 2.2                      |
| SMP3308-102M | 10                  | .092    | 3.0                         | 2.0                      |
| SMP3308-152M | 15                  | .114    | 2.5                         | 1.7                      |
| SMP3308-222M | 22                  | .148    | 2.0                         | 1.5                      |
| SMP3308-332M | 33                  | .206    | 1.7                         | 1.3                      |
| SMP3308-472M | 47                  | .320    | 1.4                         | 1.0                      |
| SMP3308-682M | 68                  | .460    | 1.2                         | .87                      |
| SMP3308-103M | 100                 | .641    | .94                         | .74                      |
| SMP3308-153M | 150                 | 1.05    | .77                         | .58                      |
| SMP3308-223M | 220                 | 1.62    | .64                         | .46                      |
| SMP3308-333M | 330                 | 2.28    | .53                         | .39                      |
| SMP3308-473M | 470                 | 2.76    | .43                         | .35                      |
| SMP3308-683M | 680                 | 4.36    | .36                         | .28                      |
| SMP3308-104M | 1000                | 6.62    | .30                         | .23                      |

## Saturation Curve



NOTES: \* Saturation current is the approximate value that will reduce the initial inductance by 10%.

\*\* Rated current is based on a 40° temperature rise at an ambient temperature of 85°C.



# ELECTRONICS