

LOW COST SOCKET STRIPS SSK SERIES

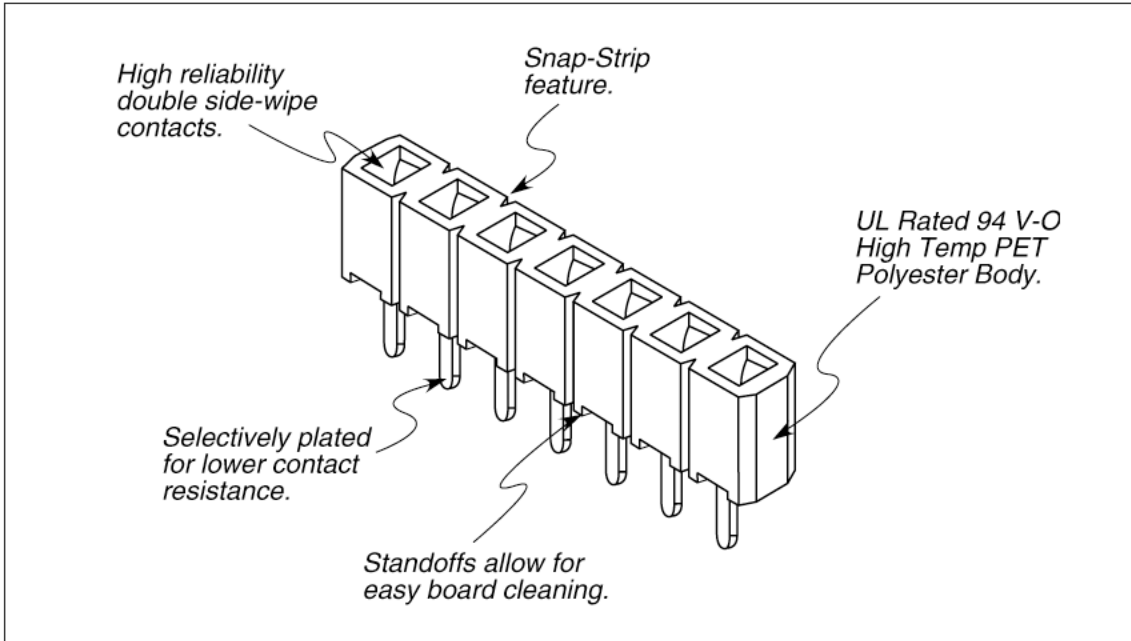
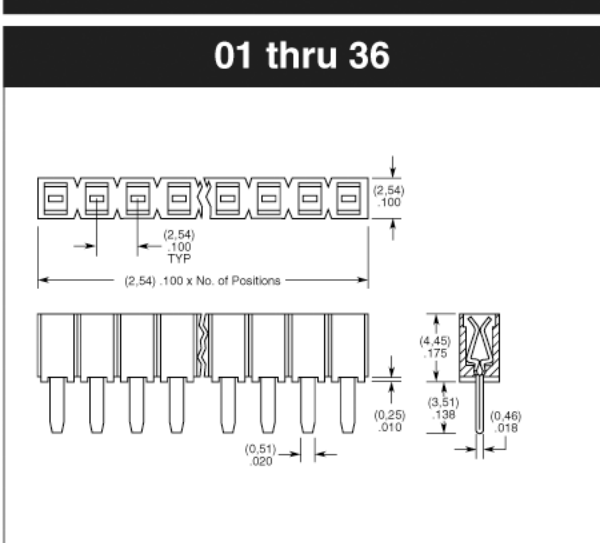
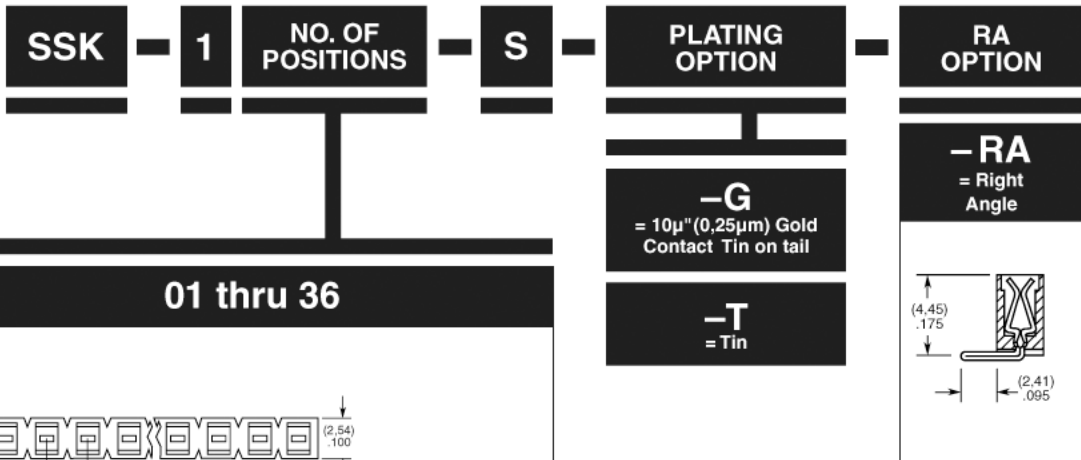
Mates with:
TS, HTS, BBS, BBL,
BHS, LBS

SPECIFICATIONS

For complete specifications see www.samtec.com?SSK

HI-TEMP

- Insulator Material:** Black PET Polyester
- Flammability Rating:** UL 94V-0
- Insulation Resistance:** 5000 MΩ min
- Operating Temp Range:** -55°C to +125°C with Gold
-55°C to +105°C with Tin
- Heat Deflection Temp:** 215°C @ 264 psi (1.8 MPa)
- Dielectric Withstanding Voltage:** 1000 VRMS
- Contact Material:** Phosphor Bronze
- Plating:** Au or Sn over 50" (1.27µm) Ni
- Current Rating:** 1A
- Contact Resistance:** 10 mΩ
- Lead Size Range:** .015" (0.38mm) to .022" (0.56mm) DIA and most IC leads
- Insertion Depth:** .060" (1.52mm) to .125" (3.18mm)
- Insertion Force:** 8 oz (2.22N) average
- Withdrawal Force:** 2 oz (0.56N) average
- RoHS Compliant:** Yes



Note: Some lengths, styles and options are non-standard, non-returnable.

Due to technical progress, all designs, specifications and components are subject to change without notice.

WWW.SAMTEC.COM