

» **Products Top**

**Contact Us**

For inquiries about Fujikura, please click the following

» **Telecommunications**

» **Electronics & Auto**

» **Components**

» **Sensor**

» **Wire Harness**

» **Wire harness**

» **Automotive Wire**

» **Relay Connector**

» **FWP Series Connector**

» **FWS Series Connector**

» **FWU Series Connector**

» **FZN Series Connector**

» **FZS Joint Connector**

» **250 Tough Lock**

» **Multi-Terminal Connector**

» **Relay Connector**

» **High Voltage Connector**

» **Injection molding component**

» **Electrical Compo**

» **Electronic Wires**

» **Thermal**

» **Connectors**

» **Metal Cable & Systems**

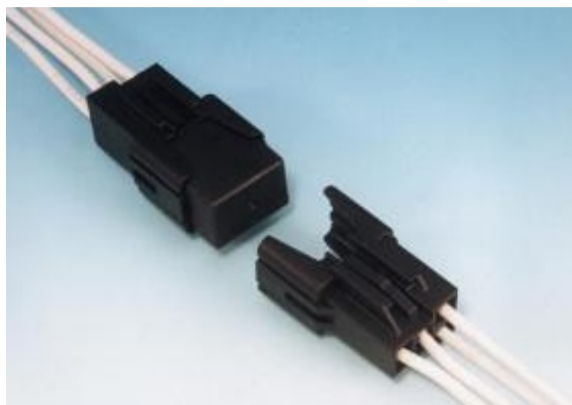
# Products

"Tsunagu" Technology

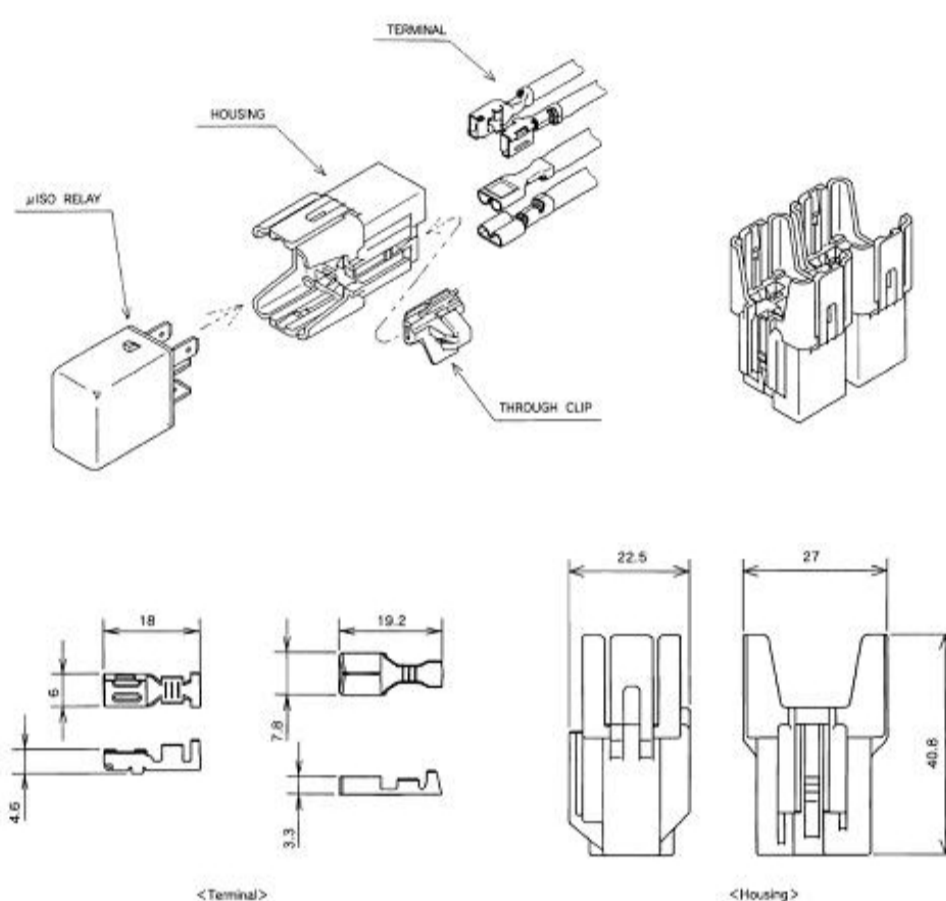
## Electronics & Auto

| [Specifications](#)

### ?ISO Relay Connector



### Specifications



#### ?Housing

Type	Part No.	Material
Housing	HF635041B	PA+PPE

#### ?Terminal

Terminal Type	Cable Size(mm <sup>2</sup> )	Part No	Material	Surface Treatment
Tab size 187	0.3-0.5	TM428100P	Brass	Tin-plated
	0.85-1.25	TM428110P		
	2-3	TM428120P		
Tab size 250	0.3-0.5	TF631102P	Copper alloy	
	0.85-1.25	TF631112P		
	2-3	TF631122P		

#### ?Attached Clip

Part No	Material	Mating Hole	Panel Thickness	
CL000450B	PP	7.2×10.2mm	0.6-2mm	
CL000490N		∅7.0mm		

#### ?Specifications

Contact resistance	3mΩ max.(initial)
Insulation resistance	100mΩ min(DC 500V)
Rated current	25A#(for AVS 3sq)

#### #Reference data