

4184 NX

DC axial compact fan



ebm-papst St. Georgen GmbH & Co. KG

Hermann-Papst-Straße 1

D-78112 St. Georgen

Phone +49 7724 81-0

Fax +49 7724 81-1309

info2@de.ebmpapst.com

www.ebmpapst.com

Nominal data

Type	4184 NX	
Nominal voltage	VDC	24
Nominal voltage range	VDC	12 .. 29
Speed	min ⁻¹	3200
Power input	W	4.5
Min. ambient temperature	°C	-30
Max. ambient temperature	°C	75
Air flow	m ³ /h	180
Sound power level	B	5.7
Sound pressure level	dB(A)	49

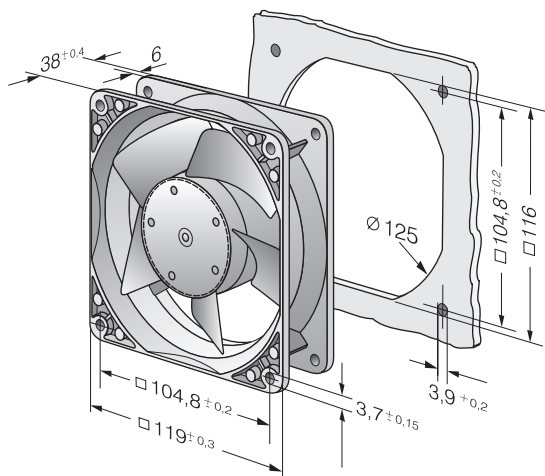
ml = max. load · me = max. efficiency · rfa = running at free air · cs = customer specs · cu = customer unit
Subject to alterations



Technical features

Dimensions	119 x 119 x 38 mm
General description	<p>Particular design features:</p> <p>Very rigid compression curve for high air flow at high counterpressure.</p> <p>Low operating noise level at high counterpressure.</p> <p>Optional Vario-Pro: Highly flexible software configuration for the fan ensures an easily customisable solution to meet the individual requirements of your application.</p> <p>General features:</p> <p>Housing made of aluminium, impeller made of fibreglass-reinforced PA; housing with grounding lug for M4 x 8 screw (Torx).</p> <p>Electronic commutation completely integrated.</p> <p>Protected against reverse polarity and locking.</p> <p>Electrical connection to flat plugs, 2.8 x 0.5 mm. Optionally with strands.</p> <p>Inlet over bars. Rotational direction clockwise looking at rotor.</p> <p>Mass: 390 g.</p>
Connection line	Flat plugs 2.8 x 0.5 mm. Optionally also available with strands.
Direction of rotation	Clockwise, looking at rotor
Direction of air flow	Inlet over bars
Bearing	Ball bearings
Lifetime L10 at 40 °C	85000 h
Lifetime L10 at maximum temperature	37500 h
Mass	0.390 kg
Housing material	Aluminum with grounding lug for screw M4 x 8 (TORX).
Material of impeller	Fiberglass-reinforced PA plastic
Motor protection	Protected against reverse polarity and locking.
Approval	VDE, CSA, UL

Product drawing



Charts: Air flow

