

FIELD INDICATOR

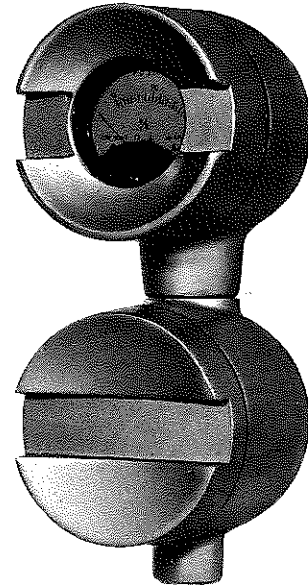
DATA SHEET

FXG

This field installation type ammeter receives and indicates a signal of DC 4 to 20mA and is employed when an ammeter is to be installed separately from the transmitter.

SPECIFICATIONS

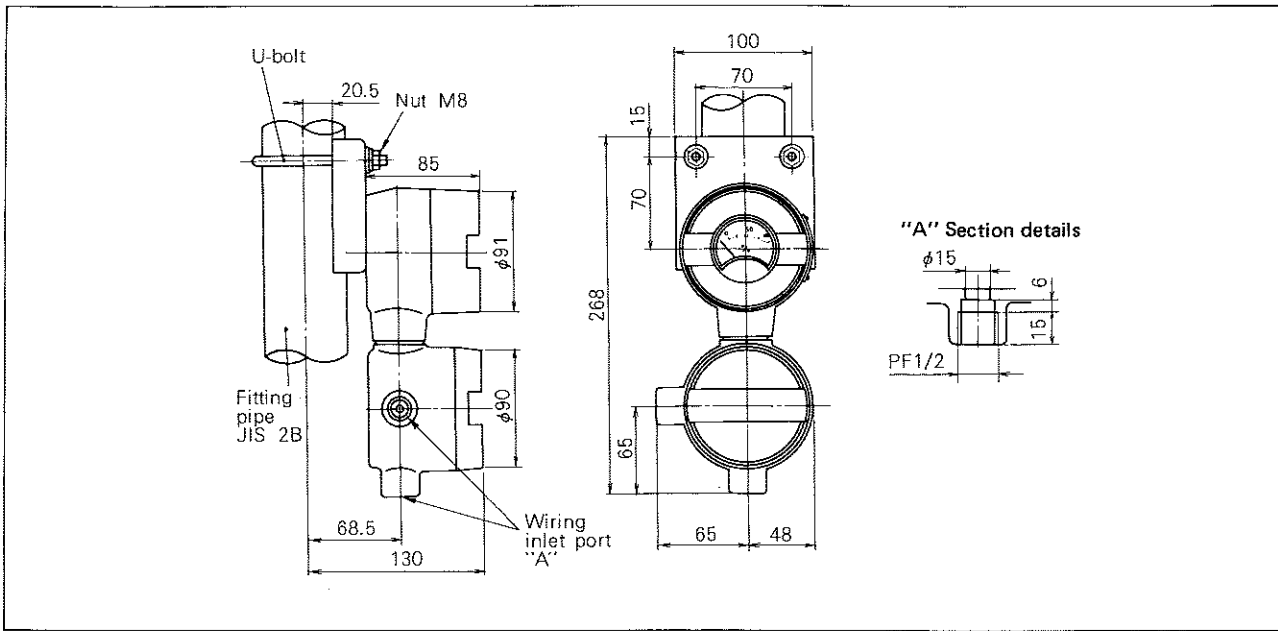
- Measured input: DC 4 to 20mA
- Input resistance: Less than 10Ω
- Scale: 0 to 100% linear scale or 0 to 100% square scale (for differential flow rate transmitter)
- Length of scale: Approx. 50 mm
- Allowance: ±2.0%
- Case material: Aluminum alloy
- Ambient temperature: -30° to 80°C
- Ambient humidity: Less than 90% RH
- Conduit connection: PF½ internal thread
- Waterproof structure: JIS F 8001 water spray class 3
- Explosionproof structure: Intrinsic safety i3nG5
- Finish color: Silver (epoxy resin coating)
(If specified, acid and alkaliproof treatment is available)
- Mass (weight): Approx. 2.5 kg
- External dimensions (HxWxD): 268 x 115 x 85 mm



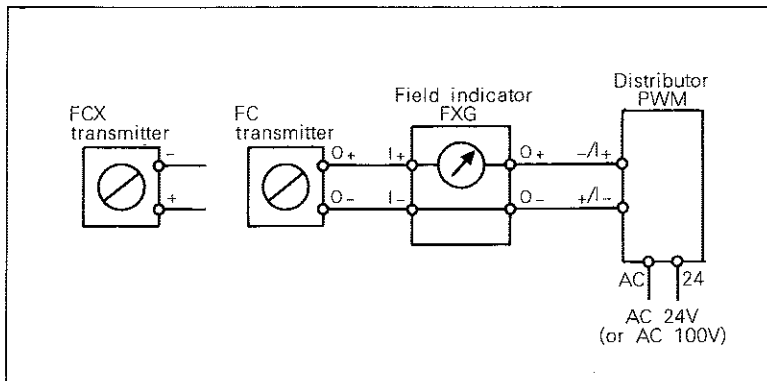
CODE SYMBOLS

1 2 3 4 5 6 7 8 9 10										Description			
F	X	G	0	0	0	2	-	0				Measured input signal	
			D									4 to 20mA (0 to 100%, linear scale)	
			E									4 to 20mA Intrinsic safety (0 to 100%, linear scale)	
			G									4 to 20mA (0 to 100%, square scale)	
			H									4 to 20mA Intrinsic safety (0 to 100%, square scale)	
												Treatment	
										Y		None	
										B		Acid and alkaliproof treatment	

OUTLINE DIAGRAM (Unit:mm)



CONNECTION DIAGRAM



RELATED DEVICE

Distributor (PWM)

ORDERING INFORMATION

1. Product name
2. Code symbols
3. Other requirements (special scale etc.)

Fuji Electric Co.,Ltd.

12-1 Yurakucho 1-chome, Chiyoda-ku, Tokyo, 100 Japan
 Phone: Tokyo 3211-7111
 Telex: J22331 FUJIELEA or FUJIELEB