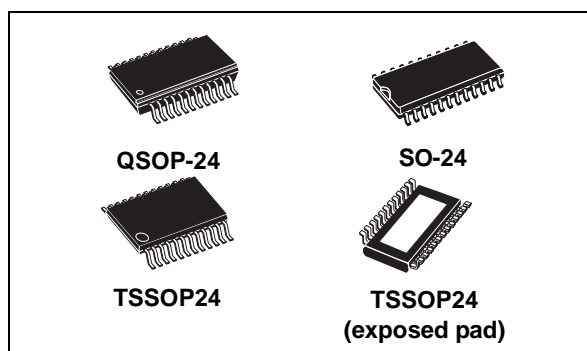


Low voltage 16-bit constant current LED sink driver with output error detection and auto power-saving

Datasheet - production data



LED panel displays. The device features a 16-bit serial-in, parallel-out shift register that feeds a 16-bit D-type storage register. In the output stage, sixteen regulated current sources are designed to provide 3 to 40 mA of constant current to drive the LEDs. The STP16DPPS05 features open and short LED detection on the outputs. The detection circuit checks for 3 different conditions that can occur on the output line: short to GND, short to V_O or open line. The data detection results are loaded in the shift registers and shifted out via the serial line output. The detection functionality is implemented without increasing the pin count, through a secondary function of the output enable and latch pin (DM1 and DM2 respectively). A dedicated logic sequence allows the device to enter or exit from detection mode. The STP16DPPS05 output current can be adjusted through an external resistor to control the light intensity of the LEDs. LED brightness is adjustable from 0% to 100% via the $\overline{OE}/DM2$ pin.

The auto power-shutdown and auto power-ON feature allows the device to save power with no external intervention. The STP16DPPS05 guarantees a 20 V output driving capability, allowing users to connect more LEDs in series. The high 30 MHz clock frequency makes the device suitable for high data rate transmission. The 3.3 V supply is well suited for applications which interface a 3.3 V MCU. Compared to a standard TSSOP package, the TSSOP with exposed pad increases heat dissipation capability by a factor of 2.5

Features

- Low voltage power supply down to 3 V
- 16 constant current output channels
- Adjustable output current through external resistor
- Short and open output error detection
- Serial data IN/parallel data OUT
- Auto power-saving
- 3.3 V MCU-driving capability
- Output current: 3 to 40 mA
- 30 MHz clock frequency
- Available in high thermal efficiency TSSOP exposed pad
- ESD protection: 2 kV HBM, 200 V MM

Description

The STP16DPPS05 is a monolithic, low voltage, low current power 16-bit shift register designed for

Table 1. Device summary

Order codes	Package	Packaging
STP16DPPS05MTR	SO-24 (tape and reel)	1000 parts per reel
STP16DPPS05TTR	TSSOP24 (tape and reel)	2500 parts per reel
STP16DPPS05XTTR	TSSOP24 exposed pad (tape and reel)	2500 parts per reel
STP16DPPS05PTR	QSOP-24	2500 parts per reel

Contents

- 1 Summary description 3**
 - 1.1 Pin connection and description 3

- 2 Electrical ratings 5**
 - 2.1 Absolute maximum ratings 5
 - 2.2 Thermal data 5
 - 2.3 Recommended operating conditions 6

- 3 Electrical characteristics 7**

- 4 Equivalent circuit and outputs 9**

- 5 Timing diagrams 11**

- 6 Typical characteristics 14**

- 7 Error detection mode functionality 18**
 - 7.1 Phase one: entering error detection mode 18
 - 7.2 Phase two: error detection 19
 - 7.3 Phase three: resuming normal mode 21
 - 7.4 Error detection conditions 21
 - 7.5 Auto power-saving 23

- 8 Package mechanical data 25**

- 9 Packaging mechanical data 32**

- 10 Revision history 34**



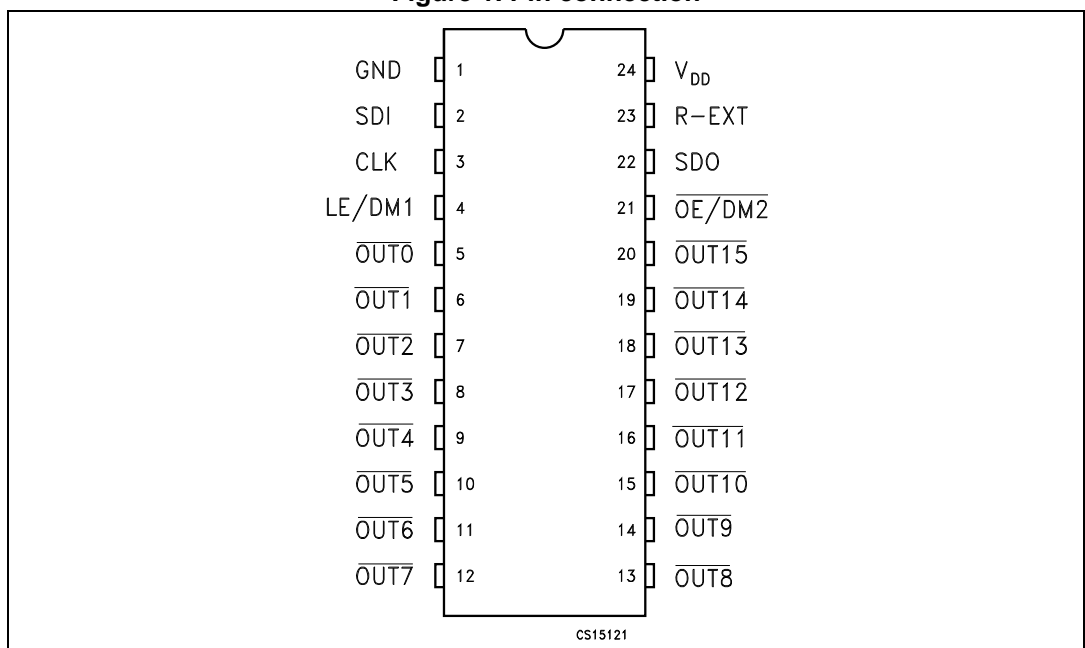
1 Summary description

Table 2. Typical current accuracy

Output voltage	Current accuracy		Output current	V _{DD}	Temperature
	Between bits	Between ICs			
≥ 1.3 V	± 1%	± 2%	5 to 40 mA	3.3 V to 5 V	25 °C

1.1 Pin connection and description

Figure 1. Pin connection



Note: The exposed pad should be electrically connected to a metal land electrically isolated or connected to ground.

Table 3. Pin description

Pin n°	Symbol	Name and function
1	GND	Ground terminal
2	SDI	Serial data input terminal
3	CLK	Clock input terminal
4	LE/DM1	Latch input terminal - detect mode 1 (see operation principle)
5-20	OUT 0-15	Output terminal
21	OE/DM2	Input terminal of output enable (active low) - detect mode 1 (see operation principle)
22	SDO	Serial data out terminal
23	R-EXT	Input terminal for an external resistor for constant current programming
24	V _{DD}	Supply voltage terminal

2 Electrical ratings

2.1 Absolute maximum ratings

Stressing the device above the ratings listed in the “absolute maximum ratings” table may cause permanent damage to the device. These are stress ratings only and operation of the device at these or any other condition above those indicated in the operating sections of this specification is not implied. Exposure to absolute maximum rating conditions for extended periods may affect device reliability.

Table 4. Absolute maximum ratings

Symbol	Parameter	Value	Unit
V_{DD}	Supply voltage	0 to 7	V
V_O	Output voltage	-0.5 to 20	V
I_O	Output current	50	mA
V_I	Input voltage	-0.4 to V_{DD}	V
I_{GND}	GND terminal current	800	mA
f_{CLK}	Clock frequency	50	MHz
T_J	Junction temperature range ⁽¹⁾	-40 to +170	°C

1. Such absolute value is based on the thermal shutdown protection.

2.2 Thermal data

Table 5. Thermal data

Symbol	Parameter	Value	Unit	
T_A	Operating free-air temperature range	-40 to +125	°C	
T_{J-OPR}	Operating thermal junction temperature range	-40 to +150	°C	
T_{STG}	Storage temperature range	-55 to +150	°C	
R_{thJA}	Thermal resistance junction-ambient ⁽¹⁾	SO-24	42.7	°C/W
		TSSOP24	55	°C/W
		TSSOP24 ⁽²⁾ Exposed Pad	37.5	°C/W
		QSOP-24	55	°C/W

1. According with JEDEC standard 51-7B

2. The exposed pad should be soldered directly to the PCB to obtain the thermal benefits.

2.3 Recommended operating conditions

Table 6. Recommended operating conditions

Symbol	Parameter	Test conditions	Min.	Typ.	Max.	Unit
V_{DD}	Supply voltage		3.0	-	5.5	V
V_O	Output voltage			-	20	V
I_O	Output current	OUTn	3	-	40	mA
I_{OH}	Output current	SERIAL-OUT		-	+1	mA
I_{OL}	Output current	SERIAL-OUT		-	-1	mA
V_{IH}	Input voltage		$0.7 V_{DD}$	-	V_{DD}	V
V_{IL}	Input voltage		-0.3	-	$0.3 V_{DD}$	V
t_{wLAT}	LE/DM1 pulse width	$V_{DD} = 3.0 \text{ V to } 5.0 \text{ V}$	20	-		ns
t_{wCLK}	CLK pulse width		10	-		ns
t_{wEN}	$\overline{OE/DM2}$ pulse width		100	-		ns
$t_{SETUP(D)}$	Setup time for DATA		8	-		ns
$t_{HOLD(D)}$	Hold time for DATA		5	-		ns
$t_{SETUP(L)}$	Setup time for LATCH		8	-		ns
f_{CLK}	Clock frequency		Cascade operation ⁽¹⁾		-	30

1. If the device is connected in cascade, it may not be possible to achieve the maximum data transfer. Please consider the timings carefully.

3 Electrical characteristics

$V_{DD} = 3.3 \text{ V to } 5 \text{ V}$, $T_A = 25 \text{ }^\circ\text{C}$, unless otherwise specified.

Table 7. Electrical characteristics

Symbol	Parameter	Test conditions	Min.	Typ.	Max.	Unit
V_{IH}	Input voltage high level		$0.7 V_{DD}$		V_{DD}	V
V_{IL}	Input voltage low level		GND		$0.3 V_{DD}$	V
I_{OH}	Output leakage current	$V_{OH} = 20 \text{ V}$			1	μA
V_{OL}	Output voltage (serial-OUT)	$I_{OL} = 1 \text{ mA}$			0.4	V
V_{OH}	Output voltage (serial-OUT)	$I_{OH} = -1 \text{ mA}$	$V_{DD}-0.4\text{V}$			V
I_{OL1}	Output current	$V_O = 0.3 \text{ V}$, $R_{ext} = 4 \text{ k}\Omega$	4.75	5	5.25	mA
I_{OL2}		$V_O = 0.3 \text{ V}$, $R_{ext} = 1 \text{ k}\Omega$	19	20	21	
I_{OL3}		$V_O = 1.3 \text{ V}$, $R_{ext} = 497 \Omega$	38	40	42	
ΔI_{OL1}	Output current error between bit (All output ON)	$V_O = 0.3 \text{ V}$, $I_O = 5 \text{ mA}$ $R_{EXT} = 4 \text{ k}\Omega$		± 1	± 5	%
ΔI_{OL2}		$V_O = 0.3 \text{ V}$, $I_O = 20 \text{ mA}$ $R_{EXT} = 980 \Omega$		± 0.5	± 3	
ΔI_{OL3}		$V_O = 1.3 \text{ V}$, $I_O = 40 \text{ mA}$ $R_{EXT} = 490 \Omega$		± 0.5	± 3	
$R_{SIN(up)}$	Pull-up resistor		150	300	600	$\text{k}\Omega$
$R_{SIN(down)}$	Pull-down resistor		100	200	400	$\text{k}\Omega$
$I_{DD(OFF1)}$	Supply current (OFF)	$R_{EXT} = 1 \text{ k}\Omega$, $I_{OUT} = 20 \text{ mA}$, OUT 0 to 15 = OFF		5.4	7.5	mA
$I_{DD(OFF2)}$		$R_{EXT} = 497 \Omega$, $I_{OUT} = 40 \text{ mA}$ OUT 0 to 15 = OFF		8.0	9.5	
$I_{DD(ON1)}$	Supply current (ON)	$R_{EXT} = 1 \text{ k}\Omega$, $I_{OUT} = 20 \text{ mA}$, OUT 0 to 15 = ON		5.5	7.5	
$I_{DD(ON2)}$		$R_{EXT} = 497 \Omega$, $I_{OUT} = 40 \text{ mA}$ OUT 0 to 15 = ON		8.1	9.5	
Thermal	Thermal protection			170		$^\circ\text{C}$

$V_{DD} = 3.3\text{ V to }5\text{ V}$, $T_A = 25\text{ }^\circ\text{C}$, unless otherwise specified.

Table 8. Switching characteristics

Symbol	Parameter	Test conditions	Min	Typ	Max	Unit	
t_{PLH1}	Propagation delay time, $\overline{\text{CLK-OUTn}}$, $\text{LE/DM1} = \text{H}$, $\text{OE/DM2} = \text{L}$	$V_{IH} = V_{DD}$ $V_{IL} = \text{GND}$ $I_O = 20\text{ mA}$ $R_{EXT} = 1\text{ K}\Omega$ $C_L = 10\text{ pF}$ $V_L = 3.0\text{ V}$ $R_L = 60\text{ }\Omega$	$V_{DD} = 3.3\text{ V}$		53.5	86.5	ns
			$V_{DD} = 5\text{ V}$		32	46.5	
t_{PLH2}	Propagation delay time, $\overline{\text{LE/DM1-OUTn}}$, $\text{OE/DM2} = \text{L}$		$V_{DD} = 3.3\text{ V}$		48	75.5	ns
			$V_{DD} = 5\text{ V}$		30	43	
t_{PLH3}	Propagation delay time, $\overline{\text{OE/DM2-OUTn}}$, $\text{LE} = \text{H}$		$V_{DD} = 3.3\text{ V}$		71.5	118	ns
			$V_{DD} = 5\text{ V}$		43	62	
t_{PLH}	Propagation delay time, $\overline{\text{CLK-SDO}}$		$V_{DD} = 3.3\text{ V}$	15	21	31	ns
			$V_{DD} = 5\text{ V}$	11	15	21	
t_{PHL1}	Propagation delay time, $\overline{\text{CLK-OUTn}}$, $\text{LE/DM1} = \text{H}$, $\text{OE/DM2} = \text{L}$		$V_{DD} = 3.3\text{ V}$		27.5	39	ns
			$V_{DD} = 5\text{ V}$		22	30.5	
t_{PHL2}	Propagation delay time, $\overline{\text{LE/DM1-OUTn}}$, $\text{OE/DM2} = \text{L}$		$V_{DD} = 3.3\text{ V}$		11.5	17.5	ns
			$V_{DD} = 5\text{ V}$		8	11.5	
t_{PHL3}	Propagation delay time, $\overline{\text{OE/DM2-OUTn}}$, $\text{LE/DM1} = \text{H}$		$V_{DD} = 3.3\text{ V}$		24	33.5	ns
			$V_{DD} = 5\text{ V}$		21	28.5	
t_{PHL}	Propagation delay time, $\overline{\text{CLK-SDO}}$	$V_{DD} = 3.3\text{ V}$	17.5	24	36	ns	
		$V_{DD} = 5\text{ V}$	12.5	17	25		
t_{ON}	Output rise time 10~90% of voltage waveform	$V_{DD} = 3.3\text{ V}$		29	54	ns	
		$V_{DD} = 5\text{ V}$		10	17		
t_{OFF}	Output fall time 90~10% of voltage waveform	$V_{DD} = 3.3\text{ V}$		4.5	6	ns	
		$V_{DD} = 5\text{ V}$		3.5	5		
t_r	CLK rise time ⁽¹⁾				5000	ns	
t_f	CLK fall time ⁽¹⁾				5000	ns	

1. In order to achieve high cascade data transfer, please consider t_r/t_f timings carefully.

4 Equivalent circuit and outputs

Figure 2. $\overline{\text{OE}}/\text{DM2}$ terminal

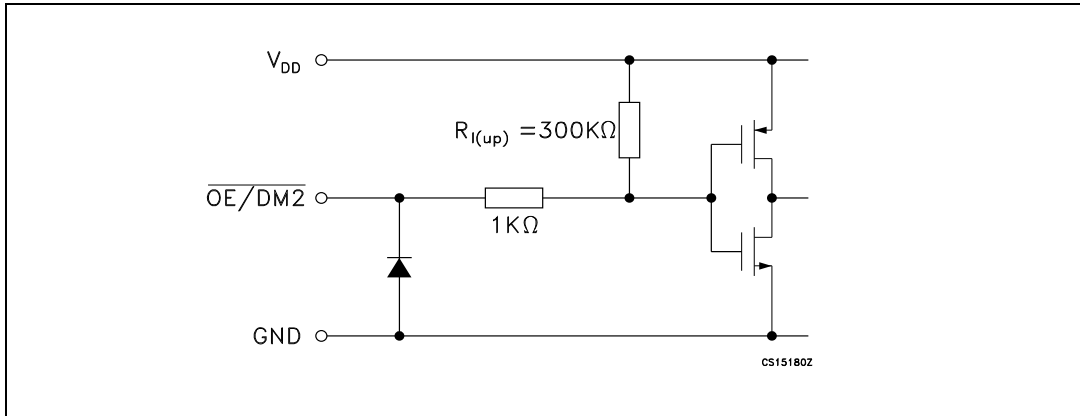


Figure 3. LE/DM1 terminal

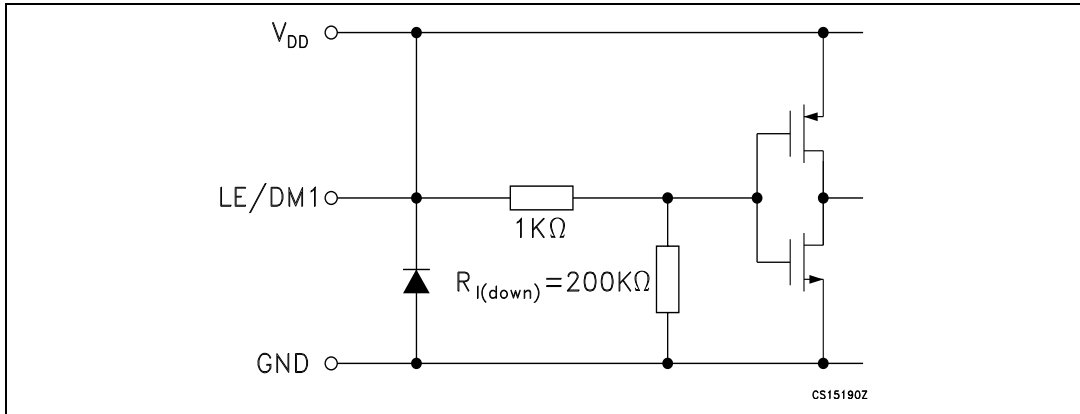


Figure 4. CLK, SDI terminal

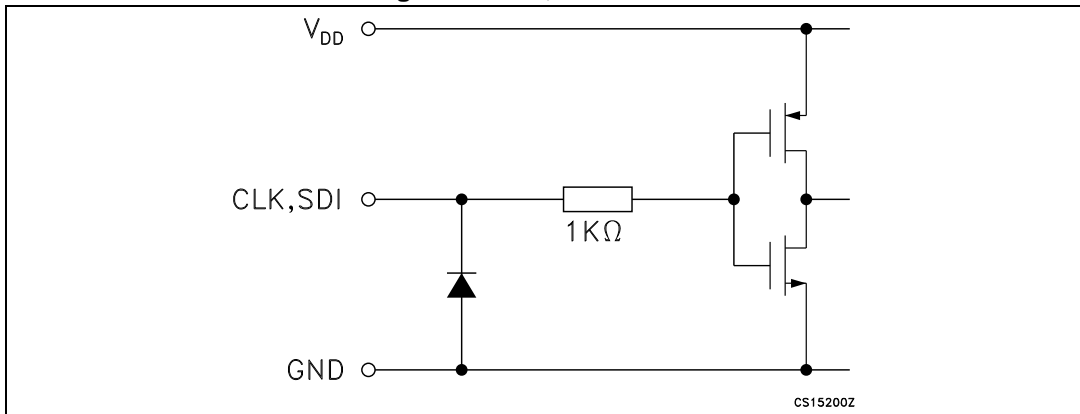


Figure 5. SDO terminal

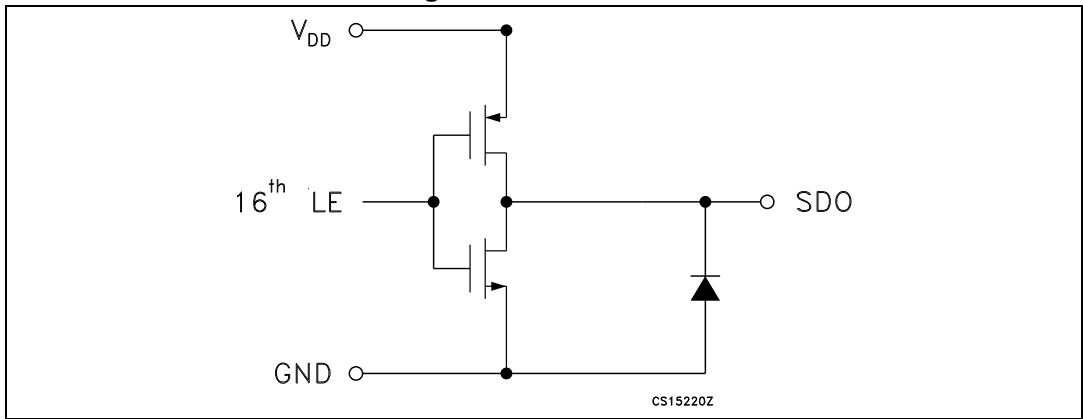
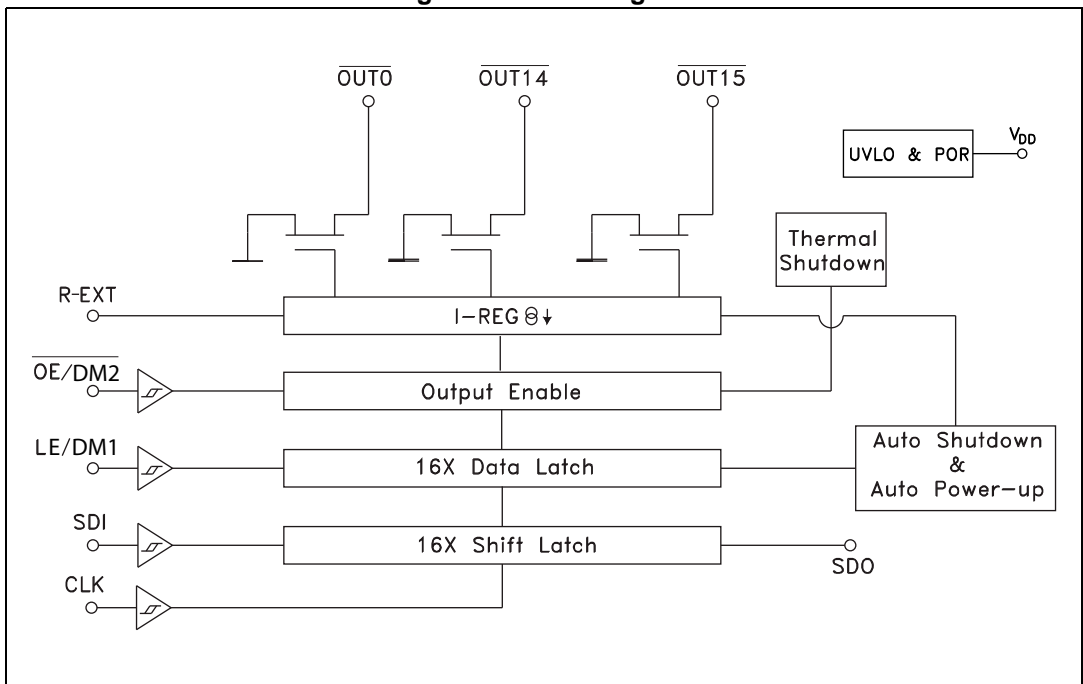


Figure 6. Block diagram



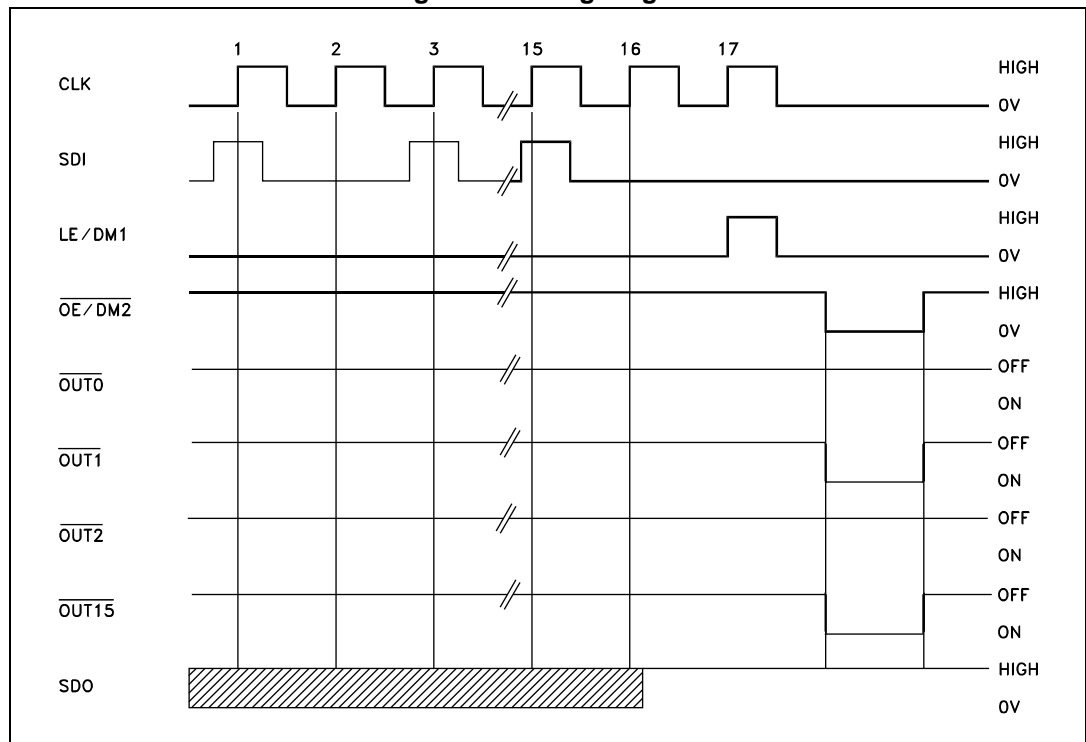
5 Timing diagrams

Table 9. Truth table

CLOCK	LE/DM1	$\overline{OE/DM2}$	SERIAL-IN	$\overline{OUT0}$ $\overline{OUT7}$ $\overline{OUT15}$	SDO
	H	L	Dn	Dn Dn - 7 Dn -15	Dn - 15
	L	L	Dn + 1	No change	Dn - 14
	H	L	Dn + 2	Dn + 2 Dn - 5 Dn -13	Dn - 13
	X	L	Dn + 3	Dn + 2 Dn - 5 Dn -13	Dn - 13
	X	H	Dn + 3	OFF	Dn - 13

Note: $OUTn = ON$ when $Dn = H$ $OUTn = OFF$ when $Dn = L$

Figure 7. Timing diagram



- Note:
- 1 Latch and output enable terminals are level-sensitive and are not synchronized with rising or falling edge of LE/DM1 signal.
 - 2 When LE/DM1 terminal is low level, the latch circuit holds previous set of data.
 - 3 When LE/DM1 terminal is high level, the latch circuit refreshes new set of data from SDI chain.
 - 4 When $\overline{OE/DM2}$ terminal is at low level, the output terminals Out 0 to Out 15 respond to data in the latch circuits, either '1' for ON or '0' for OFF.
 - 5 When $\overline{OE/DM2}$ terminal is at high level, all output terminals are switched OFF.

Table 10. Enable IO: shutdown truth table

CLOCK	LE/DM1	SDI ₀ SDI ₇ SDI ₁₅	SH	Auto Power-up	OUTn
┌	H	All = L	Active	Not active ⁽¹⁾	OFF
┌	L	No change	No change	No change	No change
┌	H	One or more = H	Not active	Active	X ⁽²⁾

1. At power-up, the device starts in shutdown mode.
2. Undefined.

Figure 8. Clock, serial-in, serial-out

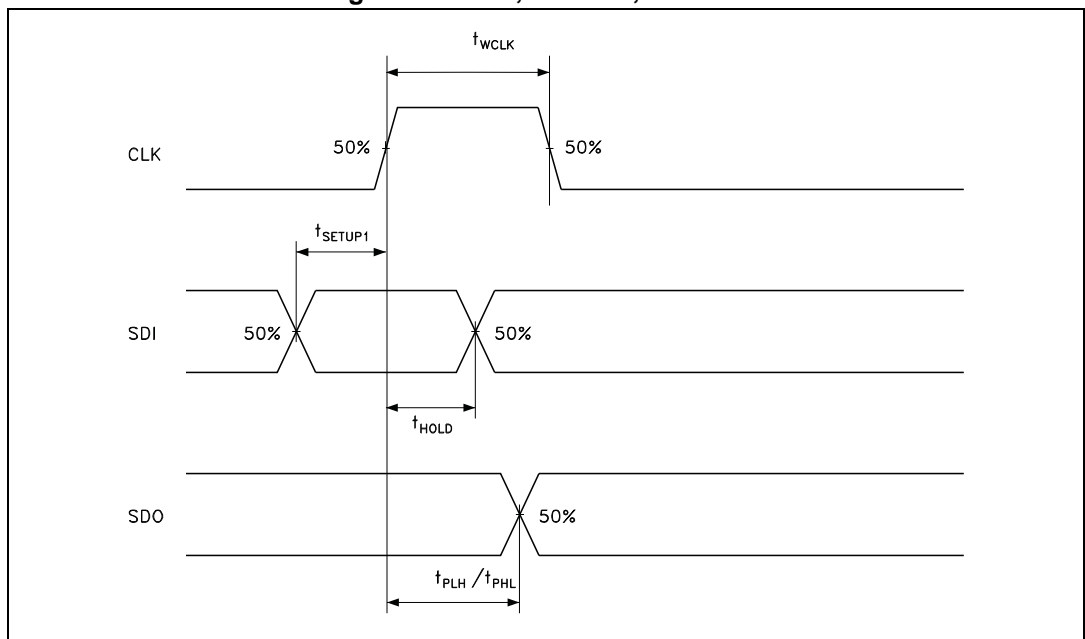


Figure 9. Clock, serial-in, latch, enable, outputs

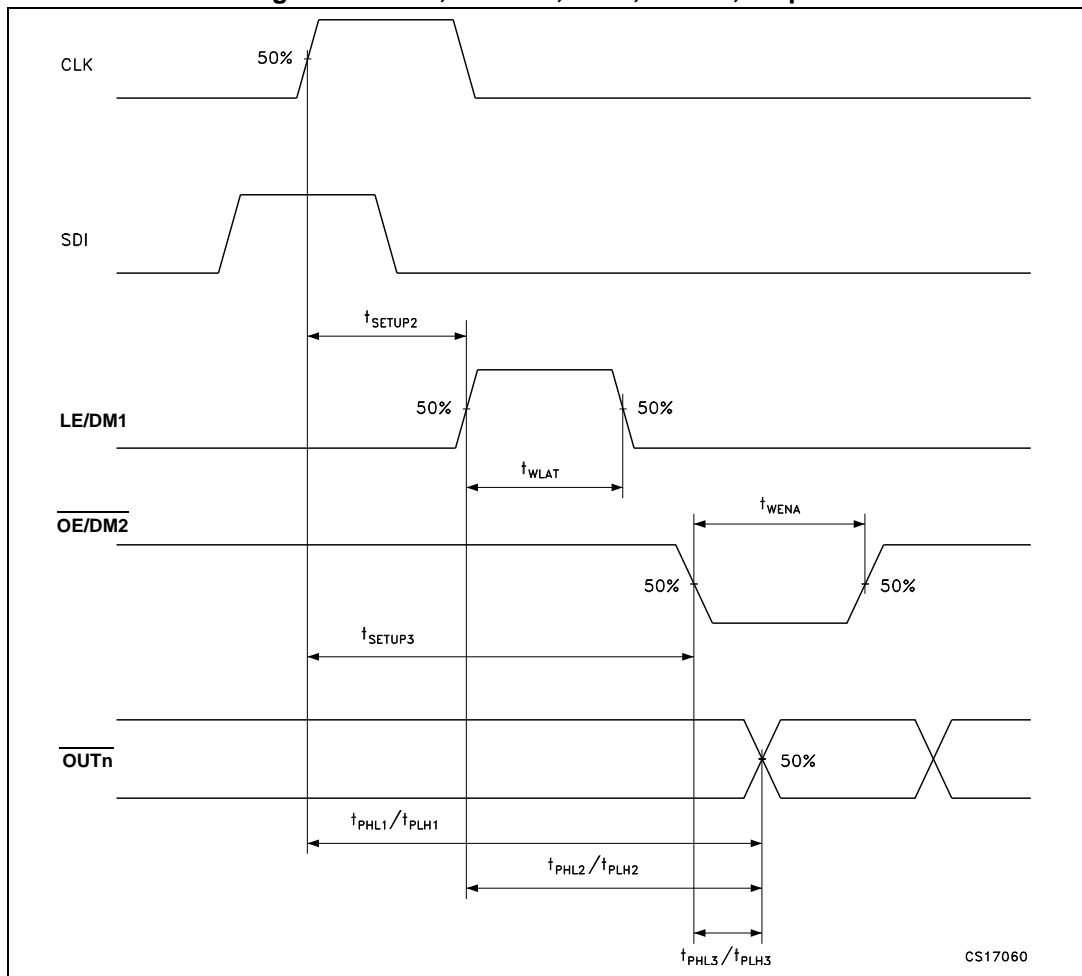
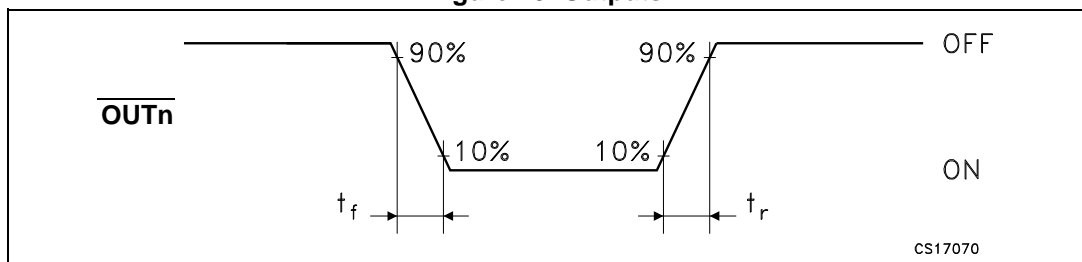


Figure 10. Outputs



6 Typical characteristics

Figure 11. Output current vs. R-EXT resistor

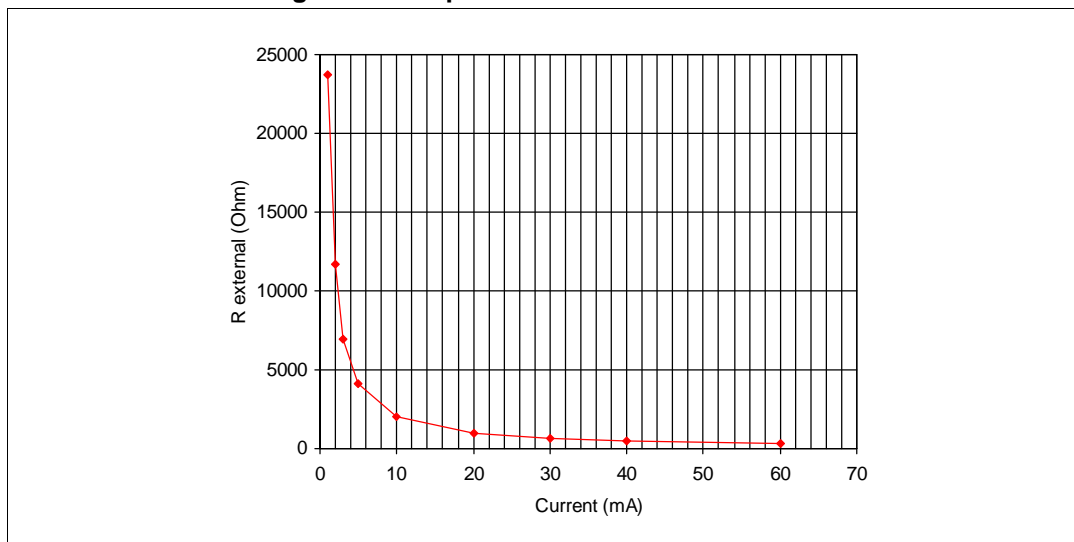


Table 11. Output current vs. R-EXT resistor

R-EXT (Ω)	Output current (mA)
23700	1
11730	2
6930	3
4090	5
2025	10
1000	20
667	30
497	40
331	60

Conditions:

Temperature = 25 °C, $V_{DD} = 3.3\text{ V}; 5.0\text{ V}$, $I_{SET} = 3\text{ mA}; 5\text{ mA}; 10\text{ mA}; 20\text{ mA}; 50\text{ mA}; 60\text{ mA}$.

Figure 12. I_{SET} vs. dropout voltage (V_{drop})

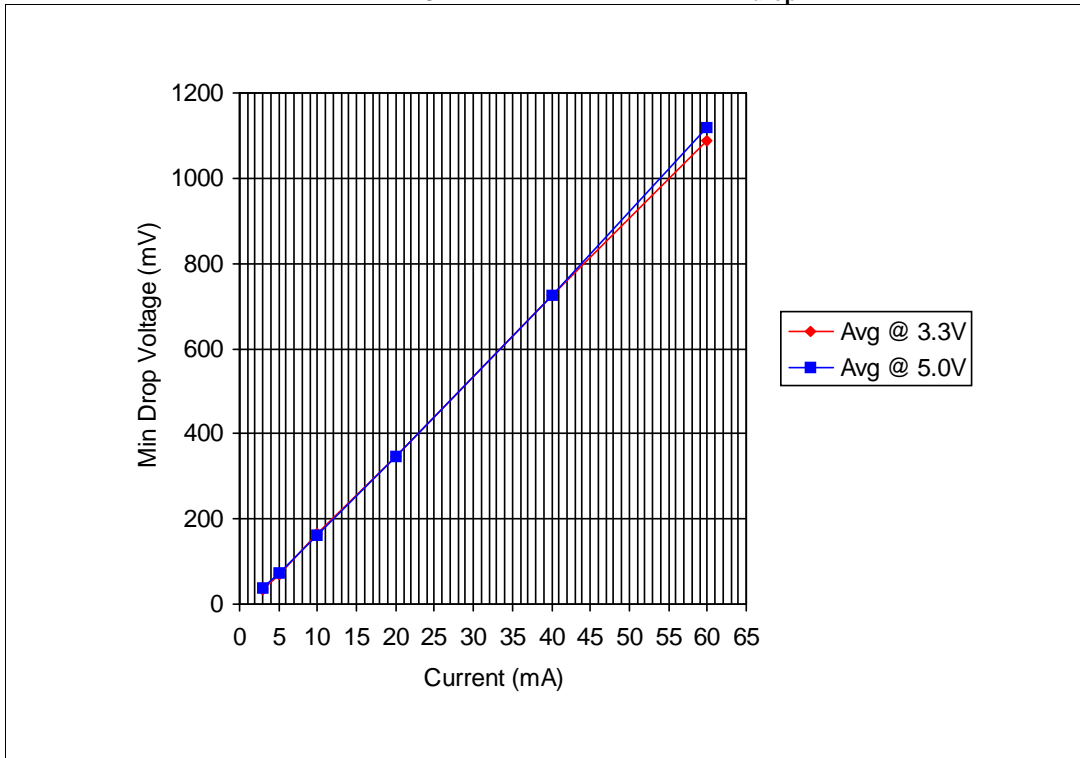


Table 12. I_{SET} vs. dropout voltage (V_{drop})

I_{out} (mA)	Avg (mV) @ 3.3 V	Avg (mV) @ 5.0 V
3	36	37
5	71	72
10	163	163
20	346	347
40	724	726
60	1080	1110

$T_A = 25\text{ }^\circ\text{C}$, $V_{dd} = 3.3\text{ V}; 5\text{ V}$

Figure 13. Output current vs. $\pm \Delta I_{OL}(\%)$

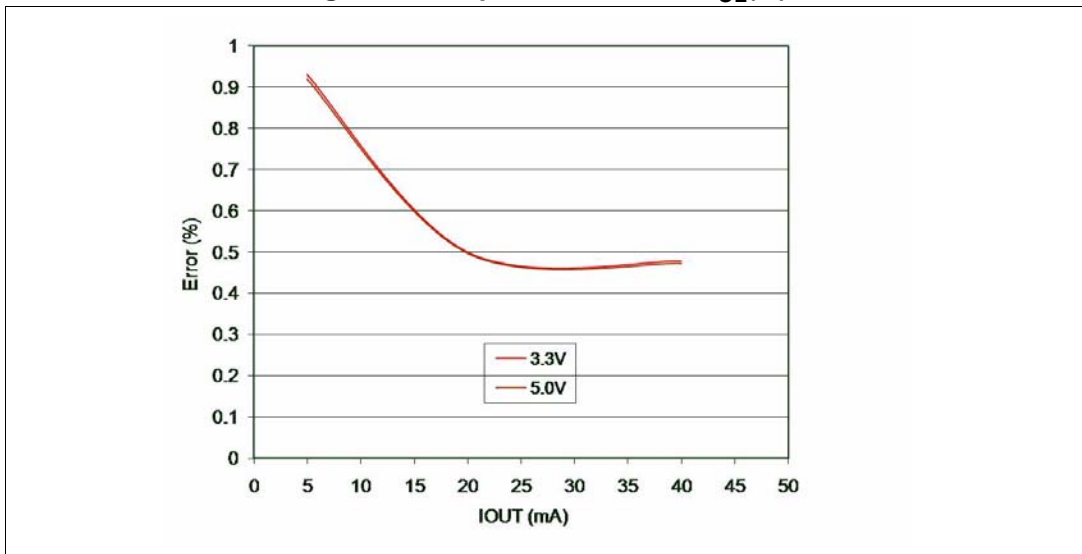


Figure 14. I_{dd} ON/OFF

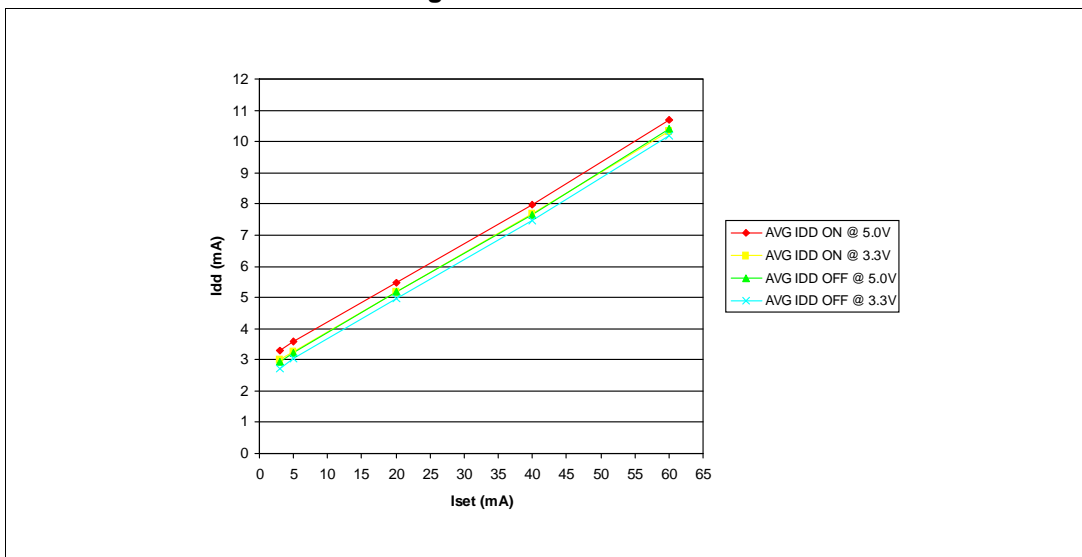
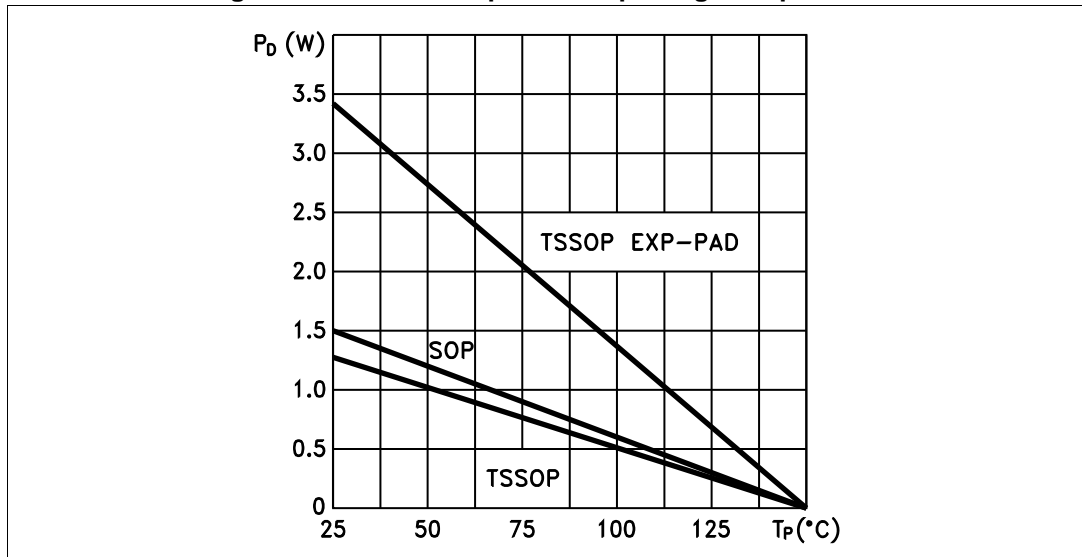


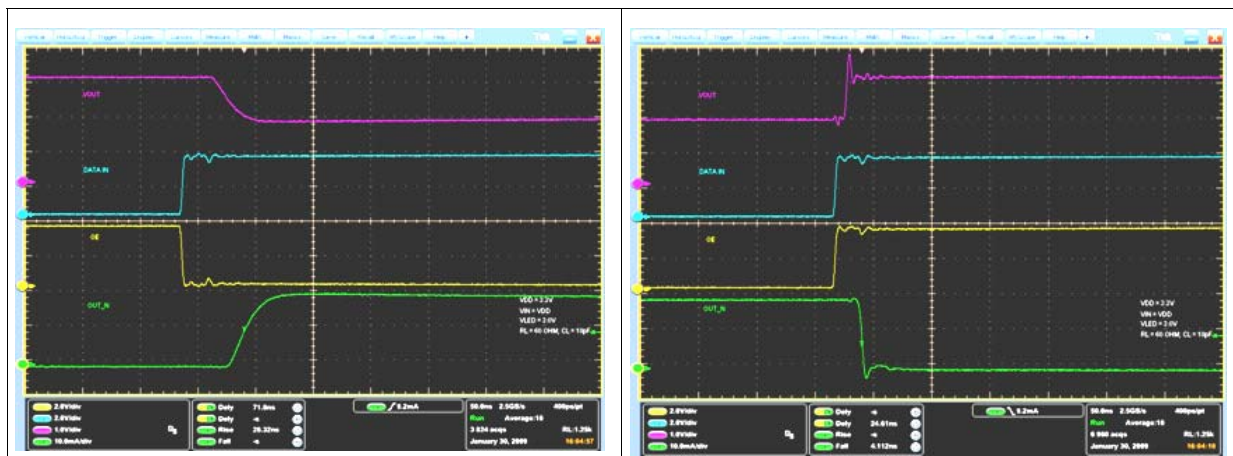
Figure 15. Power dissipation vs. package temperature



Note: The exposed pad should be soldered to the PCB to obtain the thermal benefits.

Figure 16. Turn ON output current characteristics (1)

Figure 17. Turn OFF output current characteristics (2)



Electrical conditions:

Vdd = 3.3 V, Vin = Vdd, Vled = 3.0 V, RL = 60 Ω, CL = 10 pF

Ch1 (Yellow) = OE/DM2, Ch2 (Blue) = SDI, Ch3 (Purple) = VOUT, Ch4 (Green) = OUT

1. The reference level for the T_{ON} characteristics is 50% of OE/DM2 signal and 90% of output current
2. The reference level for the T_{OFF} characteristics is 50% of OE/DM2 signal and 10% of output current

7 Error detection mode functionality

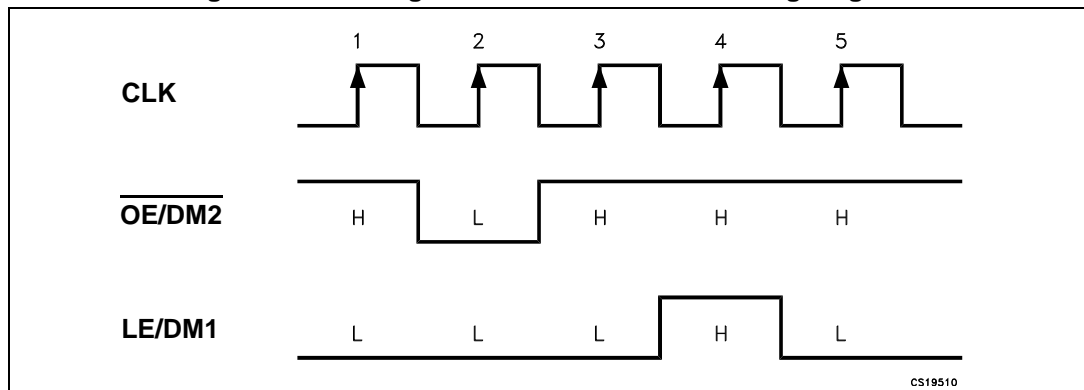
7.1 Phase one: entering error detection mode

From the “normal mode” condition the device can switch to “error mode” by a logic sequence on the $\overline{OE/DM2}$ and LE/DM1 pins, as shown in the following table and diagram:

Table 13. Entering error detection mode - truth table

CLK	1°	2°	3°	4°	5°
$\overline{OE/DM2}$	H	L	H	H	H
LE/DM1	L	L	L	H	L

Figure 18. Entering error detection mode - timing diagram

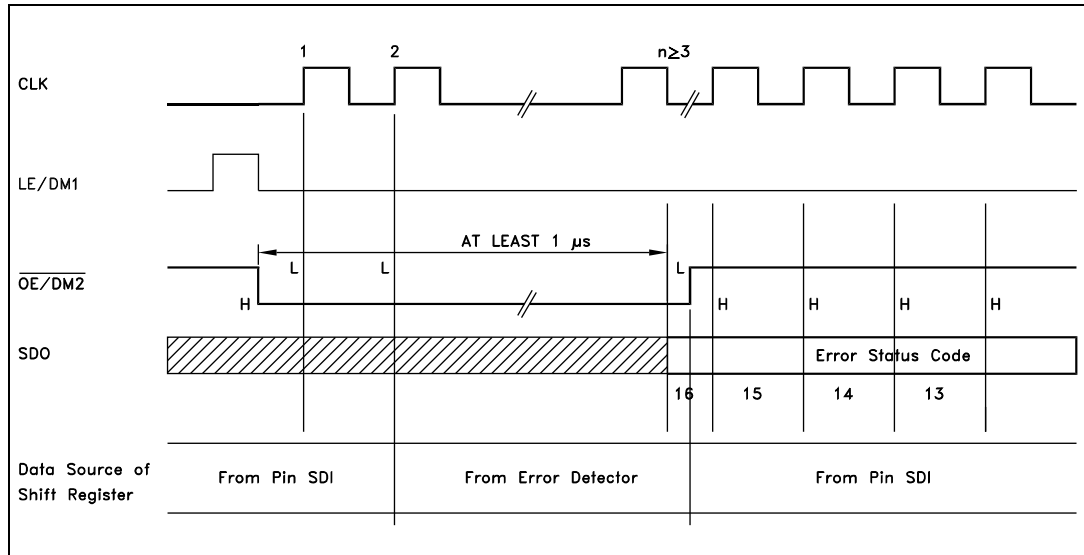


After these five CLK cycles, the device goes into “error detection mode” and at the rising edge of the 6th CLK cycle, the SDI data are ready for sampling.

7.2 Phase two: error detection

The 16 data bits must be set to “1” in order for all the outputs to be ON during error detection. The data are latched by LE/DM1, after which the outputs are ready for the detection process. When the microcontroller switches the OE/DM2 to LOW, the device drives the LEDs to analyze if an OPEN or SHORT condition has occurred.

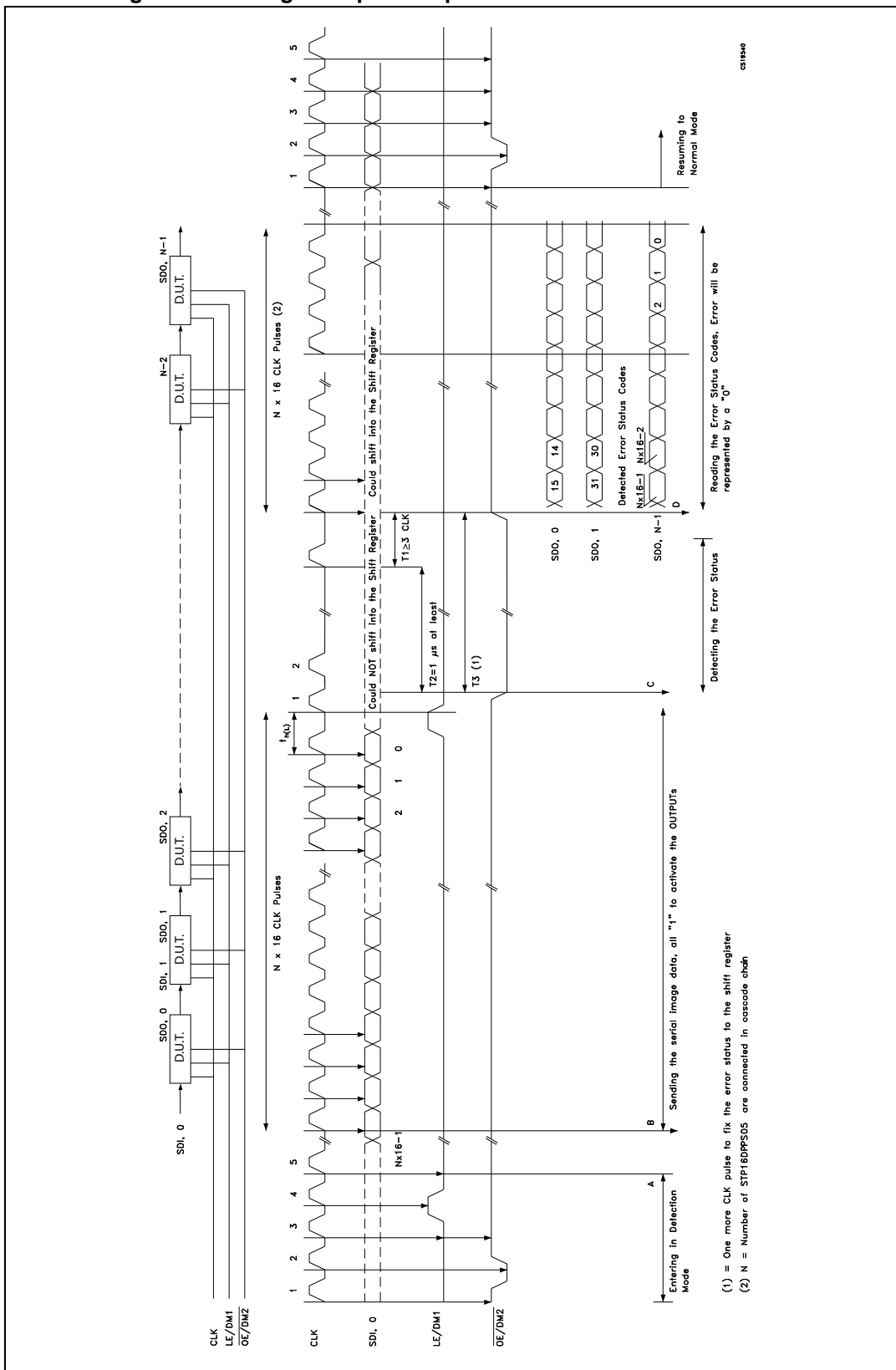
Figure 19. Detection diagram



The status of the LEDs is detected in at least 1 microsecond, and after this period the microcontroller sets OE/DM2 to HIGH state and the output data detection result is sent to the microcontroller via SDO.

Error detection mode and normal mode both use the same data format. As soon as all the detection data bits are available on the serial line, the device may return to normal mode of operation. To re-detect the status, the device must first return to normal mode and reenter error detection mode.

Figure 20. Timing example for open and/or short-circuit detection



7.3 Phase three: resuming normal mode

The sequence for reentering normal mode is shown in the following table:

Figure 21. Resuming normal mode - timing diagram

CLK	1°	2°	3°	4°	5°
$\overline{\text{OE/DM2}}$	H	L	H	H	H
LE/DM1	L	L	L	L	L

Note: For proper device operation, the “entering error detection” sequence must be followed by a “resume mode” sequence, it is not possible to insert consecutive equal sequences.

7.4 Error detection conditions

Table 14. Detection conditions ($V_{DD} = 3.3$ to 5 V, temperature range -40 to 125 °C)

Configuration	Detect mode	Detection results		
SW-1 or SW-3b	Open line or output short to GND detected	$\implies I_{ODEC} \leq 0.5 \times I_O$	No error detected	$\implies I_{ODEC} \geq 0.5 \times I_O$
SW-2 or SW-3a	Short on LED or short to V-LED detected	$\implies V_O \geq 2.6$ V	No error detected	$\implies V_O \leq 2.3$ V

Note: Where: I_O = the output current programmed by the R-EXT, I_{ODEC} = the detected output current in detection mode

Figure 22. Detection circuit

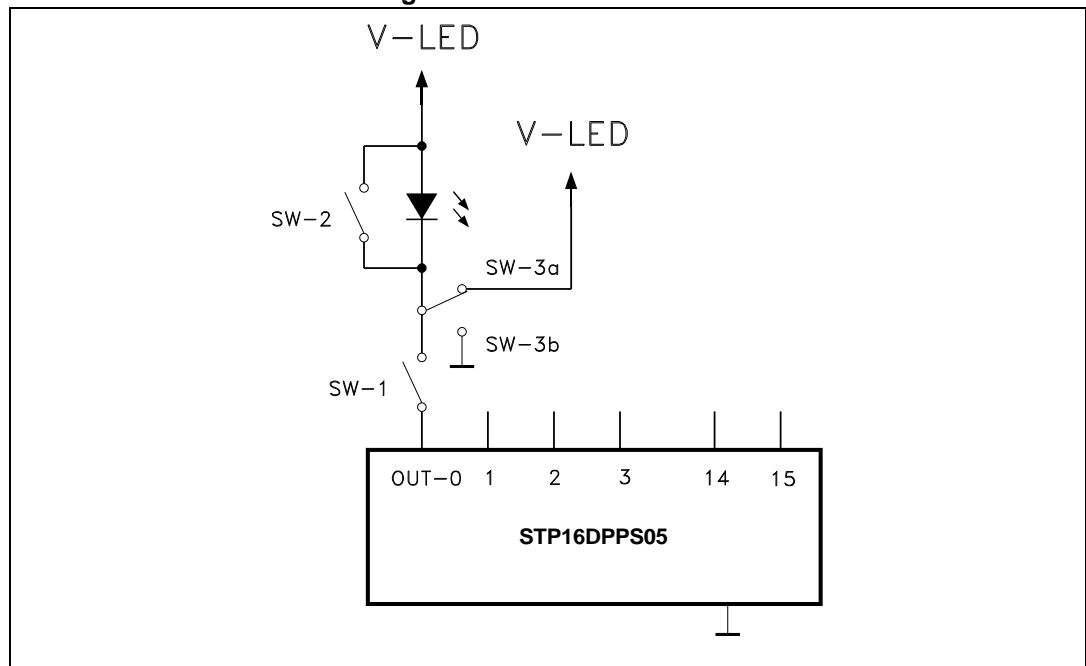
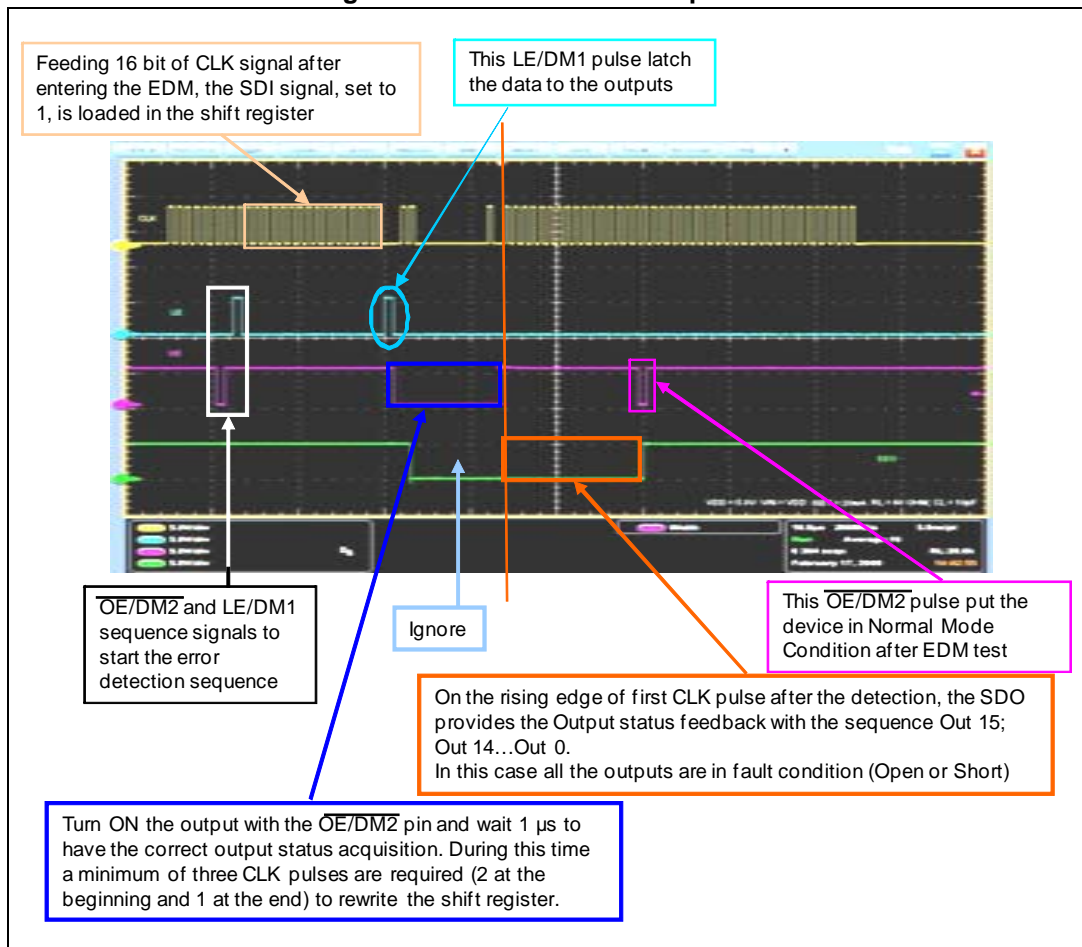


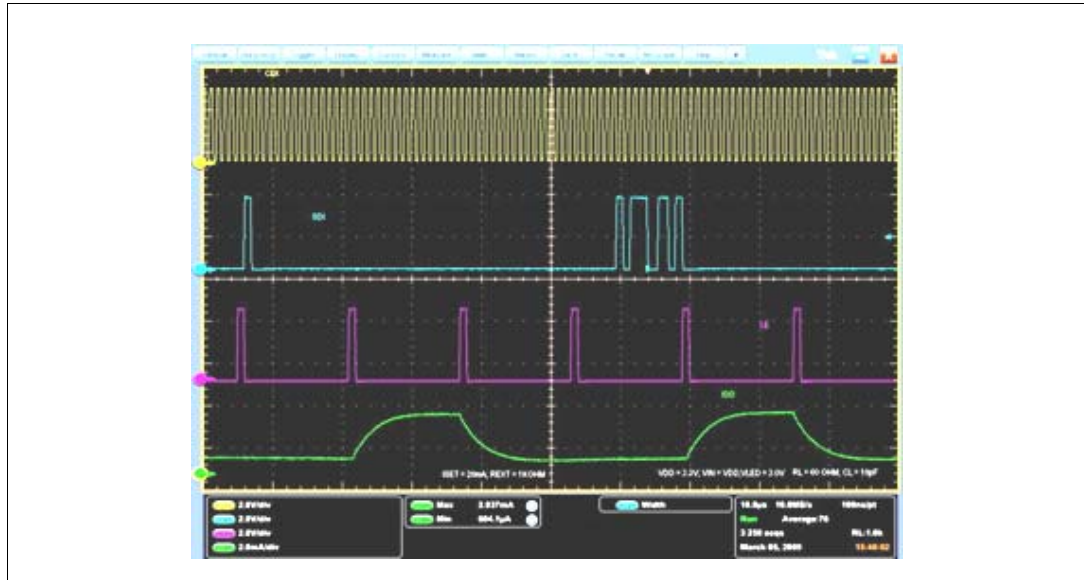
Figure 23. Error detection sequence



7.5 Auto power-saving

The auto power-saving feature minimizes the quiescent current if no active data is detected on the latches and auto powers-up the device as the first active data is latched.

Figure 24. Auto power-saving feature



Conditions:

Temp. = 25 °C, Vdd = 3.3 V, Vin = Vdd, VLed = 3.0 V, Iset = 20 mA

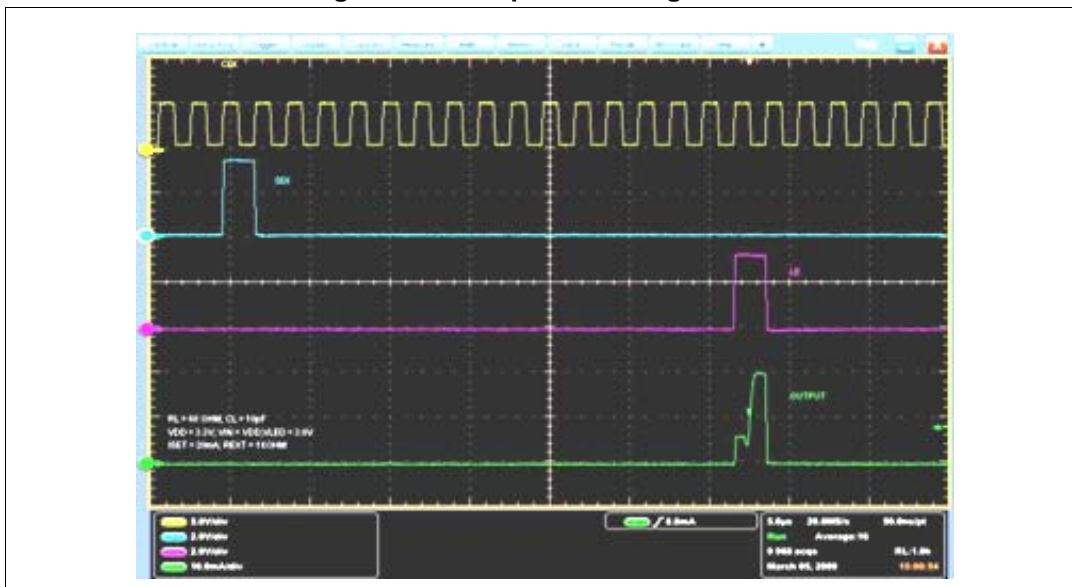
Ch1 (Yellow) = CLK, Ch2 (Blue) = SDI, Ch3 (Purple) = LE/DM1, Ch4 (Green) = IDD

Idd consumption:

Idd (normal operation) = 2.93 mA

Idd (shutdown condition) = 170 μ A

Figure 25. Auto power-saving feature



Conditions:
 Temp. = 25°C, Vdd = 3.3 V, Vin = Vdd, VLed = 3.0 V, Iset = 20 mA
 Ch1 (Yellow) = CLK, Ch2 (Blue) = SDI, Ch3 (Purple) = LE/DM1, Ch4 (Green) = IDD

Note: *When the device goes from auto power-saving to normal operating condition, the first output that switches ON shows the T_{ON} condition as seen in the plot above.*

8 Package mechanical data

In order to meet environmental requirements, ST offers these devices in different grades of ECOPACK® packages, depending on their level of environmental compliance. ECOPACK® specifications, grade definitions and product status are available at: www.st.com. ECOPACK® is an ST trademark.

Figure 26. QSOP-24 package dimensions

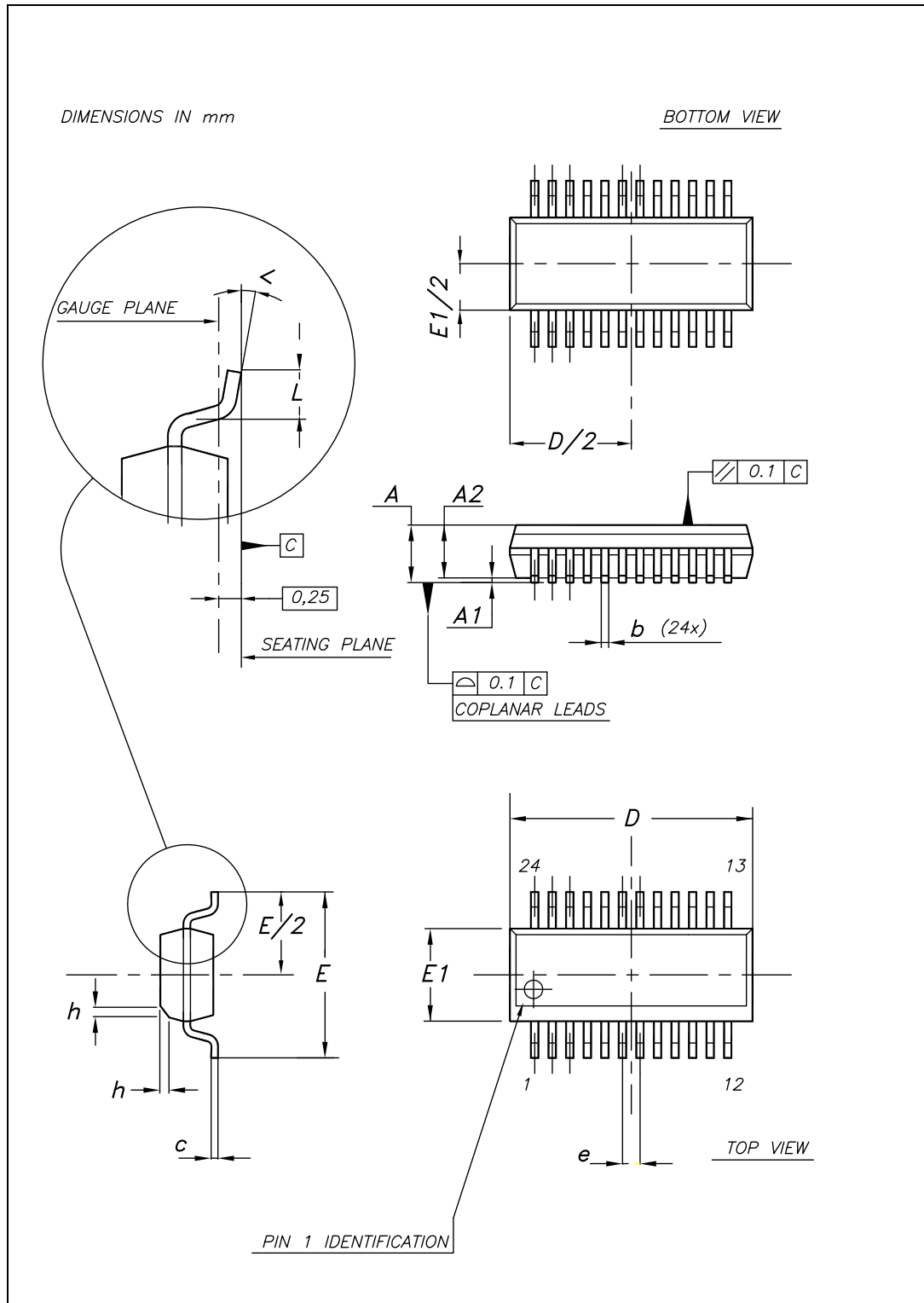


Table 15. QSOP-24 mechanical data

Dim.	mm.		
	Min	Typ	Max
A	1.54	1.62	1.73
A1	0.1	0.15	0.25
A2		1.47	
b	0.31	0.2	
c	0.254	0.17	
D	8.56	8.66	8.76
E	5.8	6	6.2
E1	3.8	3.91	4.01
e		0.635	
L	0.4	0.635	0.89
h	0.25	0.33	0.41
<	8°	0°	

Figure 27. TSSOP24 package dimensions

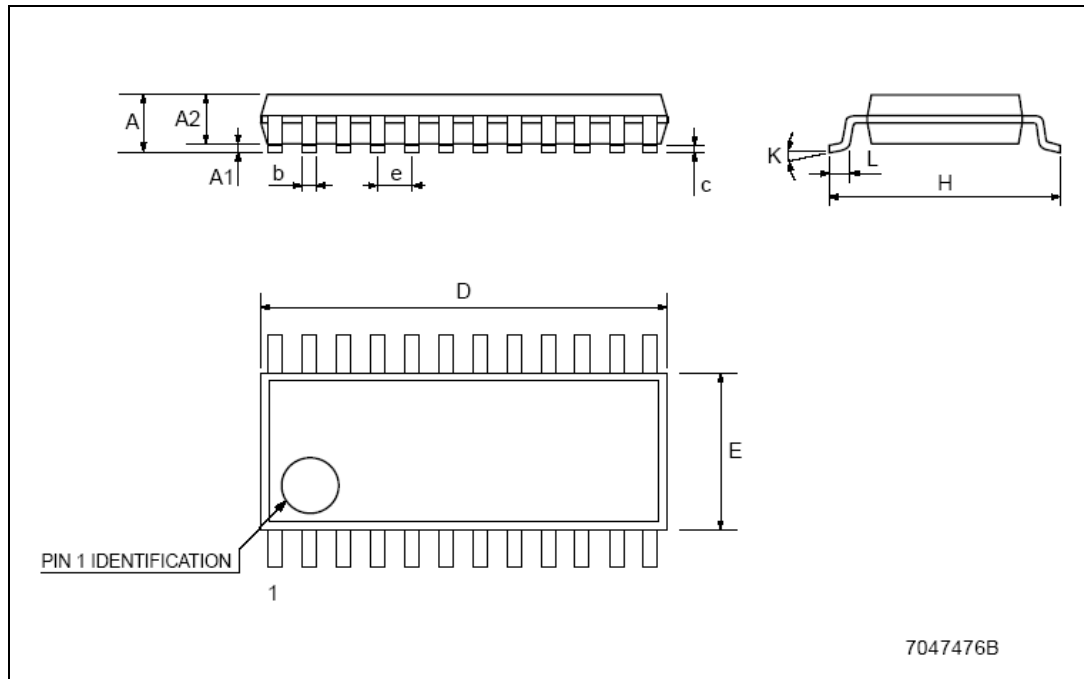
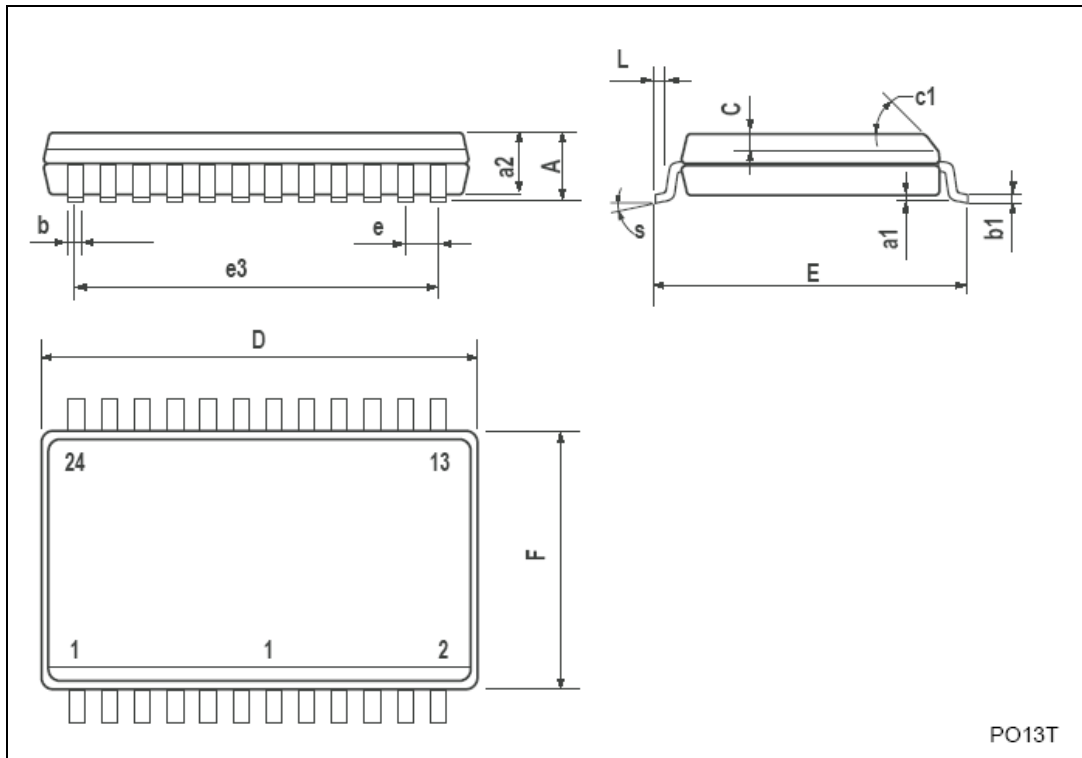


Table 16. TSSOP24 mechanical data

Dim.	mm		
	Min.	Typ.	Max.
A			1.1
A1	0.05		0.15
A2		0.9	
b	0.19		0.30
c	0.09		0.20
D	7.7		7.9
E	4.3		4.5
e		0.65 BSC	
H	6.25		6.5
K	0°		8°
L	0.50		0.70

Figure 28. SO-24 package dimensions

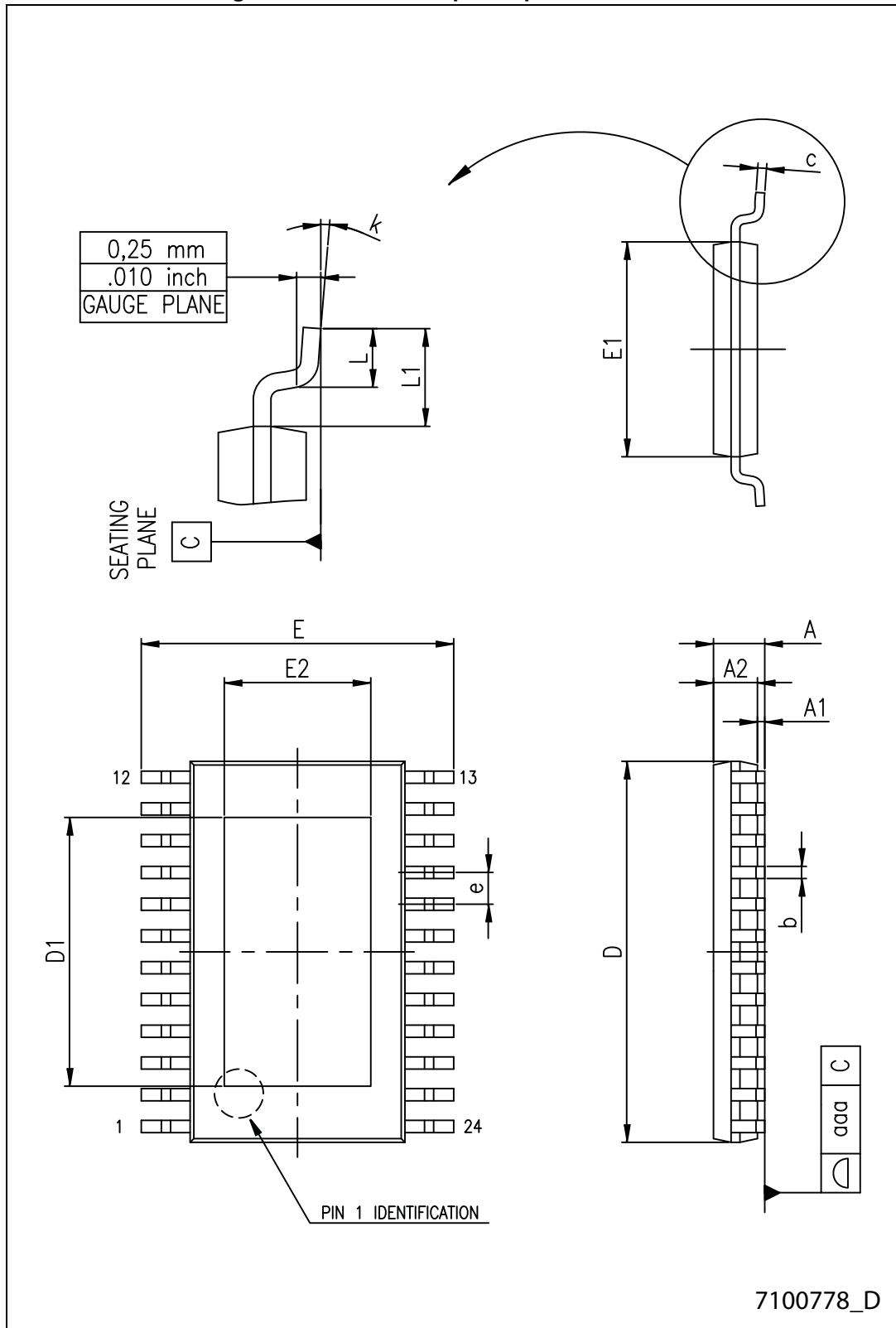


PO13T

Table 17. SO-24 mechanical data

Dim.	mm.		
	Min	Typ	Max
A			2.65
a1	0.1		0.2
a2			2.45
b	0.35		0.49
b1	0.23		0.32
C		0.5	
c1	45°(typ.)		
D	15.20		15.60
E	10.00		10.65
e		1.27	
e3		13.97	
F	7.40		7.60
L	0.50		1.27
S	°(max.) 8		

Figure 29. TSSOP24 exposed pad dimensions



7100778_D

Table 18. TSSOP24 exposed pad mechanical data

Dim.	mm		
	Min.	Typ.	Max.
A			1.20
A1			0.15
A2	0.80	1.00	1.05
b	0.19		0.30
c	0.09		0.20
D	7.70	7.80	7.90
D1	4.80	5.00	5.2
E	6.20	6.40	6.60
E1	4.30	4.40	4.50
E2	3.00	3.20	3.40
e		0.65	
L	0.45	0.60	0.75
L1		1.00	
k	0		8
aaa			0.10

9 Packaging mechanical data

Figure 30. TSSOP24, TSSOP24 exposed pad and SO-24 reel dimensions

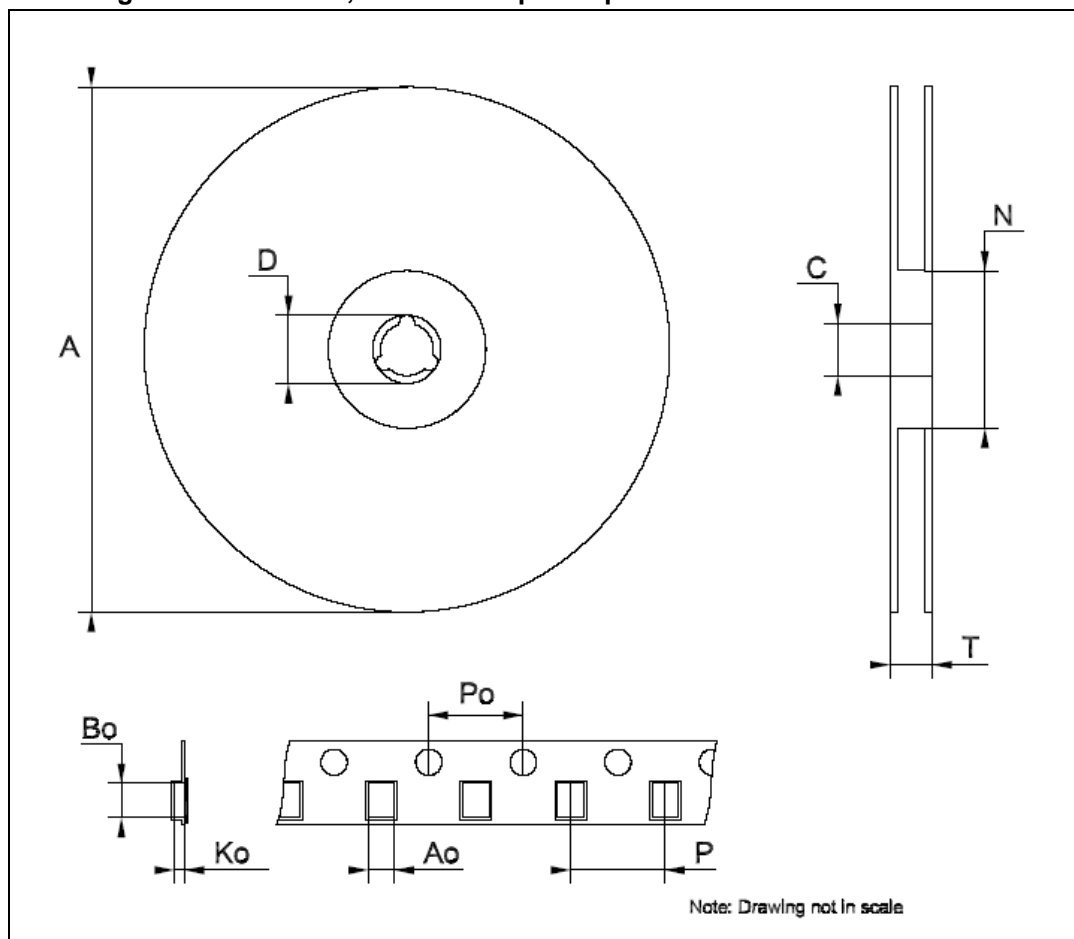


Table 19. TSSOP24 and TSSOP24 exposed pad tape and reel mechanical data

Dim.	mm		
	Min.	Typ.	Max.
A		-	330
C	12.8	-	13.2
D	20.2	-	
N	60	-	
T		-	22.4
Ao	6.8	-	7
Bo	8.2	-	8.4
Ko	1.7	-	1.9
Po	3.9	-	4.1
P	11.9	-	12.1

Table 20. SO-24 tape and reel mechanical data

Dim.	mm.		
	Min	Typ	Max
A		-	330
C	12.8	-	13.2
D	20.2	-	
N	60	-	
T		-	30.4
Ao	10.8	-	11.0
Bo	15.7	-	15.9
Ko	2.9	-	3.1
Po	3.9	-	4.1
P	11.9	-	12.1

10 Revision history

Table 21. Document revision history

Date	Revision	Changes
05-Jun-2009	1	Initial release.
23-Oct-2009	2	Updated document status from preliminary status to final and <i>Note: on page 3</i>
17-Jun-2014	3	Updated <i>Section 8: Package mechanical data</i> . Added <i>Section 9: Packaging mechanical data</i> . Minor text changes.

Please Read Carefully:

Information in this document is provided solely in connection with ST products. STMicroelectronics NV and its subsidiaries ("ST") reserve the right to make changes, corrections, modifications or improvements, to this document, and the products and services described herein at any time, without notice.

All ST products are sold pursuant to ST's terms and conditions of sale.

Purchasers are solely responsible for the choice, selection and use of the ST products and services described herein, and ST assumes no liability whatsoever relating to the choice, selection or use of the ST products and services described herein.

No license, express or implied, by estoppel or otherwise, to any intellectual property rights is granted under this document. If any part of this document refers to any third party products or services it shall not be deemed a license grant by ST for the use of such third party products or services, or any intellectual property contained therein or considered as a warranty covering the use in any manner whatsoever of such third party products or services or any intellectual property contained therein.

UNLESS OTHERWISE SET FORTH IN ST'S TERMS AND CONDITIONS OF SALE ST DISCLAIMS ANY EXPRESS OR IMPLIED WARRANTY WITH RESPECT TO THE USE AND/OR SALE OF ST PRODUCTS INCLUDING WITHOUT LIMITATION IMPLIED WARRANTIES OF MERCHANTABILITY, FITNESS FOR A PARTICULAR PURPOSE (AND THEIR EQUIVALENTS UNDER THE LAWS OF ANY JURISDICTION), OR INFRINGEMENT OF ANY PATENT, COPYRIGHT OR OTHER INTELLECTUAL PROPERTY RIGHT.

ST PRODUCTS ARE NOT DESIGNED OR AUTHORIZED FOR USE IN: (A) SAFETY CRITICAL APPLICATIONS SUCH AS LIFE SUPPORTING, ACTIVE IMPLANTED DEVICES OR SYSTEMS WITH PRODUCT FUNCTIONAL SAFETY REQUIREMENTS; (B) AERONAUTIC APPLICATIONS; (C) AUTOMOTIVE APPLICATIONS OR ENVIRONMENTS, AND/OR (D) AEROSPACE APPLICATIONS OR ENVIRONMENTS. WHERE ST PRODUCTS ARE NOT DESIGNED FOR SUCH USE, THE PURCHASER SHALL USE PRODUCTS AT PURCHASER'S SOLE RISK, EVEN IF ST HAS BEEN INFORMED IN WRITING OF SUCH USAGE, UNLESS A PRODUCT IS EXPRESSLY DESIGNATED BY ST AS BEING INTENDED FOR "AUTOMOTIVE, AUTOMOTIVE SAFETY OR MEDICAL" INDUSTRY DOMAINS ACCORDING TO ST PRODUCT DESIGN SPECIFICATIONS. PRODUCTS FORMALLY ESCC, QML OR JAN QUALIFIED ARE DEEMED SUITABLE FOR USE IN AEROSPACE BY THE CORRESPONDING GOVERNMENTAL AGENCY.

Resale of ST products with provisions different from the statements and/or technical features set forth in this document shall immediately void any warranty granted by ST for the ST product or service described herein and shall not create or extend in any manner whatsoever, any liability of ST.

ST and the ST logo are trademarks or registered trademarks of ST in various countries.

Information in this document supersedes and replaces all information previously supplied.

The ST logo is a registered trademark of STMicroelectronics. All other names are the property of their respective owners.

© 2014 STMicroelectronics - All rights reserved

STMicroelectronics group of companies

Australia - Belgium - Brazil - Canada - China - Czech Republic - Finland - France - Germany - Hong Kong - India - Israel - Italy - Japan - Malaysia - Malta - Morocco - Philippines - Singapore - Spain - Sweden - Switzerland - United Kingdom - United States of America

www.st.com

