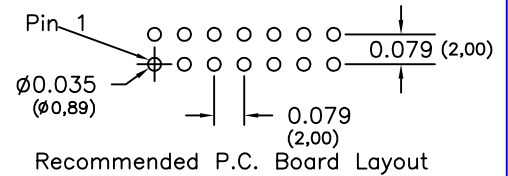
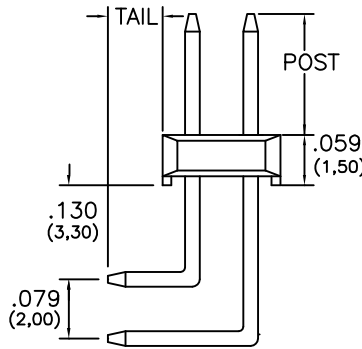
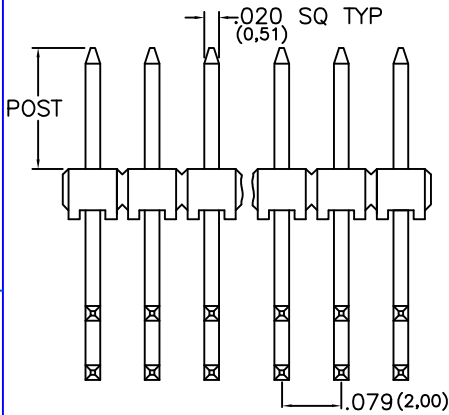
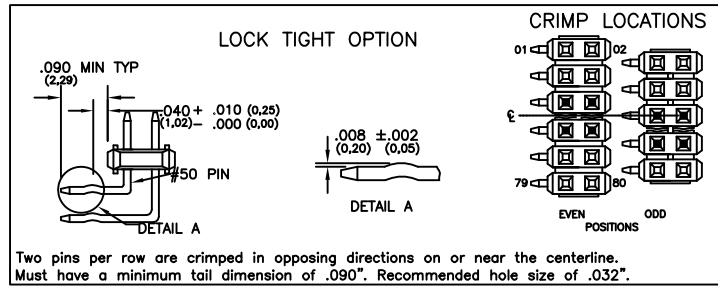
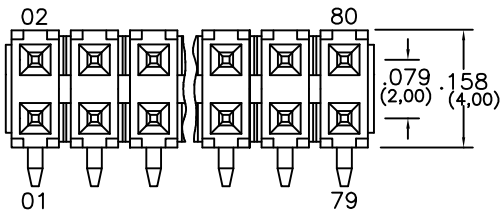


Major League Electronics .079 cl Terminal Strip Headers - Custom - Right Angle - Elevated



Tails may be clipped to achieve desired pin length

$$\text{Length (L)} - \text{Post Height (P)} - .209 (5.31) = \text{Tail length (T)}$$

Ordering Information

TSHCRE-2 [] - D - [] - [] - [] - [] - [] - LF

Pins Per Row
01 - 40

Row Specification
D = Dual Row

Lead Free

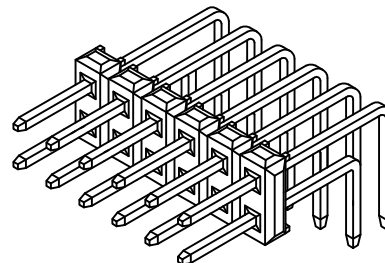
Polarized Position
Leave blank if not needed
If required, specify empty pin position, e.g. 012 for Pin 12

Lock Tight "LT" Option
Leave blank if not needed
LT = With

Pin Options			
Length		Max. Post Height	
.377	9.58mm	.078	1.98mm 01
.397	10.08mm	.098	2.48mm 02
.417	10.59mm	.118	3.00mm 04
.456	11.58mm	.157	3.99mm 05
.555	14.10mm	.256	6.50mm 06
.575	14.61mm	.276	7.01mm 08
.594	15.09mm	.295	7.49mm 10

Plating Options	
G	10µ Gold on Contact Area / Flash on Tail
T	Matte Tin All Over
GT	10µ Gold on Contact Area / Matte Tin on Tail
H	30µ Gold on Contact Area / Matte Tin on Tail
F	Gold Flash over Entire Pin

Desired Post Height
Please specify
e.g. .100 (2.54) = 100



Mates with:

BCSS,
BSSH,
BSSHC,
BSSQ,
BSSQC,
BSSQM,
LSMBC,
LSSHSM,
SMBC,
SSHQ,
SSHQR,
SSHR,
SSHS,
SSHSM,
ULSMBC

Specifications

Current Rating: 3.0 Ampere
Insulation Resistance: 1000MΩ Min.
Dielectric Withstanding: 500V AC
Contact Resistance: 20 mΩ Max.
Operating Temperature: -40°C to + 105°C
Max. Process Temperature:
Peak: 260°C up to 10 secs.
Process: 230°C up to 60 secs.
Wave: 260°C up to 6 secs.
Manual Solder: 350°C up to 5 secs.

Materials

Contact Material: Phosphor Bronze
Insulator Material: Nylon 6T
Plating: Au or Sn over 50µ" (1,27) Ni

Products cut to specific sizes are uncancellable/nonreturnable

Parts are subject to change without notice

TSHCRE-2-D SERIES

.079cl Dual Row - Custom - Elevated
Terminal Strip Headers - Right Angle

20 FEB 07

Scale
NTS

UNLESS OTHERWISE SPECIFIED
DIMENSIONS IN INCHES (MM)
TOLERANCES ARE:

ONE PLACE DECIMALS ±.100
TWO PLACE DECIMALS ±.010
THREE PLACE DECIMALS ±.005
FOUR PLACE DECIMALS ±.0020

ANGLES
±.5°



4235 Earnings Way, New Albany, Indiana, 47150, USA
1-800-782-3486 (USA/Canada/Mexico)
Tel: 812-944-7244
Fax: 812-944-7268
E-mail: mle@mlelectronics.com
Web: www.mlelectronics.com

Edition
1

Sheet
1/1