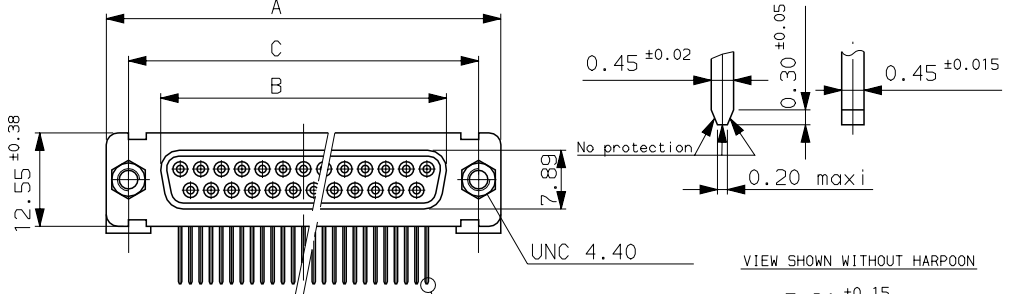


H G F E D C B A

DETAIL A: termination end



ELECTRICAL DATA

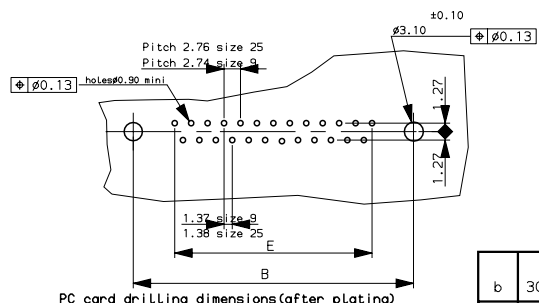
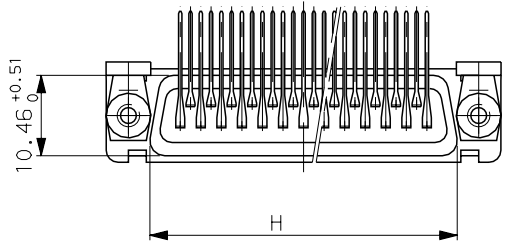
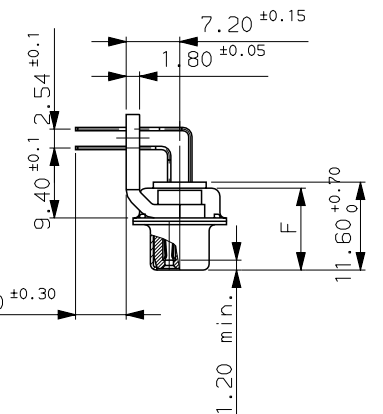
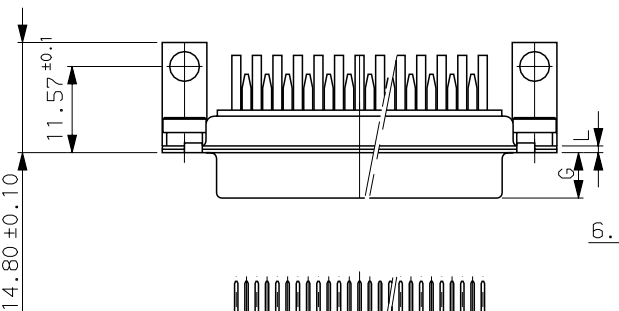
-Current at AMB.	4A
-I max	5A
-Contact resistance	≤10mΩ
-Insulation resistance	>5000MΩ
-TEST VOLTAGE	
contact/contact	≥1000V
contact/ground	≥1200V

MECHANICAL DATA

-Contact force	≥0.20N
-Retention force	≥20N
-Insertion force	according to DIN41652 Part 2
-Withdrawal force	according to DIN41652 Part 2
-Mechanical endurance	:500 matings/unmatings
-shell material	steel, bright tin-Lead
-insulator material	green glass filled thermoplastic UL94V0
-Threaded insert material	brass, bright tin-Lead
-bracket material	steel, bright tin-Lead
-Contacts material	Socket: phosphor bronze
-Finish on contact area	0.8μ gold over 2μ nickel
-Finish on termination end	bright tin-Lead over nickel
-Solderability	according to DIN 41640 Part 70, test 12a
-Schock	according to DIN41640 Part 14, test 6c, 50g
-Vibration	according to DIN41640 Part 15, test 6d, 20g 10 to 2000Hz: discontinuity ≤1μs

ENVIRONMENTAL DATA

-Climatic category	-55/105/21
-Corrosion	salt spray: 24h



Dimensions are in millimeters

Shell size	Number of contacts	A ^{+0.76} ₀	B ^{+0.25} ₀	C ±0.12	G ^{+0.25} ₀	H ^{+0.51} ₀	L ^{+0.22} ₀	PART NUMBER
E	09	30.43	16.21	24.99	6.05	19.02	0.80	DE009S565MTSP271
A	15	38.76	24.54	33.32	6.05	27.25	0.80	DA015S565MTSP271
B	25	52.65	38.25	47.04	6.05	41.02	0.80	DB025S565MTSP271
C	37	68.94	54.71	63.50	6.05	57.45	0.80	DC037S565MTSP271

PC card drilling dimensions (after plating)
(thickness 1.60±0.20mm)

b	30/03/01	Add a part number of specification SP271	--
ISS	DATE	Latest modification by : JOUBERT	MOD N°
Designed by: JOUBERT date 20/03/01		Type of drawing: CLIENT	
TITLE : SPECIFIC FEMALE CONNECTOR SUB D RIGHT ANGLED SPILL			SHEET 1/1
SCALE: 1.5			
	FRAMATOME CONNECTORS FRANCE Rue Louis Breguet - BP 05 72024 LE MANS Cedex Tel. 33 (16) 43.84.08.43		This document is the property of FRAMATOME CONNECTORS FRANCE It must not be reproduced or communicated without permission in writing from the owners
FORMAT A3	SOURIAU DRG N° C01-8636-1529		PROJECT M94D001

H G F E D C B A