

## Power Inductors / Wire Wound type

Series: **G**  
 Type: **ELL4FG-A**  
**ELL4GG**  
**ELL4LG-A**



### ■ Features

- Magnetic shielded structure
- Low DC resistance and large current capability
- Shock resistant
- RoHS compliant

### ■ Recommended Applications

- DC-DC converter circuitry for computer peripherals and cellular phones.
- Chopper circuit decoupling chokes for DC-DC converter circuitry.

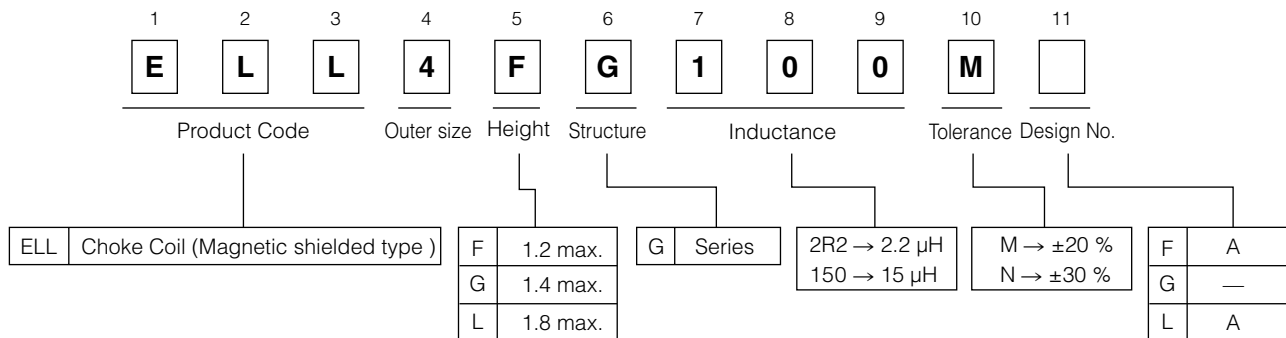
### ■ Standard Packing Quantity

- 2000 pcs./Reel (ELL4FG-A/ELL4GG)
- 3000 pcs./Reel (ELL4LG-A)

### ■ Soldering Conditions and Safety Precautions

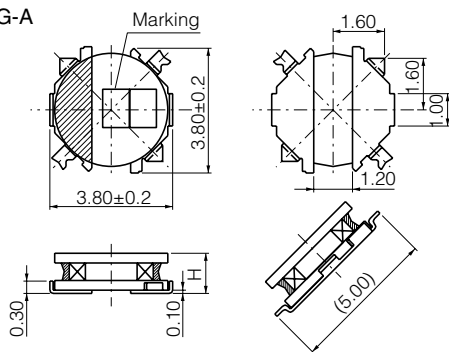
Please see Data Files.

### ■ Explanation of Part Numbers



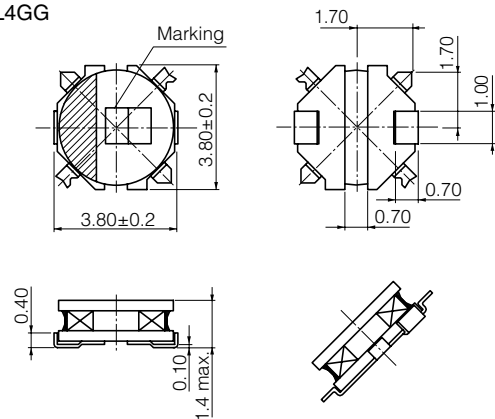
### ■ Dimensions in mm (not to scale)

- ELL4FG-A
- ELL4LG-A



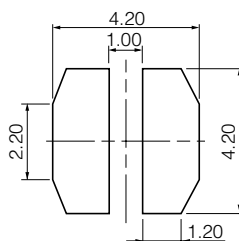
Type	H
ELL4FG-A	1.1±0.10 (1.20 max.)
ELL4LG-A	1.80 max.

- ELL4GG

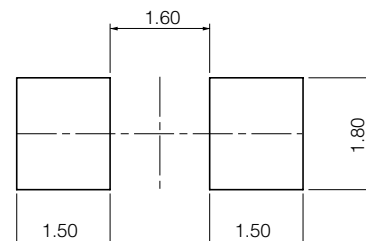


### ■ Recommended land patterns in mm (not to scale)

- ELL4FG-A
- ELL4LG-A



- ELL4GG



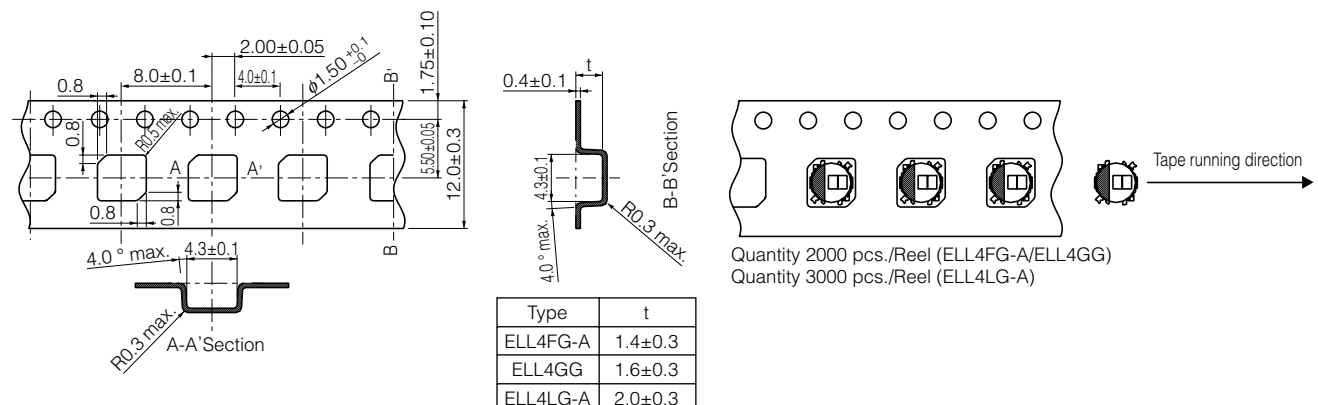
## Standard Parts

Series	Part Number	Inductance (100 kHz)		R <sub>DC</sub> (at 20 °C)		Saturation Rated Current* <sup>1</sup> (mA max.)	Temperature Rise Current* <sup>2</sup> (mA max.)	Marking	
		(μH)	Tol.	(mΩ)	Tol.				
Series 4FG-A	ELL4FG1R0NA	1.0	±30 %	45	±20 %	1900	1950	01	
	ELL4FG1R5NA	1.5		60		1600	1700	06	
	ELL4FG2R0NA	2.0		70		1300	1550	10	
	ELL4FG3R3NA	3.3		110		1100	1220	16	
	ELL4FG4R7NA	4.7		160		1000	1000	21	
	ELL4FG6R8NA	6.8	220	800		860	26		
	ELL4FG100MA	10.0	±20 %	290		700	750	31	
	ELL4FG150MA	15.0		480		600	580	33	
	ELL4FG220MA	22.0		620		420	500	36	
	ELL4FG330MA	33.0		1060		360	400	39	
	ELL4FG470MA	47.0		1600		290	330	51	
Series 4GG	ELL4GG1R2N	1.2	±30 %	50	±20 %	2400	1900	03	
	ELL4GG1R8N	1.8		71		1900	1550	09	
	ELL4GG2R2N	2.2		88		1700	1400	11	
	ELL4GG3R3N	3.3		110		1500	1200	16	
	ELL4GG3R9N	3.9		120		1400	1150	19	
	ELL4GG4R7N	4.7		160		1200	1000	21	
	ELL4GG5R6N	5.6		170		1100	970	23	
	ELL4GG6R8N	6.8	200	1050		930	26		
	ELL4GG8R2N	8.2	±20 %	220		1000	870	29	
	ELL4GG100M	10.0		250		900	770	31	
	ELL4GG120M	12.0		380		800	650	32	
	ELL4GG150M	15.0		500		700	580	33	
	ELL4GG220M	22.0		640		600	500	36	
	ELL4GG330M	33.0		980		450	400	39	
	ELL4GG470M	47.0		1250		400	350	51	
	ELL4GG101M	100.0		2400		290	250	56	
	Series 4LG-A	ELL4LG1R0NA		1.0		±30 %	43	±20 %	2200
ELL4LG1R5NA		1.5		48	1700		1800		06
ELL4LG2R2NA		2.2	55	1500	1700		11		
ELL4LG2R7NA		2.7	63	1400	1550		13		
ELL4LG3R3NA		3.3	72	1300	1450		16		
ELL4LG4R7NA		4.7	90	1100	1300	21			
ELL4LG6R2NA		6.2	140	930	1100	25			
ELL4LG100MA		10.0	±20 %	200	800	950	31		
ELL4LG150MA		15.0		300	620	730	33		
ELL4LG220MA		22.0		390	550	640	36		
ELL4LG330MA		33.0		610	430	510	39		
ELL4LG470MA		47.0		920	360	410	51		
ELL4LG680MA		68.0		1300	270	350	53		
ELL4LG101MA		100.0		2200	250	260	56		
ELL4LG151MA		150.0		3000	220	220	59		

\*1 Saturation Rated Current : This DC current which causes a 30 % inductance reduction from its nominal value.

\*2 Temperature Rise Current : This indicates the value of current when temperature rise dt/t= 40 °C (at 20 °C).

## Embossed Carrier Tape Dimensions in mm (not to scale)



Design and specifications are each subject to change without notice. Ask factory for the current technical specifications before purchase and/or use. Should a safety concern arise regarding this product, please be sure to contact us immediately.