

In line high pressure filters

HF 735 series



IKRON
Fluid Filtration
Descr: HF735-20,200-AS-P020
Filter: HMP41879
Element: HPC01811
Serial: 00300
MADE IN ITALY

THE IMPORTANCE OF AN EFFICIENT FILTRATION

The main cause of anomalies in hydraulic systems has to be attributed to the presence of contaminants in the fluid. The nature of the contaminant may be: gaseous, namely air mixed with the fluid; fluid, it depends on water penetrating the fluid; solid, therefore particles of various origins and dimensions.

Customers who operate equipments are always focused on obtaining the best possible performance, lower energy consumptions and greater respect for the environment.

These characteristics can be attained by using top quality components in the hydraulic system for generating and regulating the fluid power, which are also more sensitive to the presence of contaminants in the fluid.

Starting from these requirements, we understand how important and fundamental it is to prevent the presence of air and water from mixing in the fluid tank by using dedicated solutions.

It is also crucial to limit the presence of solid particles in the hydraulic circuit through a suitable filtering system, which is indispensable to maintain the project requirements of the system over time and to keep running costs low.

The correct choice of a filter and its optimum position in the hydraulic system requires the same care and experience needed to choose all the other components.

The use of filters with larger filtering surfaces reduces, at equal flow rates, the superficial contaminant load and therefore the filter's life is extended proportionally.

To maintain the maximum efficiency of the system, the filters must have a clogging indicator showing the differential pressure on the filtering cartridge and to immediately point out when the cartridge needs replacing in order to prevent the by-pass valve from opening.

The following factors should be analysed when choosing the ideal filter:

- The filtration degree required to protect the most sensitive component from contamination
- The points of the circuit in which the filters have to be installed
- The working pressure of the system
- The maximum flow rate and the type of fluid to be filtered
- The duty cycle
- The retention efficiency of the filtering cartridge
- The contaminant accumulation capacity of the filtering cartridge
- The working ambient temperature

Each filter used generates a pressure drop that increases continuously as time goes by. This pressure drop represents an efficiency index of the filter itself.

When the hydraulic system is about to be assembled, all the components must be perfectly clean and the fluid has to be added through a device complete with a filter.

During the test phase, it is advisable to run some work cycles at low pressure in order to create the best possible conditions for all the components.

TECHNICAL CHARACTERISTICS

The filters of the HF 735 series are connected to the pressure line of the circuit and they protect the system's components against contaminant particles.

The standard filters are supplied with by-pass valve calibrated at 87 psi (6 bar).

For applications where the maximum protection of the system is requested, such as servo drives or proportional controls, the filters are equipped with highly resistant filtering elements (versions "HC") and do not have a by-pass valve.

- Flow up to 40 US gpm (150 l/min)
- Maximum working pressure 4640 psi (320 bar)
- High efficiency multilayer system
- Direct mounting on manifold

MATERIALS

| | |
|--------------|--|
| Head | Spheroidal cast iron GS 450-10 UNI ISO 1083 |
| Bowl | Extruded steel |
| Seals | Buna - Viton |
| End cap | Zinc plated steel |
| Inner tube | Zinc plated steel |
| Filter media | Inorganic micro-fibre glass |

FLUID COMPATIBILITY

Conforming to ISO 2943 (Norm ISO 6743/4)

| | |
|----------------------|-----------------------------|
| Oil mineral (1) | HH - HL - HM - HR - HV - HG |
| Water emulsion (1) | HFAE - HFAS |
| Water glycol (1) | HFC |
| Syntetic fluid (2) | HS - HFDR - HFDU - HFDS |
| (1) With Buna seals | |
| (2) With Viton seals | |

FLOW

| | |
|-----------|-----------------------|
| Flow max. | 40 US gpm (150 l/min) |
|-----------|-----------------------|

PRESSURE

| | |
|---------------------------------|---------------------------------|
| Working pressure | 4640 psi (320 bar) |
| Testing pressure | 6960 psi (480 bar) |
| Burst pressure | 9280 psi (640 bar) |
| Element collapse pressure | 290 psi (20 bar) (version LC) |
| rating (conforming to ISO 2941) | 3045 psi (210 bar) (version HC) |

BY-PASS VALVE

| | |
|-----------------|----------------|
| By-pass setting | 87 psi (6 bar) |
|-----------------|----------------|

OPERATING TEMPERATURE

| | |
|------------------|----------------------------|
| With Buna seals | -22 ÷ 195 °F (-30 ÷ 90 °C) |
| With Viton seals | -4 ÷ 230 °F (-20 ÷ 110 °C) |

ENDURANCE STRENGTH

1.000.000 cycle
0 ÷ 4640 psi (0 ÷ 320 bar)

DEGREE OF FILTRATION

Multi-pass test conforming to ISO 16889 (regulation in force)
Contaminant ISO MTD - final Δp 87 psi (6 bar)

| Code | Degree of filtration | Ratio $\beta_{x(c)}$ | Percentage of efficiency |
|-------|----------------------|--------------------------|--------------------------|
| FG003 | 5 μm | $\beta_{5(c)} \geq 200$ | 99,5 % |
| FG006 | 7 μm | $\beta_{7(c)} \geq 200$ | 99,5 % |
| FG010 | 10 μm | $\beta_{10(c)} \geq 200$ | 99,5 % |
| FG025 | 21 μm | $\beta_{21(c)} \geq 200$ | 99,5 % |

Multi-pass test conforming to ISO 4572. (previous regulation)
Contaminant ACFTD - final Δp 87 psi (6 bar)

| Code | Degree of filtration | Ratio β_x | Percentage of efficiency |
|-------|----------------------|-----------------------|--------------------------|
| FG003 | 3 μm | $\beta_3 \geq 200$ | 99,5 % |
| FG006 | 6 μm | $\beta_6 \geq 200$ | 99,5 % |
| FG010 | 10 μm | $\beta_{10} \geq 200$ | 99,5 % |
| FG025 | 25 μm | $\beta_{25} \geq 200$ | 99,5 % |

INDICATORS (3)

Visual differential indicator
 Visual electrical differential indicator
 Visual electrical differential indicator with thermostat

(3) Characteristics and dimensions pag. 11

SIZING – PRESSURE DROP

The total pressure drop of the filter is calculated by summing the pressure drop value in the housing to that in the filtering element.

Total $\Delta p = \Delta p$ in housing + Δp in element

In the filters of series HF 735 in normal working conditions, the total Δp must not be more than 11 psi (0,75 bar) whereas, for use in harsh conditions, it must be within 14.5 ÷ 22 psi (1 ÷ 1,5 bar).

To establish the values of pressure drop involved, the following pages provide some diagrams with curves referred to the use of mineral oils SAE 10 with kinematic viscosity of 120 SSU (30 cSt) and density of 7.29 lb/gal (0,856 kg/dm³).

Example calculation

Filter HF735-20.106-AS-FG010-LC-B60-GD-B-DD-G

Flow rate= 12 US gpm (45 l/min)

Kinematic viscosity: 120 SSU (30 cSt)

Oil density : 7.29 lb/gal (0,856 kg/dm³)

Filtering degree: 10 μ m

Data obtained from the diagrams:

Δp in housing = 2.00 psi (0,14 bar) (page 4)

Δp in element = 7.25 psi (0,50 bar) (page 5)

Total $\Delta p = 2.00 + 7.25 = 9.25$ psi (0,64 bar) (Δp is lower than maximum value admitted – therefore sizing is correct).

If oil with different kinematic viscosity and different density is used, the values obtained from the diagrams shall be re-calculated considering the following indications:

1) The pressure drop of the housing is proportional with the oil density, therefore for oil with density different to 7.29 lb/gal (0,856 kg/dm³) the value of the Δp in the head-bowl will be:

$$\Delta p \text{ in housing} = \frac{\Delta p \text{ of diagram (psi)} \cdot \text{Oil density (lb/gal)}}{7.29 \text{ (lb/gal)}} \quad [\text{psi}]$$

Or

$$\Delta p \text{ in housing} = \frac{\Delta p \text{ of diagram (bar)} \cdot \text{Oil density (kg/dm}^3\text{)}}{0,856 \text{ (kg/dm}^3\text{)}} \quad [\text{bar}]$$

2) The pressure drop of the element is proportional with the oil density and kinematic viscosity, therefore for oil with density different to 7.29 lb/gal (0,856 kg/dm³) and kinematic viscosity different to 120 SSU (30 cSt) the value of Δp in the element will be:

$$\Delta p \text{ element} = \Delta p \text{ of diagram (psi)} \cdot \frac{\text{Oil density (lb/gal)}}{7.29 \text{ (lb/gal)}} \cdot \frac{\text{Oil viscosity (SSU)}}{120 \text{ (SSU)}} \quad [\text{psi}]$$

Or

$$\Delta p \text{ element} = \Delta p \text{ of diagram (bar)} \cdot \frac{\text{Oil density (kg/dm}^3\text{)}}{0,856 \text{ (kg/dm}^3\text{)}} \cdot \frac{\text{Oil viscosity (cSt)}}{30 \text{ (cSt)}} \quad [\text{bar}]$$

Now you sum the values of the pressure drop of the housing to the value of the pressure drop of the filtering element, always making sure the total Δp does not exceed the pressure limit of 11 psi (0,75 bar).

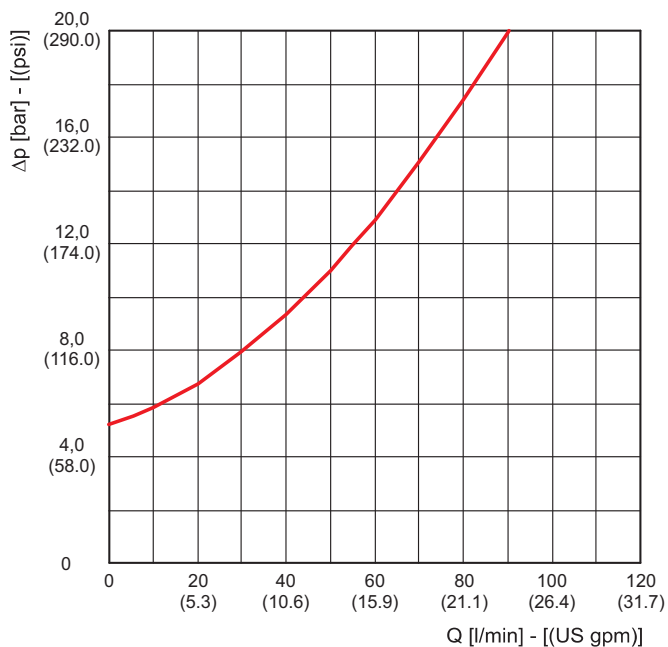
02/01.2012

PRESSURE DROP CURVES THROUGH THE BY-PASS VALVES

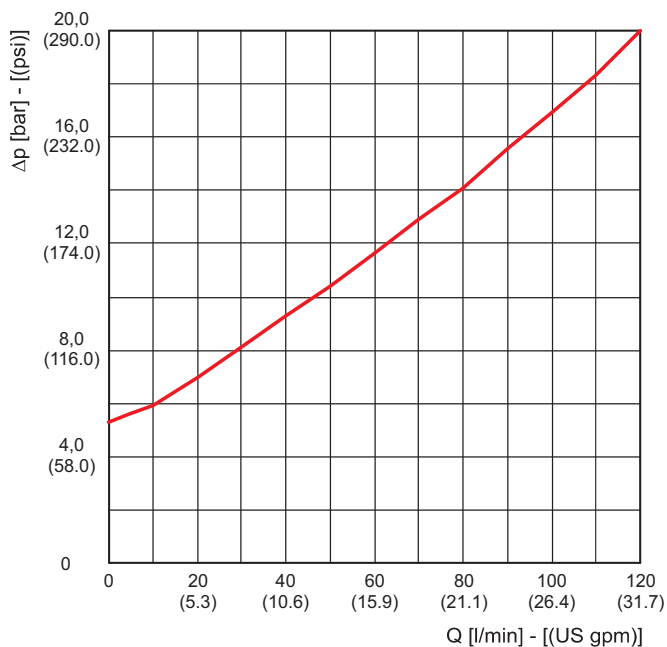
The pressure drop values are directly proportional with the specific weight of the fluid and do not affect the establishment of the total pressure drop of the complete filter.

The curves are obtained in the following conditions:
 Mineral oil type SAE 10
 Kinematic viscosity 120 SSU (30 cSt)
 Density 7.29 lb/gal (0,856 kg/dm³).

HF 735-20



HF 735-30

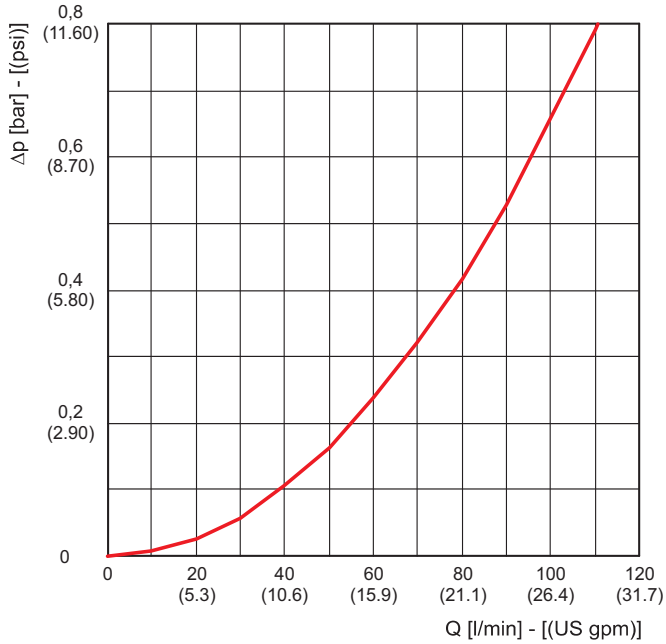


02/01.2012

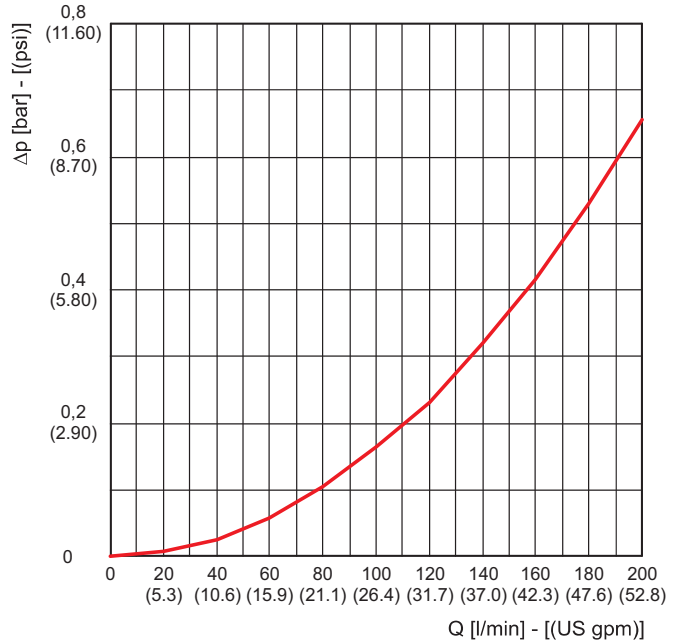
PRESSURE DROP CURVES THROUGH THE HOUSING

The curves are obtained in the following conditions:
 Mineral oil type SAE 10
 Kinematic viscosity 120 SSU (30 cSt)
 Density 7.29 lb/gal (0,856 kg/dm³).

HF 735-20



735-30



02/01.2012

PRESSURE DROP CURVES THROUGH THE ELEMENT K85-20

The curves are obtained in the following conditions:

Mineral oil type SAE 10

Kinematic viscosity 120 SSU (30 cSt)

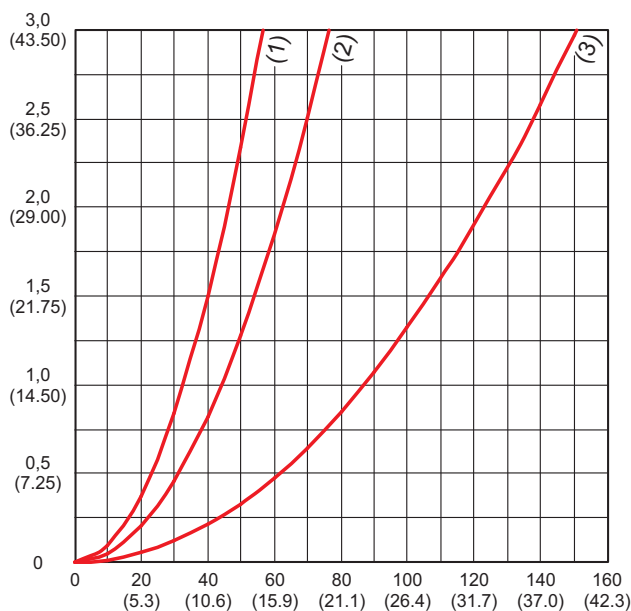
Density 7.29 lb/gal (0,856 kg/dm³).

(1) HE K85-20.080

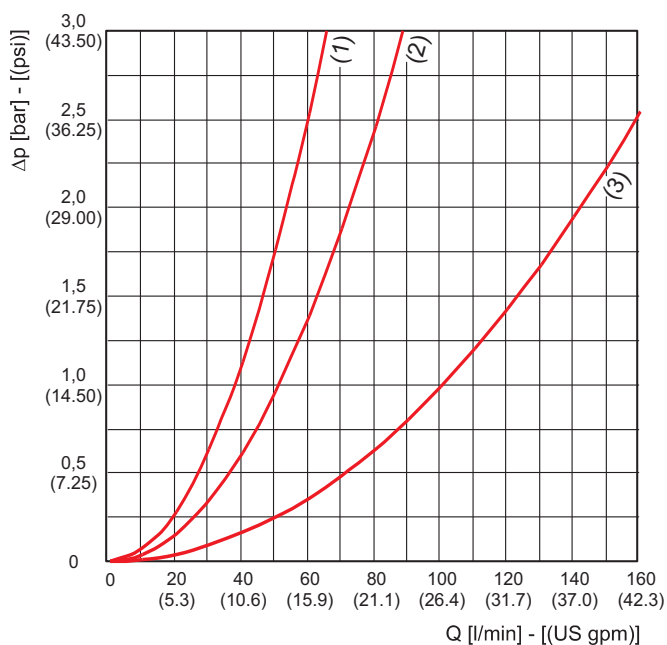
(2) HE K85-20.106

(3) HE K85-20.203

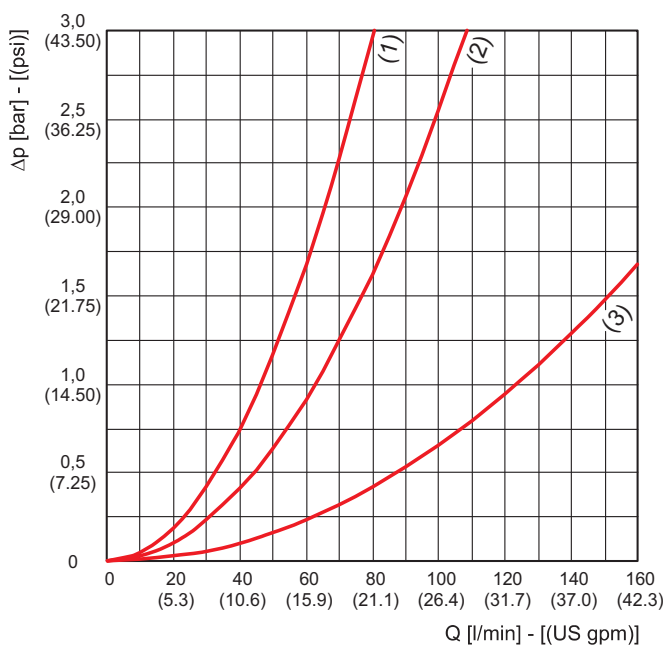
FG003



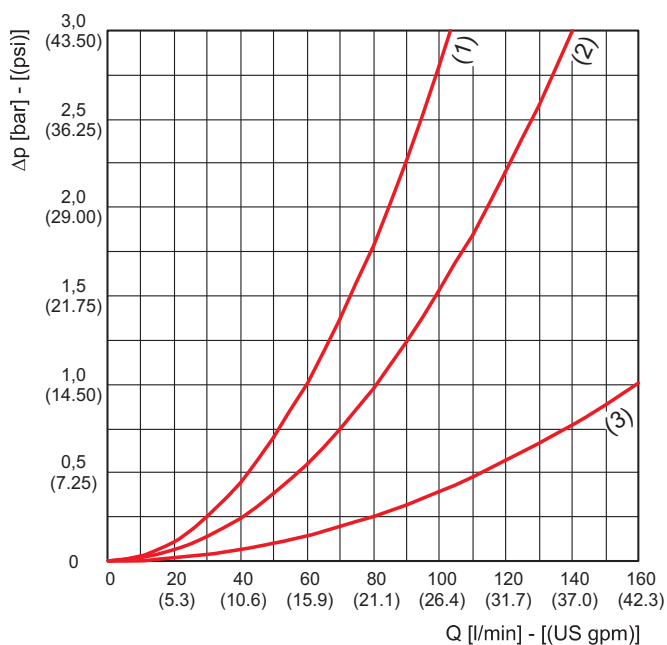
FG006



FG010



FG025



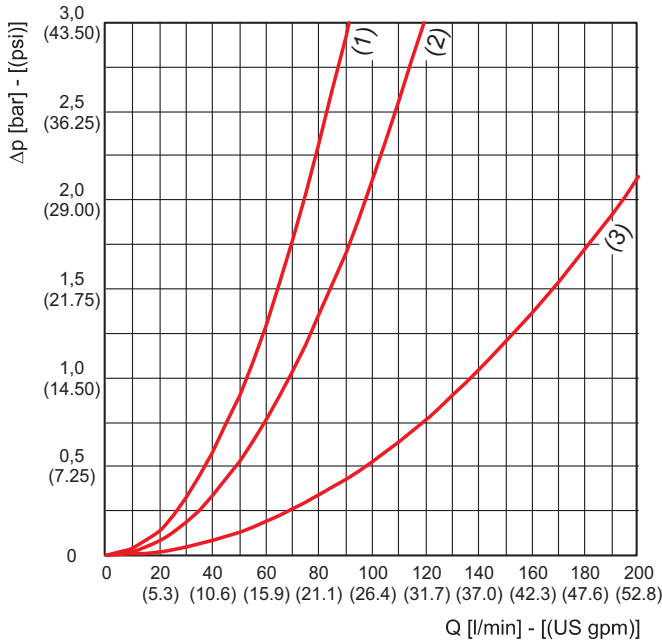
02/01.2012

PRESSURE DROP CURVES THROUGH THE ELEMENT HE K85-30

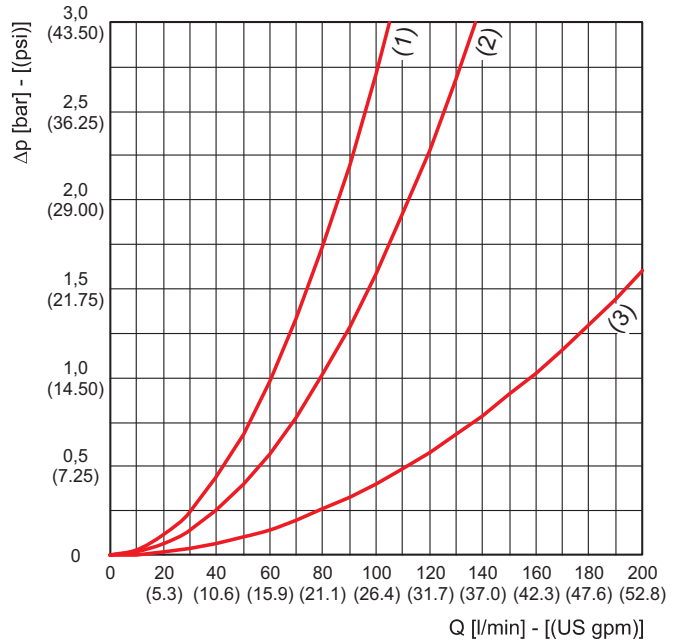
The curves are obtained in the following conditions:
 Mineral oil type SAE 10
 Kinematic viscosity 120 SSU (30 cSt)
 Density 7.29 lb/gal (0,856 kg/dm³).

- (1) HE K85-30.115
- (2) HE K85-30.223

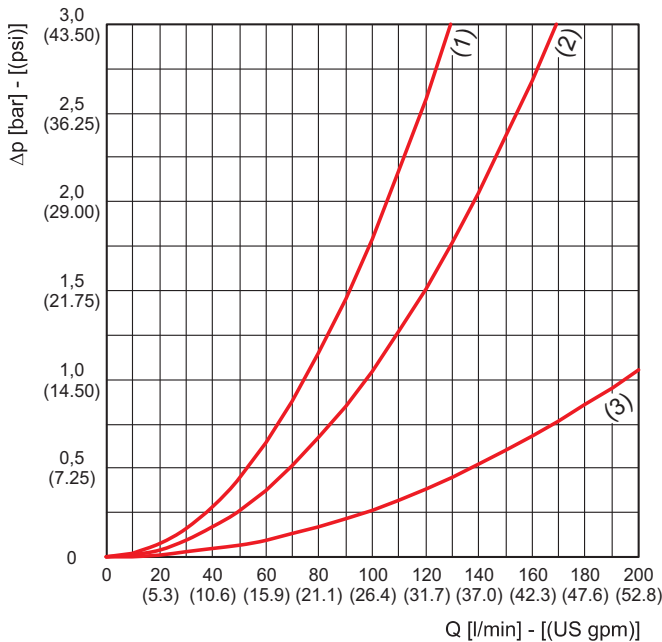
FG003



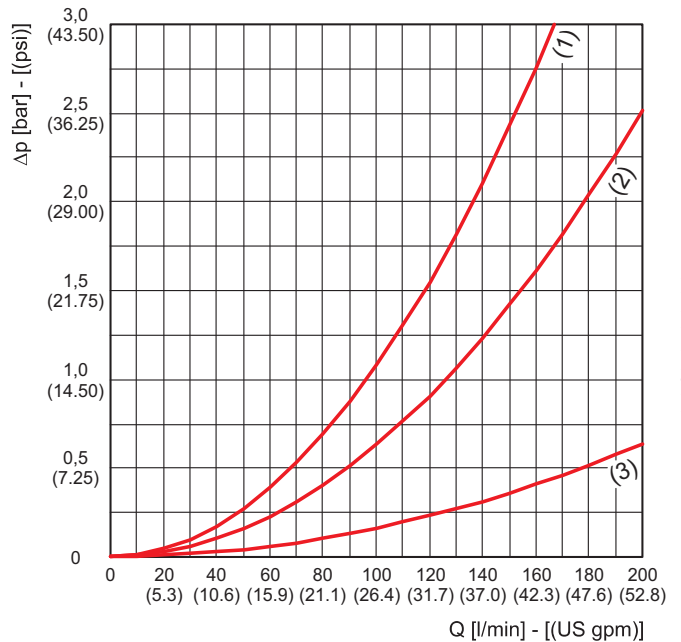
FG006



FG010



FG025



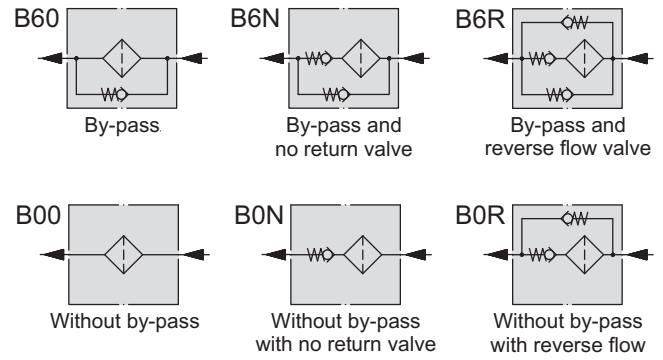
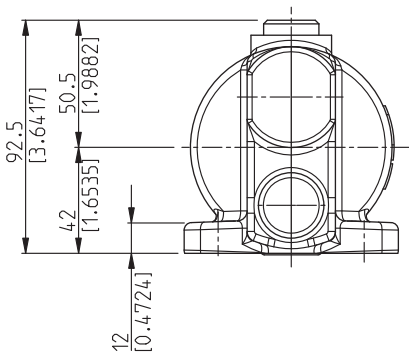
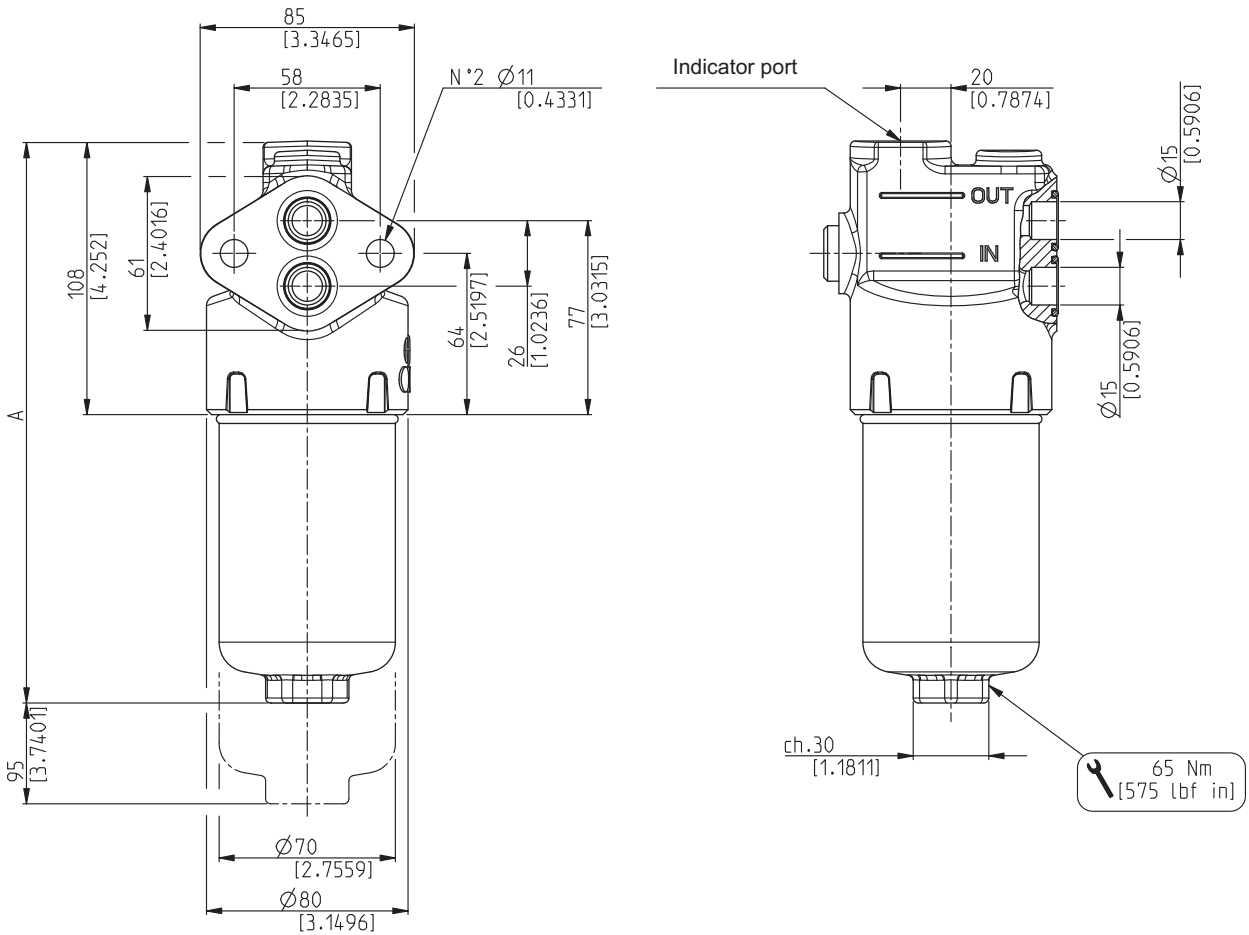
02/01.2012

FLOW

| Filter type | Degree of filtration | | | |
|----------------------|---|---------------|---------------|---------------|
| | FG003 | FG006 | FG010 | FG025 |
| | Flow $\Delta p = 11 \text{ psi (0,75 bar)}$ US gpm (l/min) | | | |
| HF 735-20.080 | 6.6 (25) | 7.9 (30) | 9.2 (35) | 11.9 (45) |
| HF 735-20.106 | 7.9 (30) | 10.6 (40) | 11.9 (45) | 15.9 (60) |
| HF 735-20.203 | 13.2 (50) | 14.5 (55) | 15.9 (60) | 21.1 (80) |
| HF 735-30.115 | 15.9 (60) | 18.4 (70) | 22.4 (85) | 29.1 (110) |
| HF 735-30.223 | 27.7 (105) | 31.7 (120) | 35.7 (135) | 39.6 (150) |

02/01.2012

HF735-20 DIMENSIONS

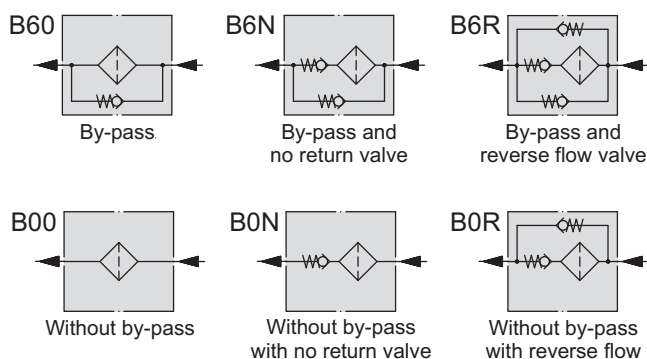
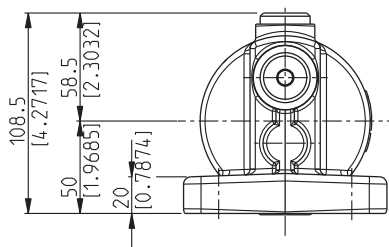
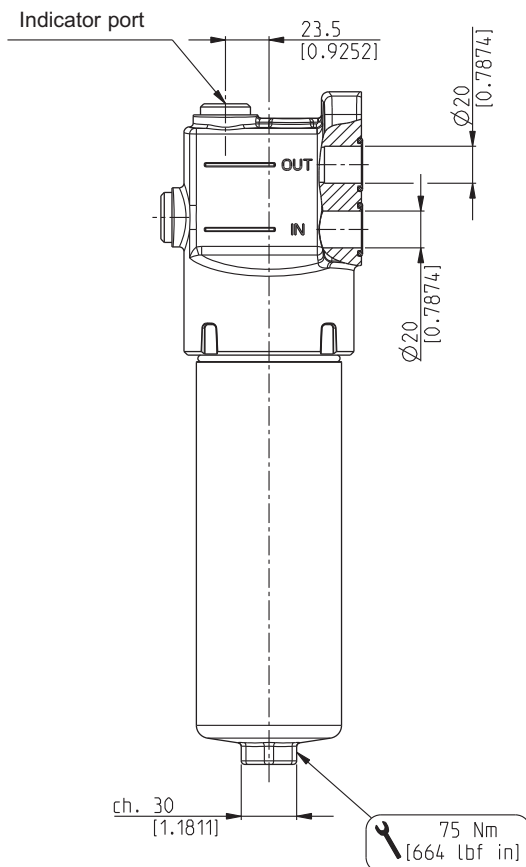
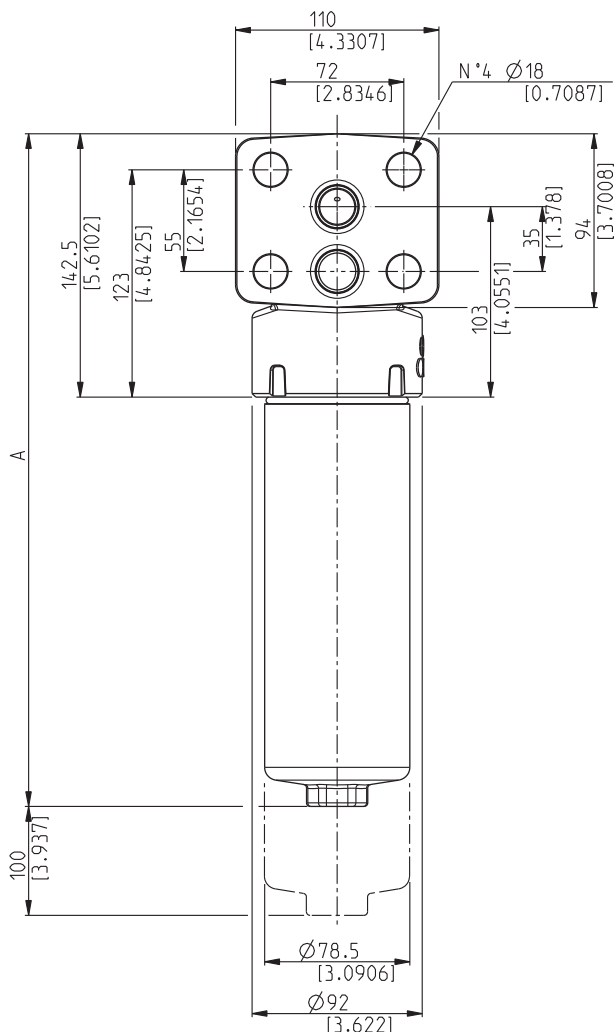


ICAT_022_001_HF735

02/01.2012

| Filter type | Weight | | A |
|----------------------|----------------|--|------------------|
| | kg (lbs) | | mm (in) |
| HF 735-20.080 | 3,7 (8.15) | | 197 (7.7558) |
| HF 735-20.106 | 4,1 (9.03) | | 223 (8.7795) |
| HF 735-20.203 | 5,6 (12.34) | | 320 (12.5983) |

HF 735-30 DIMENSIONS

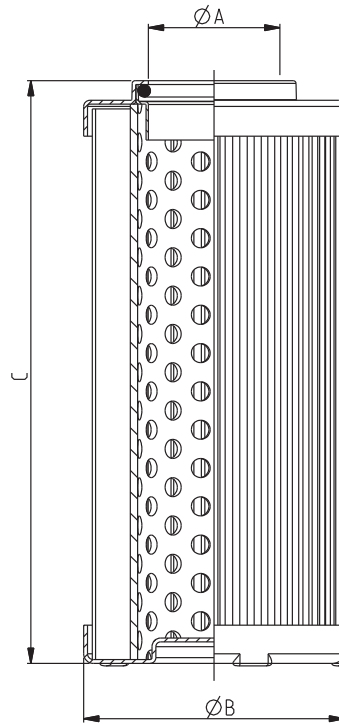


02/01.2012

ICAT_022_002_HF735

| Filter type | Weight | | A |
|----------------------|----------------|--|------------------|
| | kg (lbs) | | mm (in) |
| HF 735-30.115 | 6,0 (13.22) | | 256 (10.0787) |
| HF 735-30.223 | 7,8 (17.20) | | 364 (14.3306) |

ELEMENTS DIMENSIONS FOR HF 735



ICAT_011_004_HF760

Filtering elements with Δp - collapse pressure of 3046 psi (210 bar) are also available (please consult our technical department).

Technical data for (MS) version elements are available on request.

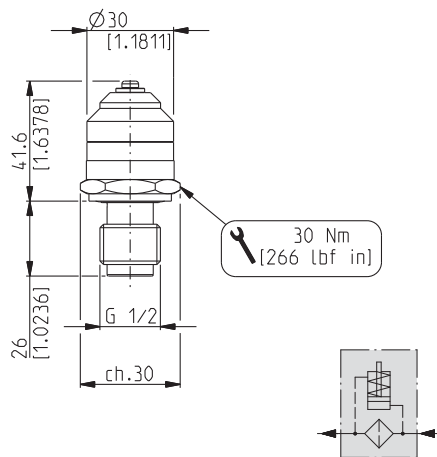
| Element type | Ø A | Ø B | C | Filtering surface (AS) | Dirt holding capacity (ISO MTD) | | | |
|----------------------|------------------|------------------|---------------------------------------|------------------------|---------------------------------------|------------------|------------------|------------------|
| | | | | | $\Delta p = 72.5 \text{ psi (5 bar)}$ | | | |
| | | | | | FG003 | FG006 | FG010 | FG025 |
| mm (in) | mm (in) | mm (in) | cm ² (in ²) | gr (lbs) | gr (lbs) | gr (lbs) | gr (lbs) | |
| HE K85-20.080 | | | 87 (3.4252) | 415 (64.3251) | 2,3 (0.0051) | 3,0 (0.0066) | 3,3 (0.0073) | 4,8 (0.0106) |
| HE K85-20.106 | 25,5 (1.0039) | 46,5 (1.8307) | 113 (4.4488) | 560 (86.8002) | 3,1 (0.0069) | 4,0 (0.0089) | 4,5 (0.0099) | 6,5 (0.0143) |
| HE K85-20.203 | | | 210 (8.2677) | 1103 (170.9653) | 6,2 (0.0136) | 7,9 (0.0175) | 8,8 (0.0195) | 12,8 (0.0282) |
| HE K85-30.115 | 27,5 (1.0827) | 54,5 (2.1457) | 122 (4.8031) | 908 (140.7403) | 5,1 (0.0112) | 6,5 (0.0144) | 7,3 (0.0160) | 10,5 (0.0232) |
| HE K85-30.223 | | | 230 (9.0551) | 1808 (280.2405) | 10,1 (0.0223) | 13,0 (0.0287) | 14,5 (0.0319) | 21,0 (0.0462) |

02/01.2012

INDICATORS

VISUAL DIFFERENTIAL

Code: **H**

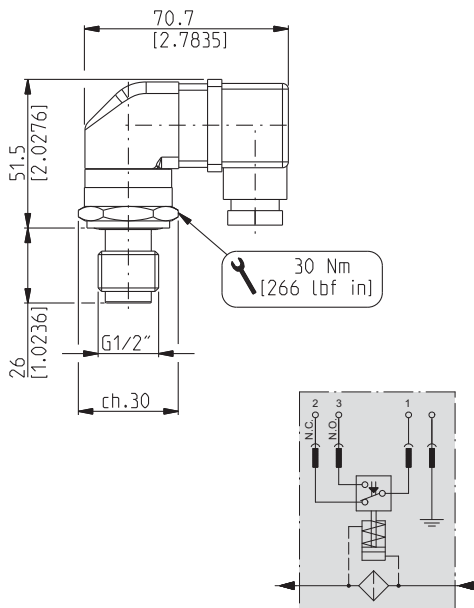


ICAT_011_006_HF760

| | |
|-------------------------------|---------------------------------|
| Differential pressure setting | 116 psi (8 bar) without by-pass |
| | 72.5 psi (5 bar) with by-pass |

VISUAL ELECTRICAL DIFFERENTIAL

Code: **U**



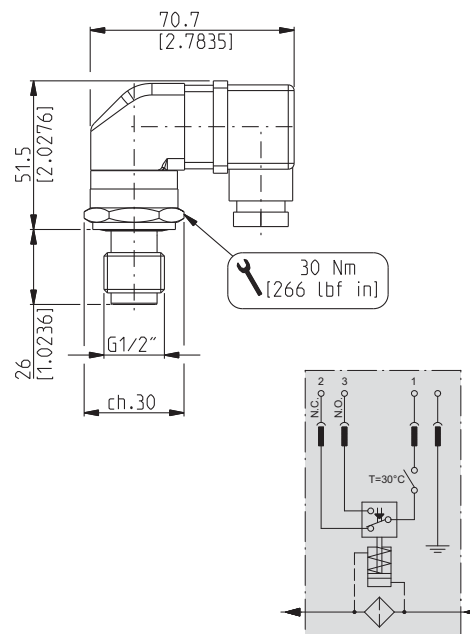
ICAT_011_007_HF760

| | |
|-------------------------------|---------------------------------|
| Differential pressure setting | 116 psi (8 bar) without by-pass |
| | 72.5 psi (5 bar) with by-pass |

| | |
|----------------------|-------------------|
| Max. working voltage | 250 VAC |
| | 30 VCC |
| Max. working current | 5 A (resistivity) |
| | 5 A (inductive) |
| Protection class | IP 65 |

VISUAL ELECTRICAL DIFFERENTIAL WITH THERMOSTAT

Code: **W**



ICAT_011_007_HF760

| | |
|-------------------------------|---------------------------------|
| Differential pressure setting | 116 psi (8 bar) without by-pass |
| | 72.5 psi (5 bar) with by-pass |
| Max. working voltage | 250 VAC |
| | 30 VCC |
| Max. working current | 5 A (resistivity) |
| | 5 A (inductive) |
| Protection class | IP 65 |
| Min. function temperature | 86 °F (30 °C) |

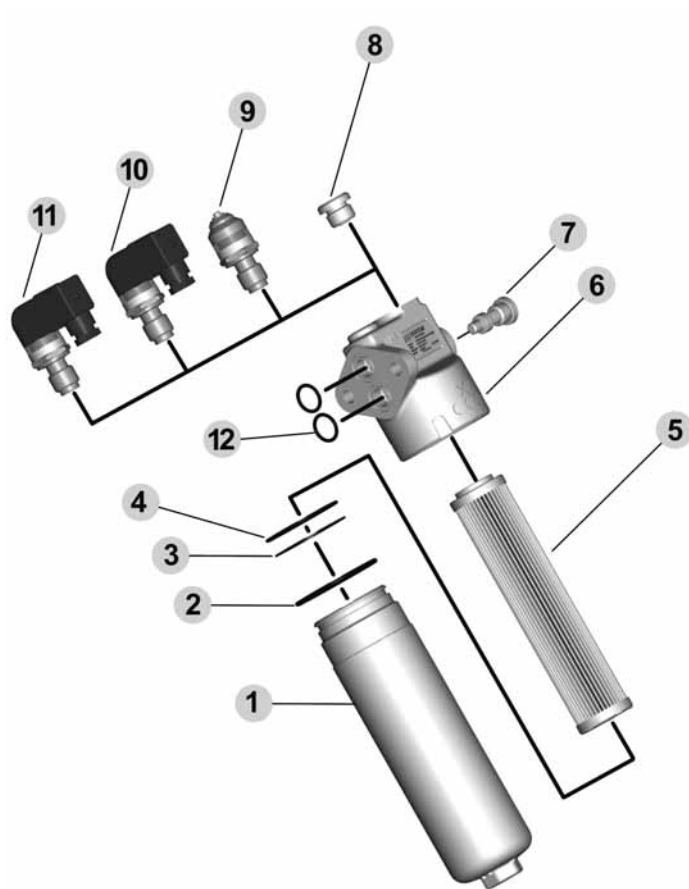
02/01.2012

ASSEMBLY AND REPLACING ELEMENT INSTRUCTIONS

ASSEMBLY

Once you have checked the integrity of the filter inside its package, proceed as follows:

- A Take the protection caps off the oil inlet and outlet.
- B Secure the filter to the attachment device via the flange's holes of the head (pos.6), checking the flow direction, which is determined by the IN and OUT incisions.
- C If the clogging indicator (pos.9 - 10 - 11) is immediately mounted in the filter, take the protection cap off and screw the indicator in the dedicated seat, then tighten to a tightening torque of 266 lbf in (30 Nm). If the indicator is electric, complete the required connections.
- D Start the circuit for a few minutes.
- E Make sure there are no leaks.



REPLACING ELEMENT

Once the working hours limit indicated in the maintenance instructions of the system is reached, or when the clogging indicators point out the limit pressure drop created inside the filter, the cartridge must be replaced, remembering that this procedure involves the drainage of hydraulic oil and therefore you need to prepare suitable containers to collect the oil.

Proceed as follows:

- A Stop the system in "Machine stopped" status.
- B Secure any shut-off valves on the hydraulic circuit.
- C Unscrew the filter container (pos.1).
- D Remove the clogged filtering cartridge (pos.5), making sure no residual particles have settled on the bottom (pos.1).
- E Make sure the O-ring (pos.2 - 4) and the anti-extrusion ring (pos.3) are not damaged, otherwise replace them and consequently position the new ones correctly.
- F Insert the new filtering cartridge, lubricating the sealing O-ring beforehand.
- G Screw the container tight (pos.1) making sure the threading is screwed correctly. Tighten to a tightening torque as indicated on pages 8, 9.
- H Start the machine for a few minutes.
- I Make sure there are no leaks.

| Pos. | Description |
|------|--|
| 1 | Filter bowl |
| 2 | External O-Ring |
| 3 | Anti-extrusion ring |
| 4 | Sealing O-Ring |
| 5 | Filtering element |
| 6 | Filter head |
| 7 | By-pass valve |
| 8 | Sealing cap |
| 9 | Visual differential indicator |
| 10 | Visual electrical differential indicator |
| 11 | Visual electrical differential indicator with thermostat |
| 12 | Inlet and outlet ports' O-rings. |

When ordering spare parts, always specify the reference number, the filter code and quantity.

Example: Spare part pos. 4 - HHP41879 - Qty 2

02/01.2012

HOW TO ORDER A COMPLETE FILTER

1

2

3

4

5

6

7

8

HF735 - 20.080 - AS - FG010 - LC - B6 - B - DD - G

| 1 | Filter type | CODE |
|---|---|-----------------|
| | See table page 8 and page 9 | HF735-.. |
| 2 | Filtering surface | CODE |
| | Standard | AS |
| | Multilayer | MS |
| 3 | Degree of filtration | CODE |
| | 3 [µm] Micro-fibre glass | FG003 |
| | 6 [µm] Micro-fibre glass | FG006 |
| | 10 [µm] Micro-fibre glass | FG010 |
| | 25 [µm] Micro-fibre glass | FG025 |
| 4 | Δp - Collapse pressure | CODE |
| | 2000 [psi]; (20 [bar]) | LC |
| | 2100 [psi]; (210 [bar]) | HC |
| 5 | Valves | CODE |
| | By-pass setting 87 [psi] (6 [bar]) | B60 |
| | By-pass setting 87 [psi] (6 [bar]) and no return valve | B6N |
| | By-pass setting 87 [psi] (6 [bar]) and reverse flow valve | B6R |
| | Without | B00 |
| | Without by-pass, with no return valve | B0N |
| | Without by-pass, with reverse flow | B0R |

| 6 | Seals | CODE |
|---|--|-----------|
| | Buna | B |
| | Viton | V |
| 7 | Indicator ports | CODE |
| | Without | XN |
| | Arranged | XA |
| | Arranged with plug | DD |
| 8 | Indicator | CODE |
| | Without | G |
| | Visual differential indicator | H |
| | Visual electrical differential indicator | U |
| | Visual electrical differential indicator with thermostat | W |

02/01.2012

Standard
 On request

HOW TO ORDER A REPLACEMENT ELEMENT

| | 1 | 2 | 3 | 4 | 5 | | | | | |
|---------------|---|---------------|---|-----------|---|--------------|---|-----------|---|----------|
| HE K85 | - | 20.080 | - | AS | - | FG010 | - | LC | - | B |

| 1 | Element type | CODE |
|---|-------------------|------------------|
| | See table pag. 10 | HE K85-.. |

| 2 | Filtering surface | CODE |
|---|-------------------|-----------|
| | Standard | AS |
| | Multilayer | MS |

| 3 | Degree of filtration | CODE |
|---|---------------------------|--------------|
| | 3 [µm] Micro-fibre glass | FG003 |
| | 6 [µm] Micro-fibre glass | FG006 |
| | 10 [µm] Micro-fibre glass | FG010 |
| | 25 [µm] Micro-fibre glass | FG025 |

| 4 | Δp collapse pressure | CODE |
|---|------------------------|-----------|
| | 290 [psi] (20 [bar]) | LC |
| | 3046 [psi] (210 [bar]) | HC |

| 5 | Seals | CODE |
|---|-------|----------|
| | Buna | B |
| | Viton | V |

Standard
 On request

Building & construction

Agriculture

Truck Market

Material Handling

Industrial



Full range of filters
for all hydraulic circuits

Suction filters

HF 410
HF 412
HF 431
HF 434
HF 437

Tank mounted return line filters

HF 502
HF 508
HF 547
HF 554
HF 570
HF 575
HF 578

In line filters Spin-On

HF 620
HF 625
HF 650

In line medium and high pressure filters

HF 690
HF 705
HF 710
HF 725
HF 735
HF 745
HF 760
HF 761

Accessories

Filler breathers
Air filters
Level and temperature gauges
Pressure gauges
Pressure/vacuum gauges
Clogging indicators



IKRON S.r.l.

Via Prampolini, 2 - 43044 Lemignano di Collecchio - Parma - Italy

Tel.: + 39 0521 304911 - Fax: + 39 0521 304900

Videoconferencing IP

www.ikron.it

E-mail: info@ikron.it



Replaces: HF 735 01 T A

HF 735 02 T A Edition: 02/01.2012

