



MIC5396/7/8/9

Low-Power Dual 300mA LDO

Revision 1.1

General Description

The MIC5396/7/8/9 is an advanced dual LDO ideal for powering general purpose portable devices. The MIC5396/7/8/9 provides two high-performance, independent 300mA LDOs in a single package. This makes it possible to improve system efficiency by providing two independent supply inputs that can be optimized for each individual LDO. The MIC5396/7/8/9 also features a wide output voltage range down to 1.0V.

Its full feature set and low dropout voltage make it ideal for battery-powered applications. The MIC5396/7/8/9 offers 2% accuracy, low dropout voltage (160mV at 300mA), and low ground current (typically 42 μ A per LDO at full load). The MIC5396/7/8/9 can also be put into a zero off mode current state, drawing virtually no current when disabled.

When the MIC5397/9 is disabled an internal resistive load is automatically applied to the output to discharge the output capacitor. In addition, the MIC5398/9 offers an internal enable pull-down resistor to ensure that the output is disabled when the enable is in tri-state mode. These LDO's also offer fast transient response and high PSRR while consuming a minimum operating current. The family is available in a tiny 8-pin, 1.2mm x 1.6mm leadless Extra Thin DFN package.

Data sheets and support documentation can be found on Micrel's web site at www.micrel.com.

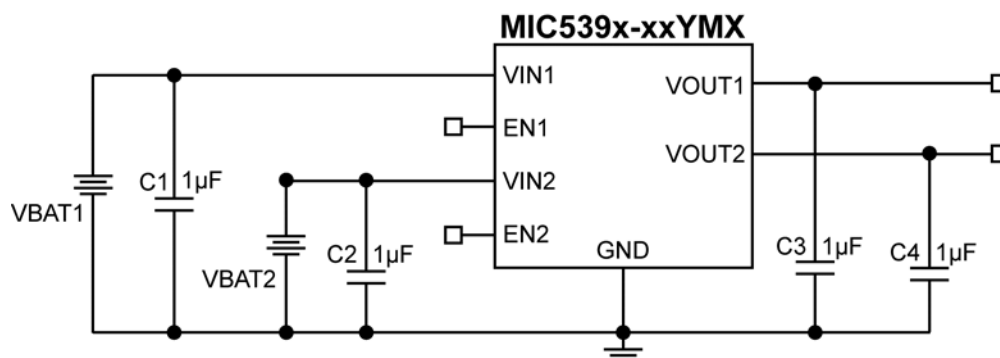
Features

- 2.5V to 5.5V input voltage range
- Independent power inputs
- Output voltage range from 1V to 3.3V
- Two 300mA outputs
- High output accuracy ($\pm 2\%$)
- Low quiescent current – 37 μ A typical/LDO
- Stable with 1 μ F ceramic output capacitors
- Low dropout voltage (160mV at 300mA)
- Independent enable pins
- Internal enable pull-down (MIC5398, MIC5399)
- Output discharge circuit (MIC5397, MIC5399)
- Thermal-shutdown protection
- Current-limit protection
- 8-pin 1.2mm x 1.6mm Extra Thin DFN package

Applications

- Smart phones
- DSC, GPS, PMP and PDAs
- Medical devices
- Portable electronics
- 5V systems

Typical Application



Absolute Maximum Ratings

Supply Voltage (V_{IN1}, V_{IN2})	-0.3V to +6V
Enable Voltage (V_{EN1}, V_{EN2})	-0.3V to V_{IN}
Power Dissipation (P_D)	Internally Limited
Lead Temperature (soldering, 10sec.)	260°C
Junction Temperature (T_J)	-40°C to +125°C
Storage Temperature (T_S)	-65°C to +150°C
ESD Rating	3kV

Operating Ratings

Supply Voltage (V_{IN1}, V_{IN2})	+2.5V to 5.5V
Enable Voltage (V_{EN1}, V_{EN2})	0V to V_{IN}
Junction Temperature (T_J)	-40°C to +125°C
Junction Thermal Resistance	
1.2mm x 1.6mm Extra Thin DFN (θ_{JA})	172.6°C/W

Ordering Information

Part Number ⁽¹⁾	Marking Code	V_{OUT1}/V_{OUT2} ⁽¹⁾	EN Discharge Circuit	Output Discharge Circuit	Junction Temperature Range
MIC5396-GMYMX	RJ	1.8V/2.8V	—	—	-40°C to +125°C
MIC5397-GPYMX	RZ	1.8V/3.0V	—	X	-40°C to +125°C
MIC5398-P4YMX	RP	3.0V/1.2V	X	—	-40°C to +125°C
MIC5399-SSYMX	RD	3.3V/3.3V	X	X	-40°C to +125°C
MIC5399-SMYMX	1R	3.3V/2.8V	X	X	-40°C to +125°C
MIC5399-SGYMX	RM	3.3V/1.8V	X	X	-40°C to +125°C
MIC5399-MMYMX	2R	2.8V/2.8V	X	X	-40°C to +125°C
MIC5399-GPYMX ⁽²⁾	3R	1.8V/3.0V	X	X	-40°C to +125°C
MIC5399-GMYMX	4R	1.8V/2.8V	X	X	-40°C to +125°C

Notes:

1. Other voltages are available. Contact Micrel for details.
2. Contact Micrel Marketing to order.

MICREL, INC. 2180 FORTUNE DRIVE SAN JOSE, CA 95131 USA
 TEL +1 (408) 944-0800 FAX +1 (408) 474-1000 WEB <http://www.micrel.com>

Micrel makes no representations or warranties with respect to the accuracy or completeness of the information furnished in this data sheet. This information is not intended as a warranty and Micrel does not assume responsibility for its use. Micrel reserves the right to change circuitry, specifications and descriptions at any time without notice. No license, whether express, implied, arising by estoppel or otherwise, to any intellectual property rights is granted by this document. Except as provided in Micrel's terms and conditions of sale for such products, Micrel assumes no liability whatsoever, and Micrel disclaims any express or implied warranty relating to the sale and/or use of Micrel products including liability or warranties relating to fitness for a particular purpose, merchantability, or infringement of any patent, copyright or other intellectual property right.

© 2012 Micrel, Incorporated.