

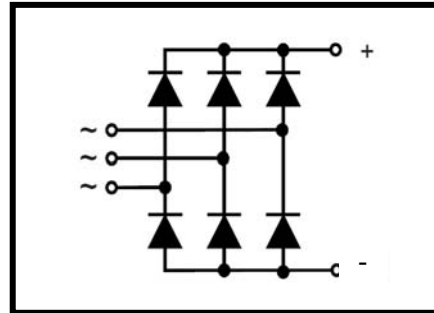
**Features**

- Package with screw terminals
- Isolation voltage 3000 V~
- Planar passivated chips
- Blocking voltage up to 1600 V
- Low forward voltage drop
- UL registered E72873



**Applications**

- Supplies for DC power equipment
- Input rectifiers for PWM inverter
- Battery DC power supplies
- Field supply for DC motors



**Advantages**

- Easy to mount with two screws
- Space and weight savings
- Improved temperature and power cycling

**ABSOLUTE MAXIMUM RATINGS**

T<sub>C</sub>=25°C unless otherwise specified

Symbol	Test Condition	Value	Unit
V <sub>R</sub> RM		1600	V
I <sub>d</sub> (AV)	T <sub>C</sub> =100 , module	100	A
I <sub>FSM</sub>	T <sub>J</sub> =45 ; t=10ms (50Hz),sine	1000	A
	V <sub>R</sub> =0 t=8.3ms(60Hz),sine	1080	A
	T <sub>J</sub> =150 ; t=10ms (50Hz),sine	800	A
	V <sub>R</sub> =0 t=8.3ms(60Hz),sine	860	A
I <sup>2</sup> t	T <sub>J</sub> =45 ; t=10ms (50Hz),sine	5000	A <sup>2</sup> s
	V <sub>R</sub> =0 t=8.3ms(60Hz),sine	5830	A <sup>2</sup> s
	T <sub>J</sub> =150 ; t=10ms (50Hz),sine	3200	A <sup>2</sup> s
	V <sub>R</sub> =0 t=8.3ms(60Hz),sine	3700	A <sup>2</sup> s
T <sub>J</sub> ,T <sub>STG</sub>		-40 to +150	
T <sub>JM</sub>		150	
V <sub>ISOL</sub>	50/60Hz RMS t=1 min	2500	V~
	I <sub>ISOL</sub> ≤1mA t=1 s	3000	V~
Md	Mounting torque(M5)	5±15%	N·m
	Terminal connection torque(M5)	5±15%	N·m
Weight	typical	130	g

