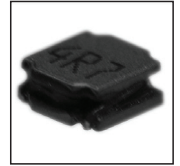


FEATURES

- SHIELDED POWER INDUCTOR
- HIGH CURRENT (UP TO 3.6 AMPS)
- 30% LOWER DCR THAN NPIS_LS SERIES
- ROBUST CONSTRUCTION
- TAPED AND REELED FOR AUTOMATIC INSERTION
- FOR USE IN DC/DC CONVERTERS

RoHS Compliant
includes all homogeneous materials

*See Part Number System for Details

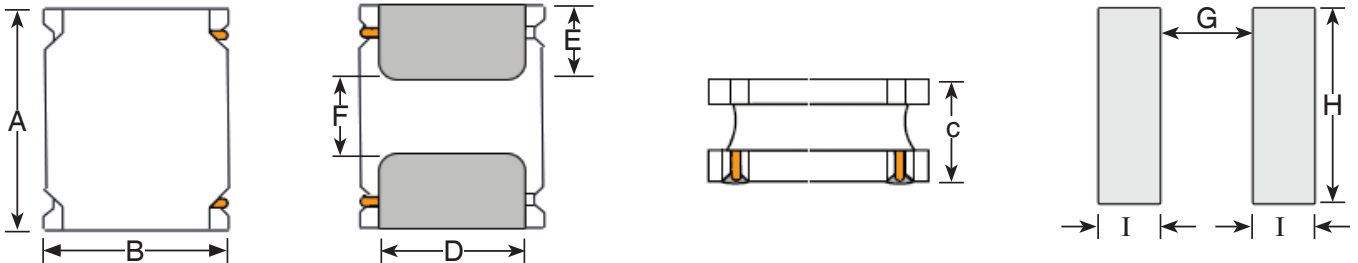


CHARACTERISTICS

Case Size	NPIS21LP
Inductance Range	0.47 ~ 4.7μH
Ambient Operating Temperature Range	-25°C ~ +125°C (including self-heating)
Temperature Rise at Irms	Maximum +40°C Temperature Rise
Inductance Change at Isat	Maximum -30% Inductance Drop From Initial Measured Value
Inductance Tolerance	±20% (M)
Resistance to Solder Heat	+260°C for 10 seconds

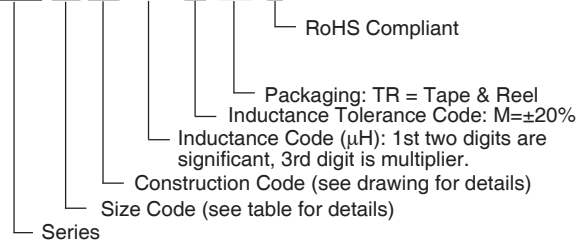
DIMENSIONS (mm)

Series	A	B	C	D	E	F	G	I	H
NPIS21LP	2.5 ± 0.1	2.0 ± 0.1	1.2 Max.	1.5 ± 0.2	0.80 ± 0.2	0.80 ± 0.2	0.8	0.85	2.0



PART NUMBER SYSTEM

NPIS 21 LP 4R7 M TR E

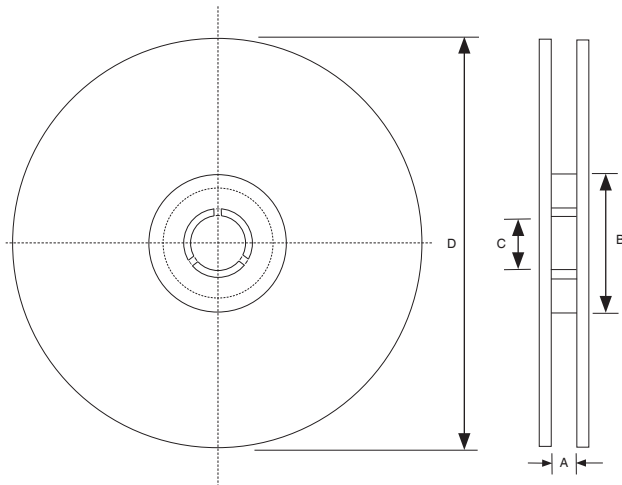
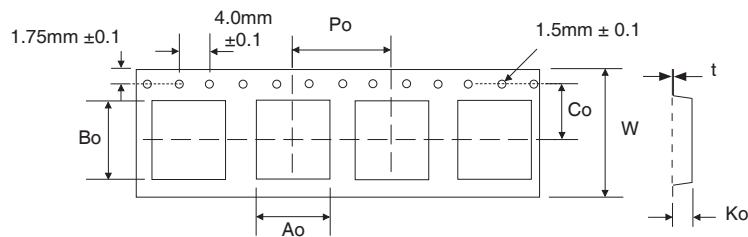


NPIS21LP Size

Series	Standard Values - Case Size 21 (2.0 x 2.5 x 1.2mm)							
	Inductance (μH)	Tolerance	Test Conditions	Max. DCR (Ω)	Isat (Amps)		Irms (Amps)	
					Max.	Typ.	Max.	Typ.
NPIS21LPR47MTRF	0.47	±20%	100KHz, 1V	0.03	3.3	3.6	3.3	3.6
NPIS21LP1R0MTRF	1.0	±20%	100KHz, 1V	0.038	2.4	2.6	2.4	2.6
NPIS21LP1R5MTRF	1.5	±20%	100KHz, 1V	0.078	2.1	2.3	1.95	2.15
NPIS21LP2R2MTRF	2.2	±20%	100KHz, 1V	0.096	1.8	1.95	1.8	2
NPIS21LP3R3MTRF	3.3	±20%	100KHz, 1V	0.168	1.6	1.75	1.3	1.4
NPIS21LP4R7MTRF	4.7	±20%	100KHz, 1V	0.234	1.4	1.5	1.1	1.2

Maximum +40°C temperature rise at Irms. Maximum -30% inductance drop from initial measured value at Isat.

Case Size	CARRIER TAPING DIMENSIONS (mm) AND REEL QUANTITY							
	Ao	Bo	Ko	Co	W	Po	t	Quantity
NPIS21LP	2.2 ± 0.1	2.6 ± 0.1	1.4 ± 0.1	3.5 ± 0.1	8.0 ± 0.3	4.0 ± 0.1	0.3 ± 0.03	2,000



Tape Width	REEL DIMENSIONS (mm)			
	A(mm)	B(mm)	C(mm)	D(mm)
NPIS21LP	9.0 ± 1.5	58 ± 2.0	13.5 ± 0.2	178 ± 2.0

