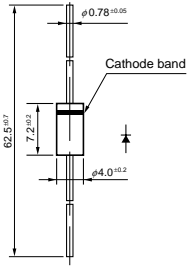
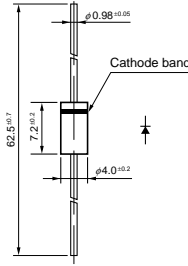


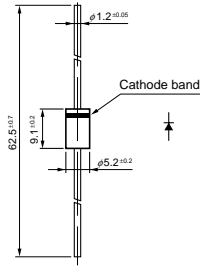
• No. 13 Axial ($\phi 4.0/\phi 0.78$)



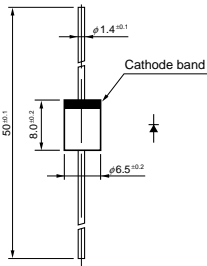
• No. 14 Axial ($\phi 4.0/\phi 0.98$)



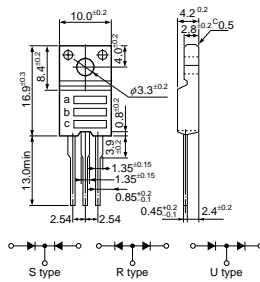
• No. 15 Axial ($\phi 5.2/\phi 1.2$)



• No. 16 Axial ($\phi 6.5/\phi 1.4$)

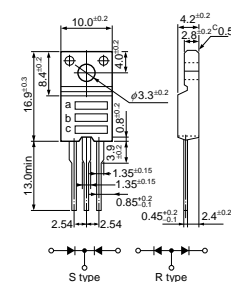


• No. 17 TO-220F (Two Elements)



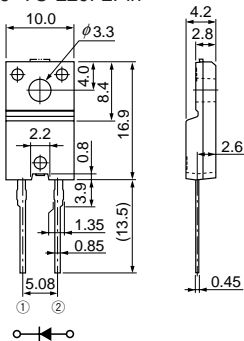
a: Part Number
b: Polarity
c: Lot No.

• No. 18 TO-220F (Center-tap)

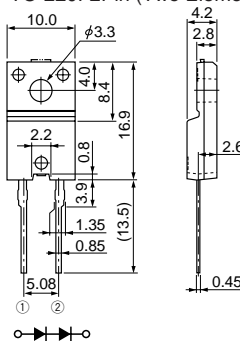


a: Part Number
b: Polarity
c: Lot No.

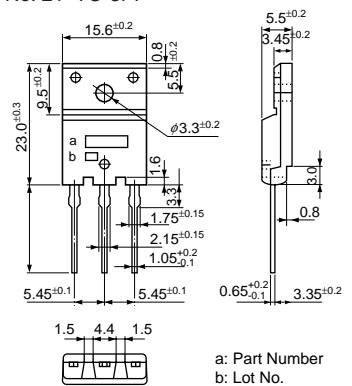
• No. 19 TO-220F2Pin



• No. 20 TO-220F2Pin (Two Elements)

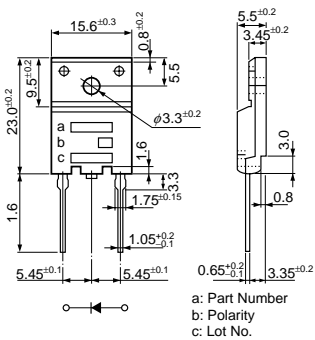


• No. 21 TO-3PF



a: Part Number
b: Lot No.

• No. 22 TO-3PF2Pin



a: Part Number
b: Polarity
c: Lot No.

• No. 23 RBV-60

