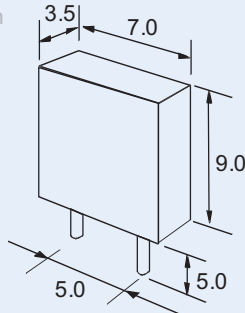


### ZTB SERIES

450kHz to 509kHz

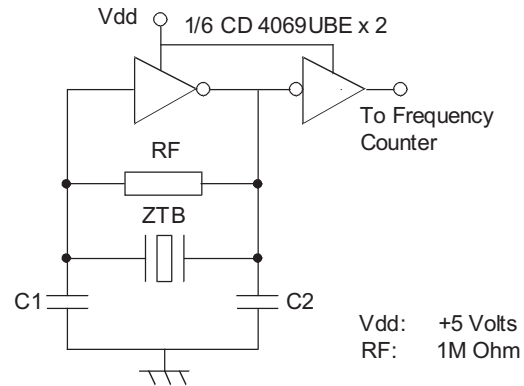
#### ZTB Series 450kHz to 509kHz

www.datasheet4u.com



Outline and Dimensions

#### Test Circuit



#### Electrical characteristics

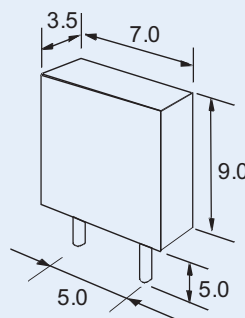
Part Number	Frequency Range (kHz)	Frequency Accuracy at 25°C	Temperature Stability -20° to +80°C	Ageing Stability 10 years	Resonance Resistance (Ω) max.	C <sub>1</sub> (pF)	C <sub>2</sub> (pF)
ZTB ---E	450 to 509	±2.0kHz	±0.3%	±0.5%	20	100pF	100pF

(For ---- insert frequency)

### ZTB SERIES

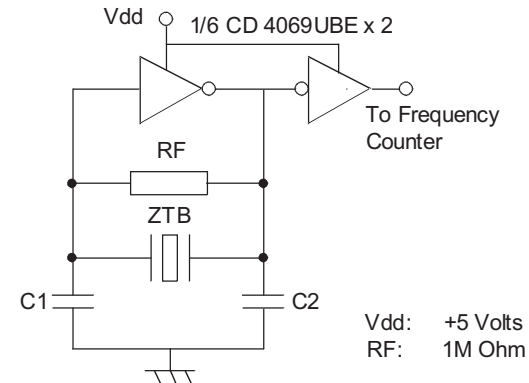
510kHz to 699kHz

#### ZTB Series 510kHz to 699kHz



Outline and Dimensions

#### Test Circuit



#### Electrical characteristics

Part Number	Frequency Range (kHz)	Frequency Accuracy at 25°C	Temperature Stability -20° to +80°C	Ageing Stability 10 years	Resonance Resistance (Ω) max.	C <sub>1</sub> (pF)	C <sub>2</sub> (pF)
ZTB ---P	510 to 699	±2.0kHz	±0.3%	±0.5%	35	100pF	100pF

(For ---- insert frequency)