



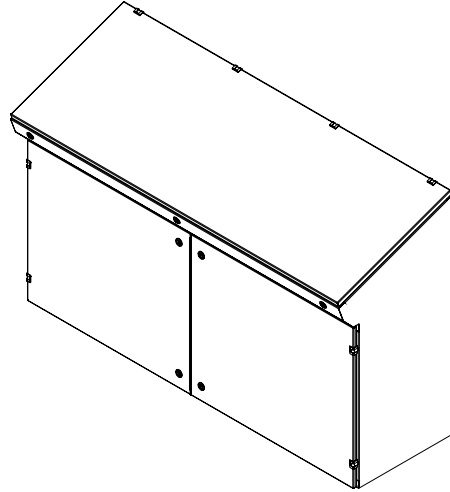
**PART No. 2CSC2060**

for more information visit

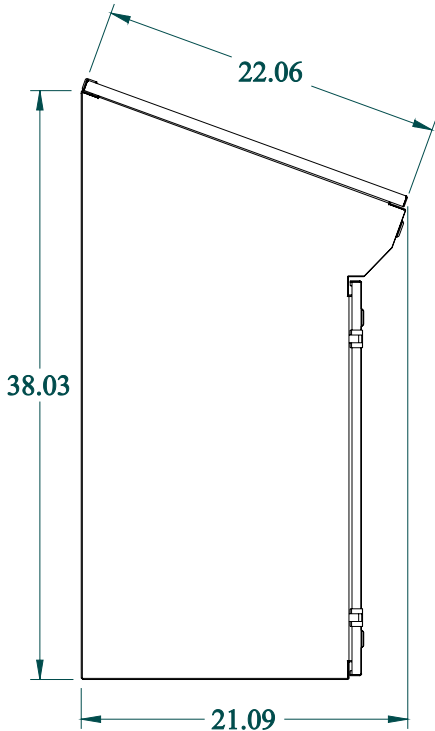
[www.hammfg.com](http://www.hammfg.com)

Data subject to change without notice

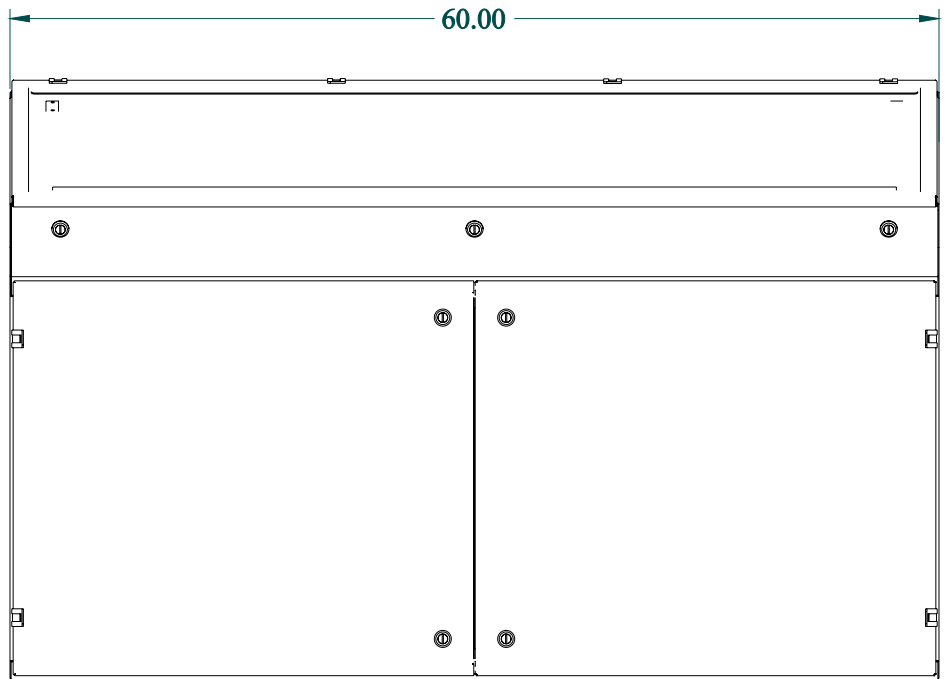
Isometric drawing Not to Scale



ISOMETRIC VIEW



LEFT SIDE VIEW



FRONT VIEW