



## Features:

- Microminiature relay  
Dimension : 15.6 × 10.6 × 11.8 (mm).
- High sensitivity.
- Surge strength between coil and contact: 2500V.
- Contact Form : 1 form C.

## Part Number Explanation:

**HRS1K**



Model

**H**



Coil Sensitivity

-

**S**



Enclosure

-

**DC5V**



Coil Voltage



Dielectric Strength

- Coil Sensitivity** : H - High sensitive (200mW).
- Enclosure** : S - Plastic sealed type.
- Coil Voltage** : DC5V, DC12V and DC24V.
- Dielectric Strength** : Blank - 1,500V ac, 1 min between coil and contacts.

**Remark:** Contact rating: 1A, 3A.

## Specifications

Contact Data		
Contact Material		AuAg overlay, Ag alloy
Contact Rating		1A 120V ac / 24V dc 3A 120V ac / 24V dc
Contact Resistance		Maximum 50mΩ (6V dc 0.1A)
Load	Maximum Switching Voltage	220V ac / 30V dc
	Maximum Switching Current	3A
	Maximum Switching Power	360VA, 90W
	Minimum Switching Load	5V dc, 10mA
Life	Electrical	100,000 operations (1A 120V ac / 24V dc) 50,000 operations (3A 120V ac / 24V dc)
	Mechanical	10,000,000 operations

## Specifications

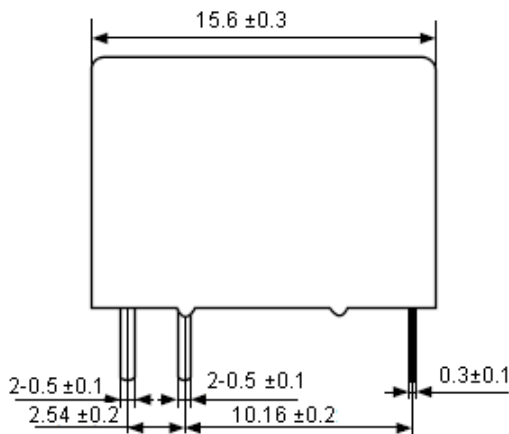
Coil Data		
Nominal Coil Power		200mW, 360mW
General Data		
Insulation Resistance		Minimum 100MΩ 500V dc
Dielectric Strength	Between Open Contacts	750V ac, 1 min
	Between Coil and Contacts	Standard: 1,500V ac, 1 min E : 2,500V ac, 1 min
Operate Time		Maximum 5ms
Release Time		
Operating temperature		-25°C to +70°C
Humidity		35 to 95%RH, +40°C
Shock Resistance	Endurance	1,000m/s <sup>2</sup>
	Misoperation	100m/s <sup>2</sup>
Vibration Resistance	Endurance	10 to 55Hz, 1.5mm double amplitude
	Misoperation	

## Coil Data

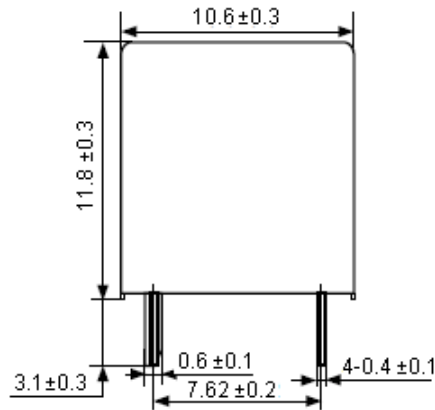
Ambient Temperature: 23°C

Nominal Voltage V dc	Coil Resistance Ω ±10%	Operate Voltage ≤ V dc	Release Voltage ≥ V dc	Coil Power mW	Part Number
5	125	3.75	0.5	200	HRS1KH-S-DC5V
12	720	9	1.2		HRS1KH-S-DC12V
24	2880	18	2.4		HRS1KH-S-DC24V

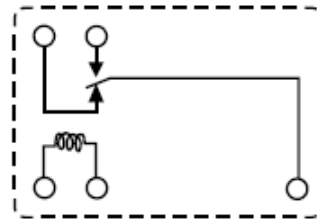
## Outline, Wiring Diagram, Mounting Hole Layout (Unit: mm)



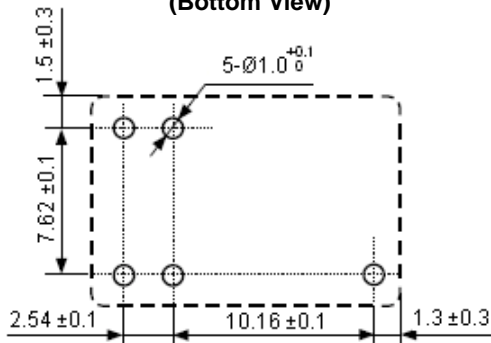
Outline



Wiring Diagram (Bottom View)



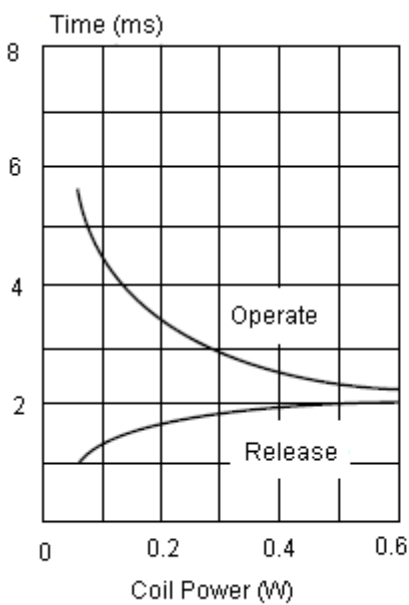
Mounting Hole Layout (Bottom View)



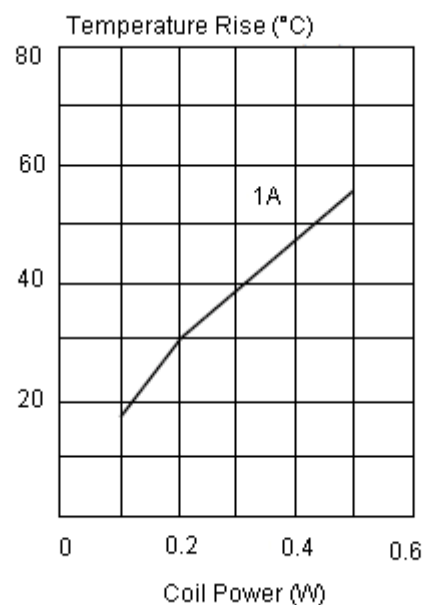
Dimensions : Millimetres

## Characteristic Chart Data

### Timing



### Coil Temperature Rise



### Operate Range

