

LD200011A/B Series – 20 inch Large Assembly 7 Segment LED Display



ATTENTION
OBSERVE PRECAUTIONS
FOR HANDLING
ELECTROSTATIC
DISCHARGE
SENSITIVE
DEVICES



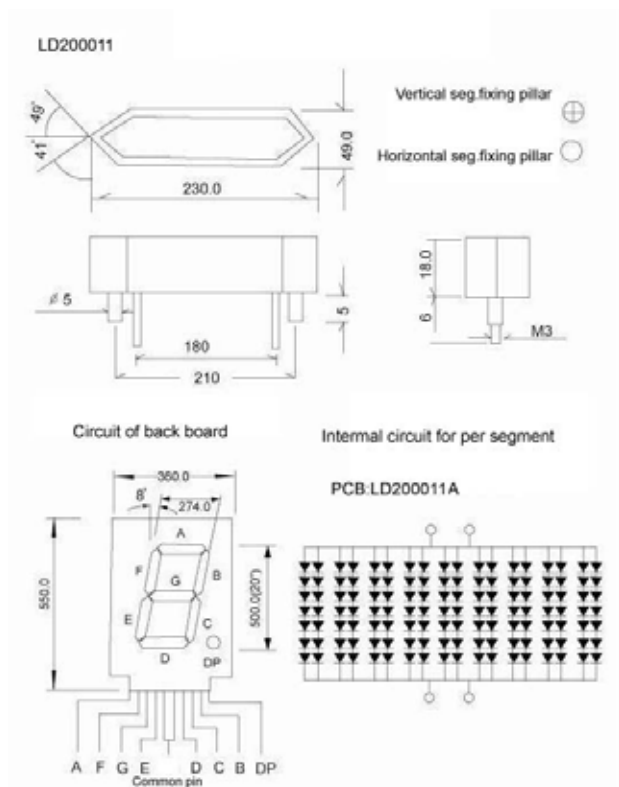
Features

- 500 mm (20 inch) digit high
- Excellent digit appearance
- Wide viewing angle
- Range of emitted colors
- I.C. compatible
- Low power consumption
- White segment
- RoHS compliant

Available options

- Alternative emitting luminosity:
Standard or high brightness version
- Alternative emitted color
- Alternative segment color
- Alternative font
- Both CA and CC versions are available
- Cropped terminal pins

Package Dimensions & Internal Circuit Diagram



Notes:

1. All dimensions are in millimeters(inches), Tolerance is $\pm 0.25\text{mm}(0.01\text{inch})$ unless other wise noted.
2. Specifications are subject to change without notice.
3. The gap between the reflector and PCB shall not exceed 0.25mm.

Selection Guide (Ta = 25 °C)

Single Digit 7 Segment LED Display, Digit Height: 500.00 mm(20.00 inch), External Dimensions: 360.00x550.00 mm (LxWmm)

Part No.		Chip			Iv@IF=20mA	
Common Cathode	Common Anode	Material	Color	WLD	One Seg	
					Min.	Typ.
LD200011AR	LD200011BR	GaAlAs	Super Red	640	756	945
LD200011AD	LD200011BD	GaAlAs	Hi-Red	640	1701	2363
LD200011AO	LD200011BO	GaAsP	Orange	625	661.5	850.5
LD200011AY	LD200011BY	GaAsP	Yellow	588	756	945
LD200011AG	LD200011BG	GaP	Green	568	661.5	850.5
LD200011AUR	LD200011BUR	AlGaInP	Ultra Red	640	2835	4253
LD200011AUO	LD200011BUO	AlGaInP	Ultra Orange	625	4252.5	5670
LD200011AUA	LD200011BUA	AlGaInP	Ultra Amber	65	2835	4253
LD200011AUY	LD200011BUY	AlGaInP	Ultra Yellow	595	2835	4253
LD200011AUG	LD200011BUG	AlGaInP	Ultra Green	573	5670	7560
LD200011APG	LD200011BPG	InGaN	Pure Green	525	11340	28350
LD200011AUB	LD200011BUB	InGaN	Ultra Blue	470	2835	4253
LD200011AUW	LD200011BUW	InGaN	Ultra White	\	9450	11340
Unit:	\	\	\	nm	mcd	mcd

Electrical Characteristics & Absolute Maximum Ratings

Color		Electrical optical Characteristics ^[1]			Absolute Maximum Ratings ^[1]		
		Forward Voltage@ IF=20mA		Reverse Current VR=5V	Power Dissipation	DC Forward Current	Peak Forward Current ^[2]
		Typ.	Max.				
Super Red	Per Seg.	12.6	15.4	120	7560	450	1800
Hi-Red	Per Seg.	12.6	15.4	120	7560	450	1800
Orange	Per Seg.	14.7	17.5	120	10080	540	1800
Yellow	Per Seg.	14.7	17.5	120	10080	540	1800
Green	Per Seg.	15.4	17.5	120	10080	540	1800
Ultra Red	Per Seg.	13.3	18.2	120	7560	540	1800
Ultra Orange	Per Seg.	14	18.2	120	8190	540	1800
Ultra Amber	Per Seg.	14	18.2	120	8190	540	1800
Ultra Yellow	Per Seg.	14	18.2	120	8190	540	1800
Ultra Green	Per Seg.	14.7	18.2	120	9450	540	1800
Pure Green	Per Seg.	24.5	28	120	13860	540	1800
Ultra Blue	Per Seg.	24.5	28	120	15120	540	1800
Ultra White	Per Seg.	24.5	28	120	15120	540	1800
Unit:	\	V	V	uA	mW	mA	mA

Notes:

1. At Ta = 25 °C.
2. Peak forward current at 1/10 Duty Cycle, 0.1ms Pulse.