



SANYO Semiconductors

DATA SHEET

An ON Semiconductor Company

LV5207LP — Bi-CMOS IC For Cellular Phone LED Driver

Overview

The LV5207LP is an LED driver IC for cellular phones. It incorporates 7 LED drivers (tricolor and main) and a charge pump circuit. The LV5207LP allows each LED current value to be regulated by a serial bus and has a function to synchronize a ringtone melody.

Functions

- Charge pump
×1/×1.5 mode switchover
The mode switches (step-up only and no step down) when the LED pin voltage goes down. When VBAT is 4.6V and above, this IC becomes only ×1 mode.
- LED drivers
Main LCD backlight LED×4 (LED current 5-bit changeover 0.8mA to 19.4mA)
Tricolor LED driver×1 (LED current 5-bit changeover 0.8mA to 19.4mA)

Specifications

Maximum Ratings at Ta = 25°C

Parameter	Symbol	Conditions	Ratings	Unit
Maximum supply voltage	V _{CC} max		4.5	V
Maximum pin voltage	V _I max	LED driver and charge pump blocks	7	V
Allowable power dissipation	P _d max	Mounted on a board*	0.8	W
Operating temperature	T _{opr}		-30 to +75	°C
Storage temperature	T _{stg}		-40 to +125	°C

* Designated board : 40mm×50mm×0.8mm, glass epoxy 4-layer board (2S2P)

■ Any and all SANYO Semiconductor Co.,Ltd. products described or contained herein are, with regard to "standard application", intended for the use as general electronics equipment (home appliances, AV equipment, communication device, office equipment, industrial equipment etc.). The products mentioned herein shall not be intended for use for any "special application" (medical equipment whose purpose is to sustain life, aerospace instrument, nuclear control device, burning appliances, transportation machine, traffic signal system, safety equipment etc.) that shall require extremely high level of reliability and can directly threaten human lives in case of failure or malfunction of the product or may cause harm to human bodies, nor shall they grant any guarantee thereof. If you should intend to use our products for applications outside the standard applications of our customer who is considering such use and/or outside the scope of our intended standard applications, please consult with us prior to the intended use. If there is no consultation or inquiry before the intended use, our customer shall be solely responsible for the use.

■ Specifications of any and all SANYO Semiconductor Co.,Ltd. products described or contained herein stipulate the performance, characteristics, and functions of the described products in the independent state, and are not guarantees of the performance, characteristics, and functions of the described products as mounted in the customer's products or equipment. To verify symptoms and states that cannot be evaluated in an independent device, the customer should always evaluate and test devices mounted in the customer's products or equipment.

SANYO Semiconductor Co., Ltd.

<http://www.sanyosemi.com/en/network/>

LV5207LP

Recommended Operating Conditions at Ta = 25°C

Parameter	Symbol	Conditions	Ratings	Unit
Supply voltage 1	V _{BAT}		3.0 to 4.5	V
Supply voltage 2	V _{DD}		1.7 to V _{BAT}	V

Electrical Characteristics Ta = 25°C, V_{BAT} = 3.7V

Parameter	Symbol	Conditions	Ratings			Unit
			min	typ	max	
Current drain	I _{CC1}	STBY : L (standby mode)		0	5	μA
	I _{CC2}	STBY : H (sleep mode)		0.3	5	μA
	I _{CC3}	Charge pump opetates.		4	7	mA
Charge pump block						
Output voltage	V _{O1}	I _O = 100mA, ×1		3.4		V
	V _{O2}	I _O = 100mA, ×1.5		4.7		V
Load current		×1.5 mode	120			mA
Charge pump switchover voltage						
Threshold voltage 1	VD1	LED pin voltage, when main current is set to 20mA	0.32	0.35	0.38	V
Charge pump clock block						
Clock frequency	Fosc		400	500	600	kHz
LED driver block						
Minimum output current 1	I _{MIN1}	Tricolor LED driver serial data = #00	0.2	0.8	1.7	mA
Minimum output current 3	I _{MIN3}	Main LED driver serial data = #00	0.2	0.8	1.7	mA
Maximum output current 1	I _{MAX1}	Tricolor LED driver serial data = #FF	18.4	19.4	20.4	mA
Maximum output current 3	I _{MAX3}	Main LED driver serial data = #FF	18.4	19.4	20.4	mA
Nonlinearity error	LE	*1	-2		2	LSB
Differential linearity error	DLE	*2	-2		2	LSB
Maximum output current 1	ΔIL1	Tricolor LED driver maximum current setting V _O = 4 to 0.35V	-10			%
Maximum output current 3	ΔIL3	Main LED driver maximum current setting V _O = 2 to 0.35V	-10			%
Leakage current 1	IL1	Tricolor LED driver and LED driver : OFF V _O = 5V			1	μA
Leakage current 3	IL3	Main LED driver and LED driver : OFF V _O = 5V			1	μA
Control circuit block						
H level 1	V _{INH1}	Input H level serial, SCTL	V _{DD} ×0.8			V
L level 1	V _{INL1}	Input L level serial, SCTL	0		V _{DD} ×0.2	V
H level 2	V _{INH2}	Input H level reset	1.5			V
L level 2	V _{INL2}	Input L level reset	0		0.3	V

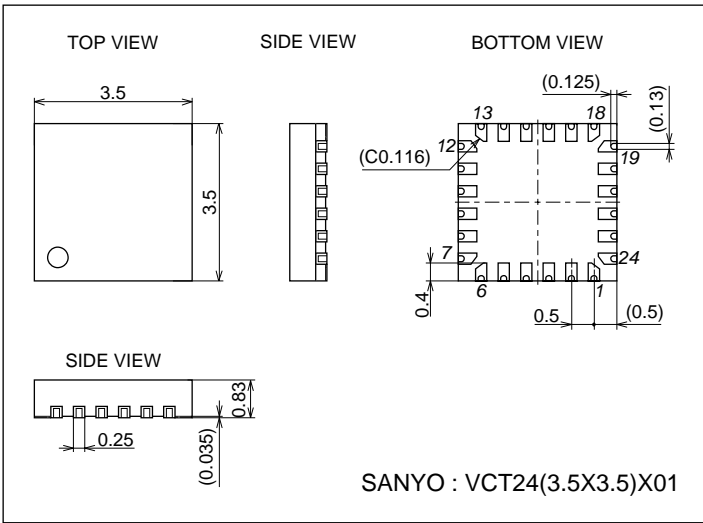
*1 Nonlinearity error : Error from the ideal current value.

*2 Differential linearity error : Error from the ideal increment when increase by a 1 bit is made.

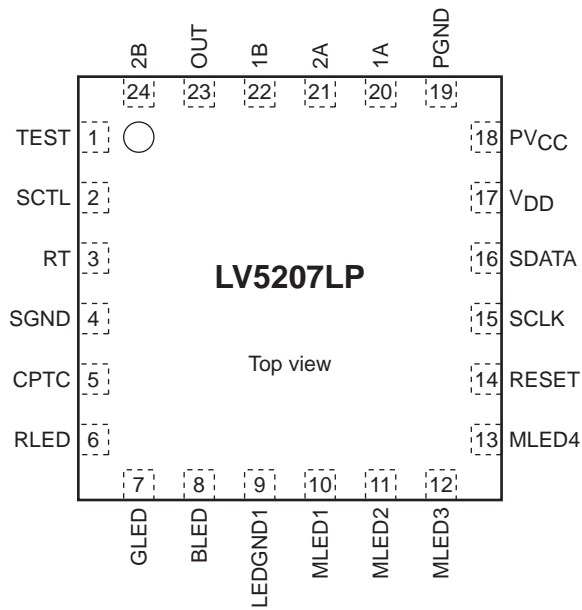
LV5207LP

Package Dimensions

unit : mm (typ)
3322

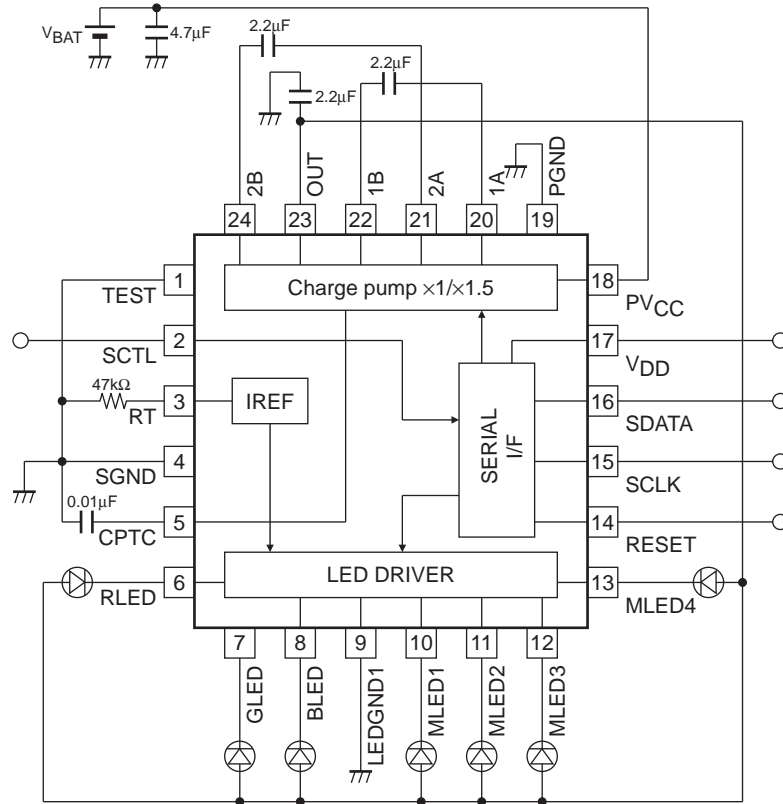


Pin Assignment



LV5207LP

Block Diagram and Sample Application Circuit



* The value of the external capacitor connected to the charge pump circuit can be reduced depending on the load current. The minimum rating of the Load current doesn't increase even if 2.2µF or more capacitor is used.

Pin Functions

Pin No.	Pin name	Pin Description	Equivalent Circuit
1	TEST	Test signal input pin. Be sure to connect the pin to GND.	
2	SCTL	External tricolor LED control pin. When serial RSW, GSW, and BSW are set to ON, setting the application voltage H causes tricolor LED to go ON. When the application voltage set to L, tricolor LED goes OFF. Note that if the serial setting STLEN is set to ignore SCTL, tricolor LED goes ON regardless of the state of SCTL.	
3	RT	Reference current setting resistor connection pin. By connecting the external resistor between this pin and GND, the reference current is generated. The pin voltage is about 1V. Change of this current value enables change of the oscillation frequency and LED driver current value.	
4	SGND	GND pin for circuits other than the power circuit	

Continued on next page.

LV5207LP

Continued from preceding page.

Pin No.	Pin name	Pin Description	Equivalent Circuit
5	CPTC	Charge pump soft start capacitor connection pin. By connecting the capacitor, charge pump can be soft started. The pin is held high in STBY mode or when the charge pump output is short-circuited.	
6 7 8	RLED GLED BLED	Tricolor LED driver pins. Feedback is applied so that the current flow through the output transistor becomes equal to the set current value. Each driver output current value can be adjusted independently with the 0.6 step from about 0.8mA to 19.4mA through serial setting. These pins are turned ON only when the SCTL pin is set high or the serial SCTEN pin is set to ignore SCTL. These pins function as the charge pump switchover detection pin from ×1 mode to ×1.5 mode. Pin voltage of about 0.5V or lower switches the charge pump to ×1.5 mode.	
9	LEDGND1	GND pin dedicated to LED driver.	
10 11 12 13	MLED1 MLED2 MLED3 MLED4	Main LCD backlight LED driver pin. Feedback is applied so that the current flow through the output transistor becomes equal to the set current value. The driver current value can be adjusted with 0.6mA step from about 0.8mA to 19.4mA through serial setting. These pins function as the charge pump switchover detection pin from ×1 mode to ×1.5 mode. When MAX current is set, the pin voltage of about 0.35V or lower switches the charge pump to ×1.5 mode. If three MLED are used, MLED4 can be independently set ON/OFF with serial setting. Note that MLED4 :ON is active only with MSW:ON. Connect MLED4 pin to VBAT when it is not to be used.	
14	RESET	Reset signal input pin. The pin is in the reset state when it is set to L.	
15	SCLK	Serial clock input pin	
16	SDATA	Serial data signal input pin.	
17	V _{DD}	Power pin for SCLK, SDATA, and SCTL pin input circuits.	
18	PV _{CC}	Power pin	
19	PGND	GND pin for charge pump circuit	

Continued on next page.

LV5207LP

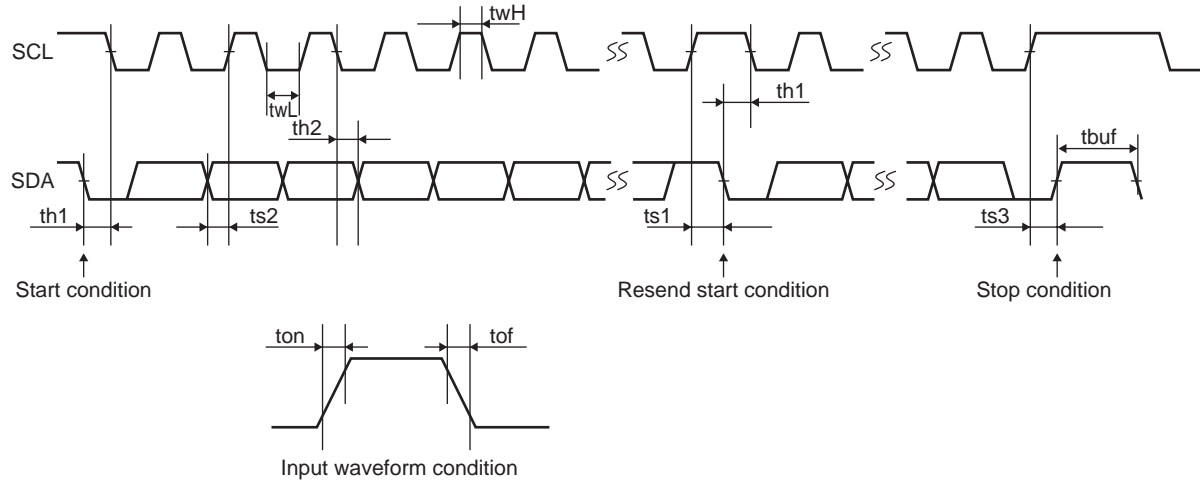
Continued from preceding page.

Pin No.	Pin name	Pin Description	Equivalent Circuit
20 21	1A 2A	Charge pump clock driver pin.	
22	1B	Charge pump charge transfer driver pin.	
23	OUT	Charge pump output pin.	
24	2B	Charge pump charge transfer driver pin.	

LV5207LP

Serial Bus Communication Specifications

I²C serial transfer timing conditions



Standard mode

Parameter	symbol	Conditions	min	typ	max	unit
SCL clock frequency	fscl	SCL clock frequency	0		100	kHz
Data setup time	ts1	SCL setup time relative to falling edge of SDA	4.7			μs
	ts2	SDA setup time relative to rising edge of SCL	250			ns
	ts3	SCL setup time relative to rising edge of SDA	4.0			μs
Data hold time	th1	SCL hold time relative to rising edge of SDA	4.0			μs
	th2	SDA hold time relative to falling edge of SCL	0			μs
Pulse width	twL	SCL pulse width for the L period	4.7			μs
	twH	SCL pulse width for the H period	4.0			μs
Input waveform conditions	ton	SCL, SDA (input) rise time			1000	ns
	tof	SCL, SDA (input) fall time			300	ns
Bus free time	tbuf	Time between STOP and START conditions	4.7			μs

High-speed mode

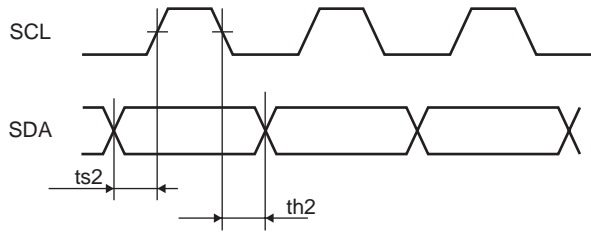
Parameter	Symbol	Conditions	min	typ	max	unit
SCL clock frequency	fscl	SCL clock frequency	0		400	kHz
Data setup time	ts1	SCL setup time relative to falling edge of SDA	0.6			μs
	ts2	SDA setup time relative to rising edge of SCL	100			ns
	ts3	SCL setup time relative to rising edge of SDA	0.6			μs
Data hold time	th1	SCL hold time relative to rising edge of SDA	0.6			μs
	th2	SDA hold time relative to falling edge of SCL	0			μs
Pulse width	twL	SCL pulse width for the L period	1.3			μs
	twH	SCL pulse width for the H period	0.6			μs
Input waveform conditions	ton	SCL, SDA (input) rise time			300	ns
	tof	SCL, SDA (input) fall time			300	ns
Bus free time	tbuf	Time between STOP and START conditions	1.3			μs

LV5207LP

I²C bus transmission method

Start and stop conditions

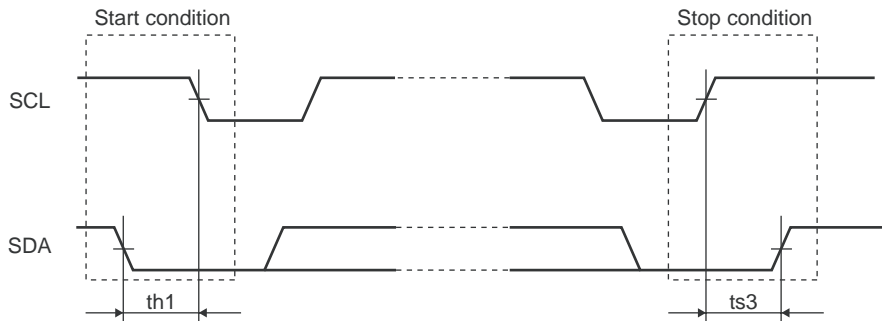
In the I²C bus, SDA must basically be kept in the constant state while SCL is "H" as shown below during data transfer.



When data transfer is not made, both SCL and SDA are in the "H" state.

When SCL = SDA = "H", change of SDA from "H" to "L" enables the start conditions to start access.

When SCL is "H", change of SDA from "L" to "H" enables the stop conditions to stop access.



Data transfer and acknowledgement response

After establishment of start conditions, data transfer is made by one byte (8 bits).

Data transfer enables continuous transfer of any number of bytes.

Each time the 8-bit data is transferred, the ACK signal is sent from the receive side to the send side.

The ACK signal is issued when SDA on the send side is released and SDA on the receive side is set "L" immediately after fall of the clock pulse at the SCL eighth bit of data transfer to "L".

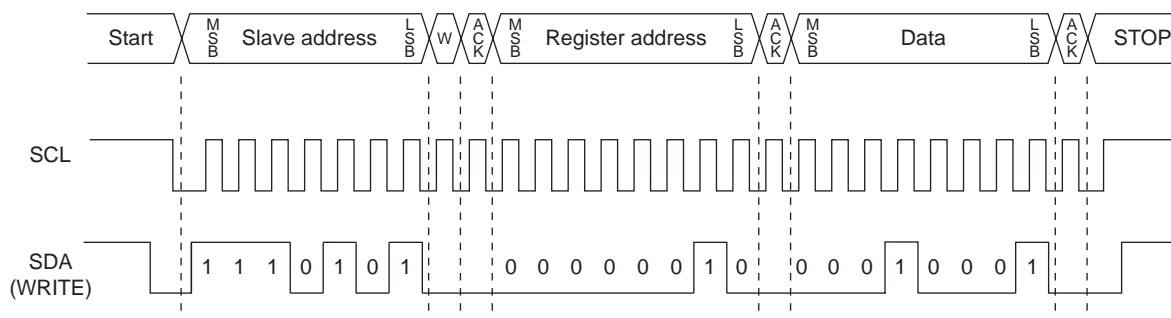
When the next 1-byte transfer is left in the receive state after transmission of the ACK signal from the receive side, the receive side releases SDA at fall of the SCL ninth clock.

In the I²C bus, there is no CE signal. Instead, 7-bit slave address is assigned to each device and the first byte of transfer is assigned to the command (R/W) representing the 7-bit slave address and subsequent transfer direction.

Note that only WRITE is valid in LV5207LP.

The 7-bit address is transferred sequentially from MSB and the eight bit is "L" representing WRITE.

In LV5207LP, the slave address is specified as (1110101).



LV5207LP

Serial modes setting

Address								Data							
0	0	0	0	0	0	0	0	D7	D6	D5	D4	D3	D2	D1	0

D1	BSW	BLED output setting
0	OFF	* Default
1	ON	

D2	GSW	GLED output setting
0	OFF	* Default
1	ON	

D3	RSW	RLED output setting
0	OFF	* Default
1	ON	

D4	CKSW	Charge pump clock switchover
0	OFF	* Default
1	ON	Use divided frequency (1/2)

D5	C10	Charge pump force ×1 mode
0	OFF	* Default
1	ON	

D6	SCTEN	SCTL signal enable
0	SCTL enabled	* Default
1	SCTL disabled	

D7	CPSW	Charge pump ON/OFF setting
0	OFF	* Default
1	ON	

LV5207LP

Address								Data							
0	0	0	0	0	0	0	1	D7	D6	0	D4	D3	D2	D1	D0

D4	D3	D2	D1	D0	Current value (mA)
0	0	0	0	0	0.8
0	0	0	0	1	1.4
0	0	0	1	0	2.0
0	0	0	1	1	2.6
0	0	1	0	0	3.2
0	0	1	0	1	3.8
0	0	1	1	0	4.4
0	0	1	1	1	5.0
0	1	0	0	0	5.6
0	1	0	0	1	6.2
0	1	0	1	0	6.8
0	1	0	1	1	7.4
0	1	1	0	0	8.0
0	1	1	0	1	8.6
0	1	1	1	0	9.2
0	1	1	1	1	9.8
1	0	0	0	0	10.4
1	0	0	0	1	11.0
1	0	0	1	0	11.6
1	0	0	1	1	12.2
1	0	1	0	0	12.8
1	0	1	0	1	13.4
1	0	1	1	0	14.0
1	0	1	1	1	14.6
1	1	0	0	0	15.2
1	1	0	0	1	15.8
1	1	0	1	0	16.4
1	1	0	1	1	17.0
1	1	1	0	0	17.6
1	1	1	0	1	18.2
1	1	1	1	0	18.8
1	1	1	1	1	19.4

Main LED current value setting
* Default

D6	MLED4
0	OFF
1	ON

MAIN LED4 output setting
* Default

D7	MSW
0	OFF
1	ON

MAIN LED output setting
* Default

LV5207LP

Address								Data							
0	0	0	0	0	0	1	0	0	0	0	D4	D3	D2	D1	D0

D4	D3	D2	D1	D0	Current Value (mA)
0	0	0	0	0	0.8
0	0	0	0	1	1.4
0	0	0	1	0	2.0
0	0	0	1	1	2.6
0	0	1	0	0	3.2
0	0	1	0	1	3.8
0	0	1	1	0	4.4
0	0	1	1	1	5.0
0	1	0	0	0	5.6
0	1	0	0	1	6.2
0	1	0	1	0	6.8
0	1	0	1	1	7.4
0	1	1	0	0	8.0
0	1	1	0	1	8.6
0	1	1	1	0	9.2
0	1	1	1	1	9.8
1	0	0	0	0	10.4
1	0	0	0	1	11.0
1	0	0	1	0	11.6
1	0	0	1	1	12.2
1	0	1	0	0	12.8
1	0	1	0	1	13.4
1	0	1	1	0	14.0
1	0	1	1	1	14.6
1	1	0	0	0	15.2
1	1	0	0	1	15.8
1	1	0	1	0	16.4
1	1	0	1	1	17.0
1	1	1	0	0	17.6
1	1	1	0	1	18.2
1	1	1	1	0	18.8
1	1	1	1	1	19.4

RLED current value setting
* Default

LV5207LP

Address								Data							
0	0	0	0	0	0	1	1	0	0	0	D4	D3	D2	D1	D0

D4	D3	D2	D1	D0	Current Value (mA)
0	0	0	0	0	0.8
0	0	0	0	1	1.4
0	0	0	1	0	2.0
0	0	0	1	1	2.6
0	0	1	0	0	3.2
0	0	1	0	1	3.8
0	0	1	1	0	4.4
0	0	1	1	1	5.0
0	1	0	0	0	5.6
0	1	0	0	1	6.2
0	1	0	1	0	6.8
0	1	0	1	1	7.4
0	1	1	0	0	8.0
0	1	1	0	1	8.6
0	1	1	1	0	9.2
0	1	1	1	1	9.8
1	0	0	0	0	10.4
1	0	0	0	1	11.0
1	0	0	1	0	11.6
1	0	0	1	1	12.2
1	0	1	0	0	12.8
1	0	1	0	1	13.4
1	0	1	1	0	14.0
1	0	1	1	1	14.6
1	1	0	0	0	15.2
1	1	0	0	1	15.8
1	1	0	1	0	16.4
1	1	0	1	1	17.0
1	1	1	0	0	17.6
1	1	1	0	1	18.2
1	1	1	1	0	18.8
1	1	1	1	1	19.4

GLED current value setting
* Default

LV5207LP

Address								Data							
0	0	0	0	0	1	0	0	0	0	0	D4	D3	D2	D1	D0

D4	D3	D2	D1	D0	Current Value (mA)
0	0	0	0	0	0.8
0	0	0	0	1	1.4
0	0	0	1	0	2.0
0	0	0	1	1	2.6
0	0	1	0	0	3.2
0	0	1	0	1	3.8
0	0	1	1	0	4.4
0	0	1	1	1	5.0
0	1	0	0	0	5.6
0	1	0	0	1	6.2
0	1	0	1	0	6.8
0	1	0	1	1	7.4
0	1	1	0	0	8.0
0	1	1	0	1	8.6
0	1	1	1	0	9.2
0	1	1	1	1	9.8
1	0	0	0	0	10.4
1	0	0	0	1	11.0
1	0	0	1	0	11.6
1	0	0	1	1	12.2
1	0	1	0	0	12.8
1	0	1	0	1	13.4
1	0	1	1	0	14.0
1	0	1	1	1	14.6
1	1	0	0	0	15.2
1	1	0	0	1	15.8
1	1	0	1	0	16.4
1	1	0	1	1	17.0
1	1	1	0	0	17.6
1	1	1	0	1	18.2
1	1	1	1	0	18.8
1	1	1	1	1	19.4

BLED current value setting
* Default

LV5207LP

Serial map

Address								Data							
A7	A6	A5	A4	A3	A2	A1	A0	D7	D6	D5	D4	D3	D2	D1	D0
0	0	0	0	0	0	0	0	CPSW	SCTEN	C10	CKSW	RSW	GSW	BSW	x
								0	0	0	0	0	0	0	0
0	0	0	0	0	0	0	1	MSW	MLED4	x	MC [4 : 0]				
								0	0	0	0	0	0	0	0
0	0	0	0	0	0	1	0	x	x	x	RC [4 : 0]				
								0	0	0	0	0	0	0	0
0	0	0	0	0	0	1	1	x	x	x	GC [4 : 0]				
								0	0	0	0	0	0	0	0
0	0	0	0	0	1	0	0	x	x	x	BC [4 : 0]				
								0	0	0	0	0	0	0	0

Table upper stage : Register name Table lower stage : Default value

- SANYO Semiconductor Co.,Ltd. assumes no responsibility for equipment failures that result from using products at values that exceed, even momentarily, rated values (such as maximum ratings, operating condition ranges, or other parameters) listed in products specifications of any and all SANYO Semiconductor Co.,Ltd. products described or contained herein.
- SANYO Semiconductor Co.,Ltd. strives to supply high-quality high-reliability products, however, any and all semiconductor products fail or malfunction with some probability. It is possible that these probabilistic failures or malfunction could give rise to accidents or events that could endanger human lives, trouble that could give rise to smoke or fire, or accidents that could cause damage to other property. When designing equipment, adopt safety measures so that these kinds of accidents or events cannot occur. Such measures include but are not limited to protective circuits and error prevention circuits for safe design, redundant design, and structural design.
- In the event that any or all SANYO Semiconductor Co.,Ltd. products described or contained herein are controlled under any of applicable local export control laws and regulations, such products may require the export license from the authorities concerned in accordance with the above law.
- No part of this publication may be reproduced or transmitted in any form or by any means, electronic or mechanical, including photocopying and recording, or any information storage or retrieval system, or otherwise, without the prior written consent of SANYO Semiconductor Co.,Ltd.
- Any and all information described or contained herein are subject to change without notice due to product/technology improvement, etc. When designing equipment, refer to the "Delivery Specification" for the SANYO Semiconductor Co.,Ltd. product that you intend to use.
- Information (including circuit diagrams and circuit parameters) herein is for example only; it is not guaranteed for volume production.
- Upon using the technical information or products described herein, neither warranty nor license shall be granted with regard to intellectual property rights or any other rights of SANYO Semiconductor Co.,Ltd. or any third party. SANYO Semiconductor Co.,Ltd. shall not be liable for any claim or suits with regard to a third party's intellectual property rights which has resulted from the use of the technical information and products mentioned above.

This catalog provides information as of February, 2008. Specifications and information herein are subject to change without notice.