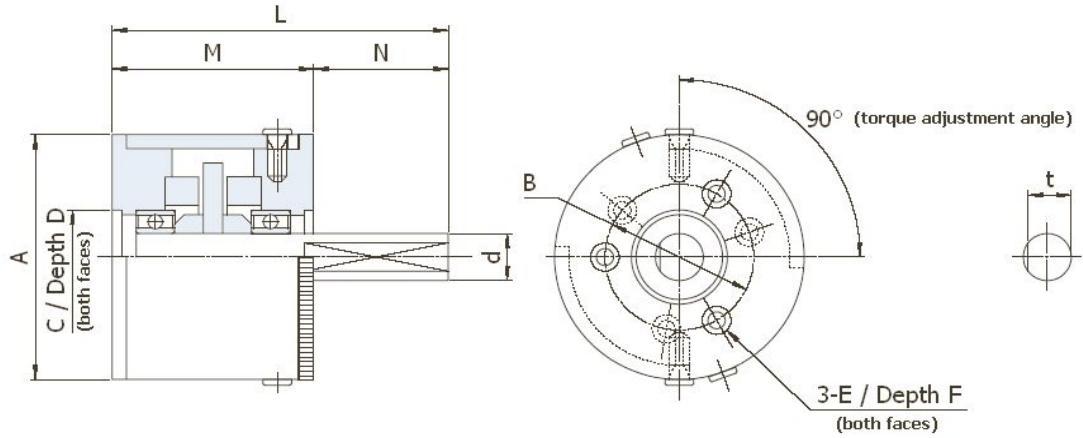


# PHT-D

## PM Hysteresis Torque Controller

Types: 0.02, 0.05, 0.5

[ PM: Permanent Magnet ]



PHT		0.02D	0.05D	0.5D
Torque Range [in-lbs]		0.0049 ~ 0.031	0.012 ~ 0.062	0.089 ~ 0.44
Torque Range [gf-cm]		5.6 ~ 35.7	14.3 ~ 71.4	102 ~ 509.9
Max Slip Speed [rpm]		3600	3600	3600
Max Slip Wattage [W]		1.32	2.65	9.2
Moment of Inertia (J) [kg-cm <sup>2</sup> ]	Body	0.04	0.04	0.19
	Shaft	0.0009	0.0028	0.0375
Shaft [mm]	dh7	5	5	8
	t	4.5	4.5	7.7
Dimensions [mm]	A	26	26	36
	B	15.5	15.5	24
	CH7	10	10	14
	D	1	1	2
	E	M3	M3	M3
	F	4.5	4.5	5.5
	L	35	35	45
	N	14	14	19.5
Weight [lbs]		0.11	0.12	0.32

[ 1" = 25.4mm ]