

**TECHNICAL SPECIFICATION**  
**MODEL NO. : PM070WU1**

The content of this information is subject to be changed without notice.  
Please contact PVI or its agent for further information

Customer's Confirmation

Customer \_\_\_\_\_

Date \_\_\_\_\_

By \_\_\_\_\_

PVI's Confirmation

**FOR MORE INFORMATION:**  
AZ DISPLAYS, INC.  
75 COLUMBIA, ALISO VIEJO, CA 92656  
[Http://www.AZDISPLAYS.com](http://www.AZDISPLAYS.com)

Confirmed By                     中山峰村                    

Prepared By                     黃承晶

## ***Revision History***

<b>Rev.</b>	<b>Issued Date</b>	<b>Revised Contents</b>
0.1	Jan 15, 2009	Preliminary
0.2	Jan 20, 2009	Modify Page 6 4. Mechanical Drawing of TFT-LCD Module: Pin direction
0.3	Mar 24, 2009	Modify Page 5 4. Mechanical Drawing of TFT-LCD Module Modify Page 9 7-2) Recommended Driving Condition for Back Light Modify Page 15 13. Optical Characteristics: Contrast Ratio & Viewing Angle data Add Page 15 13. Optical Characteristics: Brightness data & White Chromaticity Add Page 20 16. Packing Diagram
1.0	Apr 09, 2009	Add Page 9 7-2) Recommended Driving Condition for Back Light: Supply voltage of LED backlight Add Page 11 10. Block Diagram Modify Page 12 11. Interface Timing
2.0	Sep 18, 2009	Modify Page 5~6 4. Mechanical Drawing of TFT-LCD Module

---

# ***TECHNICAL SPECIFICATION***

## **CONTENTS**

<b><i>NO.</i></b>	<b><i>ITEM</i></b>	<b><i>PAGE</i></b>
-	Cover	1
	Revision History	2
-	Contents	3
1	Application	4
2	Features	4
3	Mechanical Specifications	4
4	Mechanical Drawing of TFT-LCD module	5
5	Input Terminals	7
6	Absolute Maximum Ratings	8
7	Electrical Characteristics	8
8	Pixel Arrangement	9
9	Display Color and Gray Scale Reference	10
10	Block Diagram	11
11	Interface Timing	12
12	Power On Sequence	15
13	Optical Characteristics	15
14	Handling Cautions	18
15	Reliability Test	19
16	Packing Diagram	20

## 1. Application

This data sheet applies to a color TFT LCD module, PM070WU1. The application of panel are OA product, which requires high quality flat panel display.

Prime View assumes no responsibility for any damage resulting from the use of the device which does not complies with the instructions and the precautions in these specification sheets.

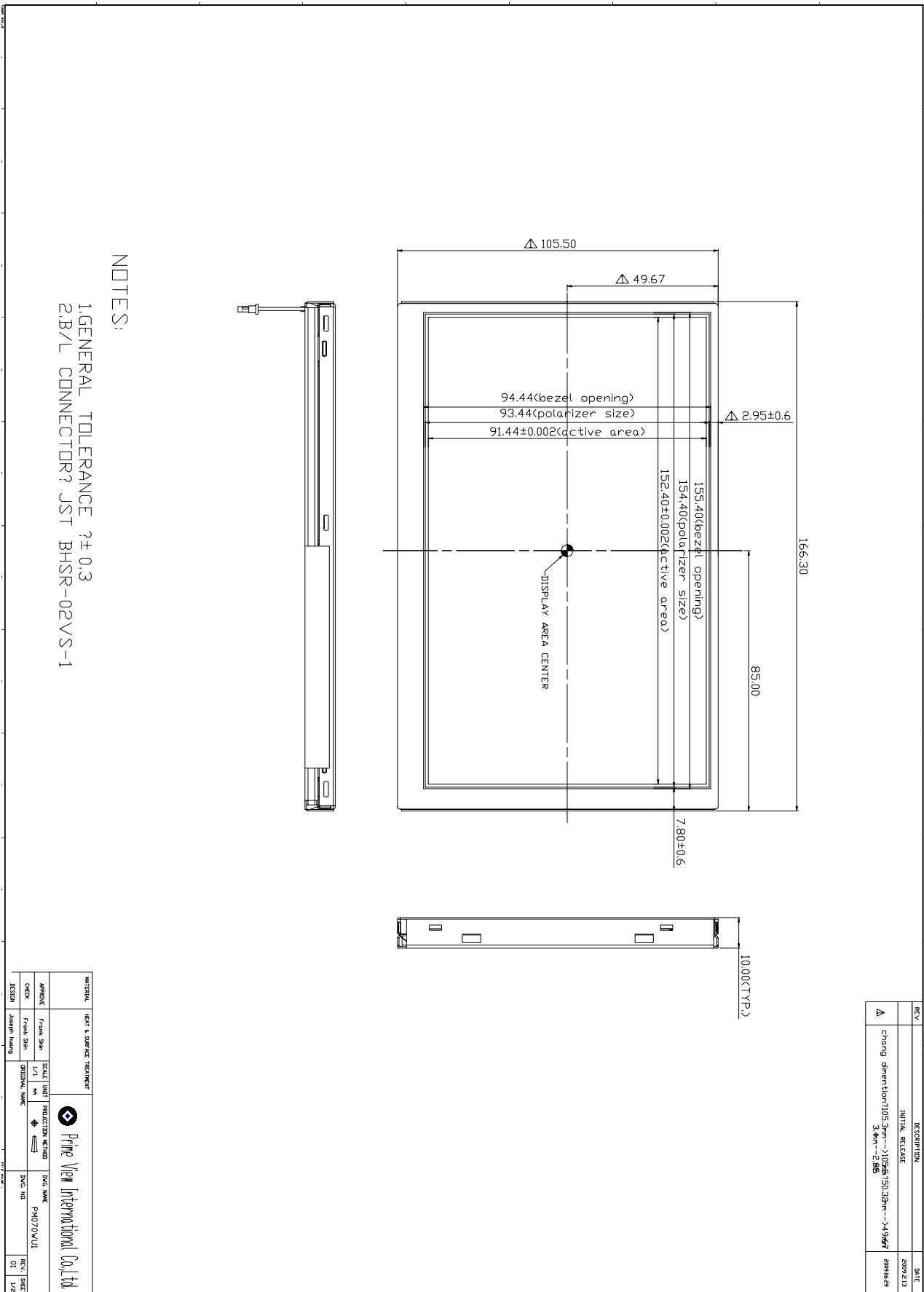
## 2. Features

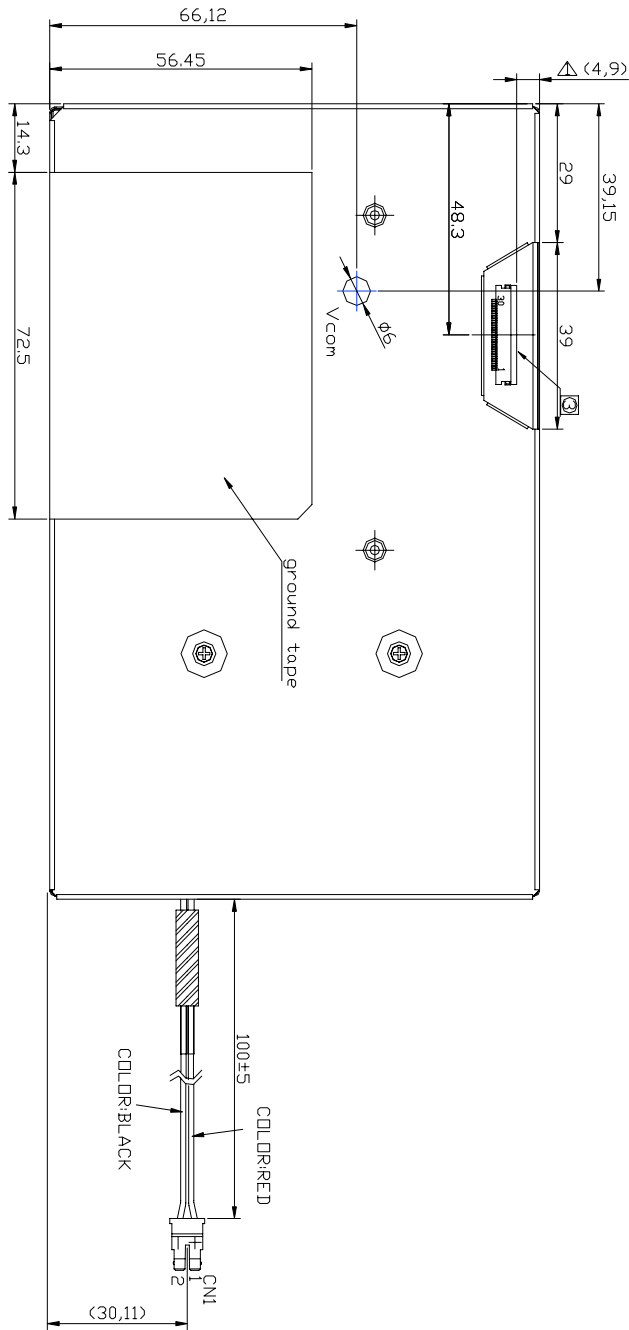
- . Wide VGA (800\*480 pixels) resolution
- . Amorphous silicon TFT LCD panel with LED back-light unit
- . Pixel in stripe configuration
- . Thin and light weight
- . Display Colors : 262,144 colors
- . +3.3V DC supply voltage for TFT LCD panel driving
- . Wide viewing angle
- . TTL transmission interface

## 3. Mechanical Specifications

Parameter	Specifications	Unit
Screen Size	7.0(diagonal)	inch
Display Format	800×(R, G, B)×480	dot
Display Colors	262,144	
Active Area	152.4(H)×91.44(V)	mm
Pixel Pitch	0.1905(H)×0.1905(V)	mm
Pixel Configuration	Stripe	
Outline Dimension	166.3(W)×105.5 (H)×10.0(D) (typ.)	mm
Weight	244±15	g
Back-light	33-LED	
Surface treatment	Anti-glare and EWV Film	
Display mode	Normally white	
Gray scale inversion direction	6 o'clock	Note 13-1

4. Mechanical Drawing of TFT-LCD Module





NOTES  
 1. GENERAL TOLERANCE:  
 2. B/L CONNECTOR: JST BHSR-02V5S-1  
 3. TTL CONNECTOR: LQD, 6210-30P

REV.	DESCRIPTION	DATE
Δ	INITIAL RELEASE Change dimension 5.5mm-->4.9mm	2009.02.19 2009.06.29

APPROVE	SCALE	PROJECTION	DATE
APPROVE	1/1	1ST	PM070WU1
CHECK	1/1	2ND	PM070WU1
DESIGN	1/1	3RD	PM070WU1

PRIME VIEW INTERNATIONAL CO., LTD.

## 5. Input Terminals

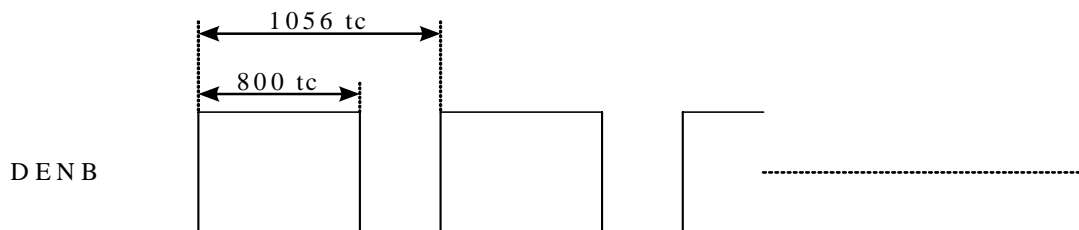
## 5-1) TFT-LCD Panel Driving

Connector type: ELCO 6210-30P

Pin No.	Symbol	Function	Remark
1	CLK	Clock Signal for Sampling Image Digital Data	
2	Hsync	Horizontal Synchronous Signal	
3	Vsync	Vertical Synchronous Signal	
4	GND	Ground (0V)	
5	R0	Red Image Data Signal (LSB)	
6	R1	Red Image Data Signal	
7	R2	Red Image Data Signal	
8	R3	Red Image Data Signal	
9	R4	Red Image Data Signal	
10	R5	Red Image Data Signal (MSB)	
11	GND	Ground (0V)	
12	G0	Green Image Data Signal (LSB)	
13	G1	Green Image Data Signal	
14	G2	Green Image Data Signal	
15	G3	Green Image Data Signal	
16	G4	Green Image Data Signal	
17	G5	Green Image Data Signal (MSB)	
18	GND	Ground (0V)	
19	B0	Blue Image Data Signal (LSB)	
20	B1	Blue Image Data Signal	
21	B2	Blue Image Data Signal	
22	B3	Blue Image Data Signal	
23	B4	Blue Image Data Signal	
24	B5	Blue Image Data Signal (MSB)	
25	GND	Ground (0V)	
26	DENB	Compound Synchronization signal	Note5-1
27	VCC	DC +3.3V Power Supply	
28	VCC	DC +3.3V Power Supply	
29	R/L	Left / Right control for source driver	Note5-2
30	U/D	Up / Down control for gate driver	Note5-2

Note5-1: DENB input signal.

If customer wanted to off the DENB mode, you must keep the DENB always High or Low.

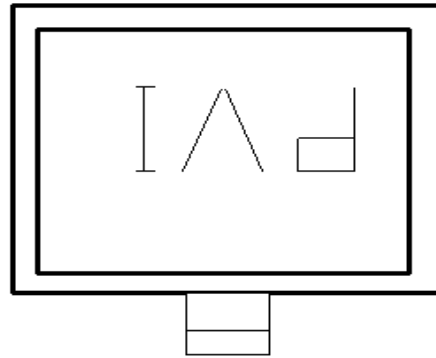
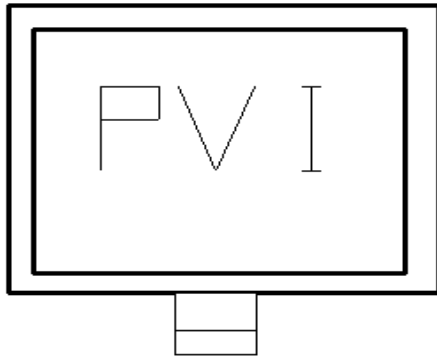


(tc: the period of sampling clock)

Note 5-2: The definitions of U/D & R/L

U/D(PIN 30)=Low R/L(PIN 29)=High

U/D(PIN 30)=High R/L(PIN 29)=Low



**6. Absolute Maximum Ratings:**

GND=0V, Ta=25□

Parameters	Symbol	MIN.	MAX.	Unit	Remark
Supply Voltage	V <sub>CC</sub>	-0.3	+4.0	V	
Input Signals Voltage	V <sub>IN</sub>	-0.3	V <sub>CC</sub> +0.3	V	
Storage Temperature	T <sub>st</sub>	-40	+85		
Operation Temperature	T <sub>op</sub>	-30	+80		

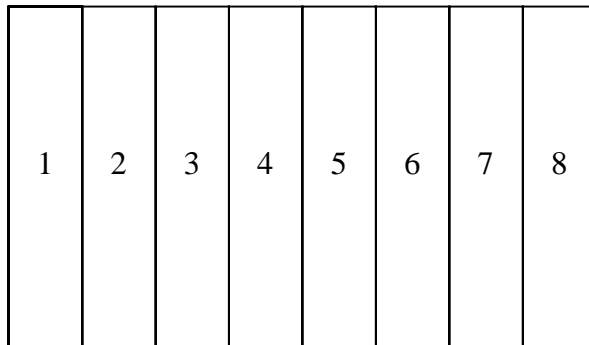
**7. Electrical Characteristics**

7-1) Recommended Operating Conditions:

GND = 0V , Ta = 25□

Item	Symbol	Min.	Typ.	Max.	Unit	Remark
Supply Voltage	V <sub>CC</sub>	3.0	3.3	3.6	V	
Current Dissipation	I <sub>CC</sub>	-	110	165	mA	Note7-1
Total power consumption	P <sub>CC</sub>	-	363	544.5	mW	V <sub>CC</sub> =3.3V
Digital input voltage	High Level	V <sub>IN</sub>	0.7 V <sub>CC</sub>	-	V <sub>CC</sub>	mV
	Low Level	V <sub>IL</sub>	-0.1	-	0.2V <sub>CC</sub>	

Note 7-1: To test the current dissipation of VCC using the “color bars” testing pattern shown as below



1. White
2. Yellow
3. Cyan
4. Green
5. Magenta
6. Red
7. Blue
8. Black

I<sub>CC</sub> current dissipation testing pattern



7-2) Recommended Driving Condition for Back Light

Ta = 25

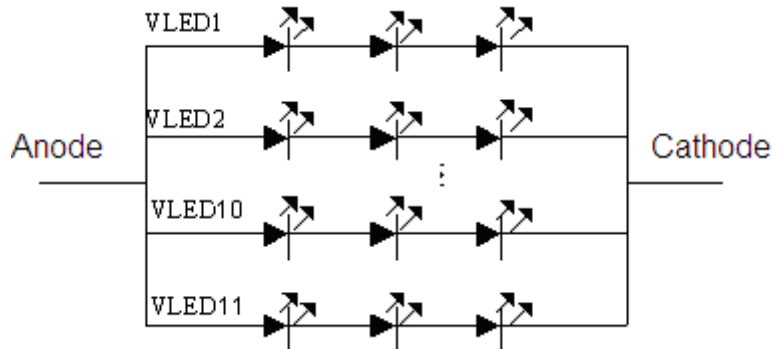
Parameter	Symbol	Min	TYP	MAX	Unit	Remark
Supply voltage of LED backlight	$V_{LED1\sim11}$	-	-	(11)	V	Note 7-2
Supply current of LED backlight	$I_{LED1\sim11}$	-	16	-	mA	Note 7-3
Backlight Power Consumption	$P_{LED}$	-	-	1.94	W	Note 7-2 /Note 7-4

Note 7-2:  $I_{LED} = 16\text{mA}$ , constant current

Note 7-3: The LED driving condition is defined for each LED module. (3 LED Serial)

Input current =  $16\text{mA} * 11 = 176\text{mA}$

Note 7-4:  $P_{LED} = V_{LED1} * I_{LED1} + V_{LED2} * I_{LED2} \dots + V_{LED10} * I_{LED10} + V_{LED11} * I_{LED11}$

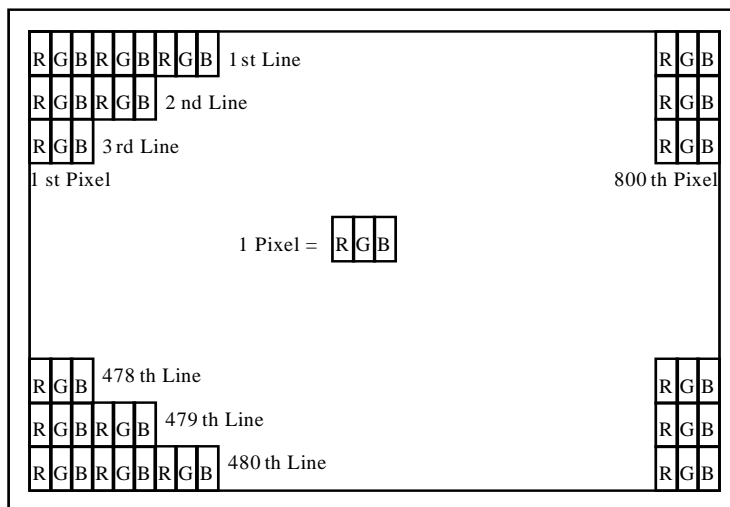


7-3) Backlight driving

Connector type: JST BHSR-02VS-1N, PIN No 2 pin

Pin No	Symbol	Description	Remark
1	+	Input terminal (Anode)	Wire color : Red
2	-	Input terminal (Cathode)	Wire Color : Black

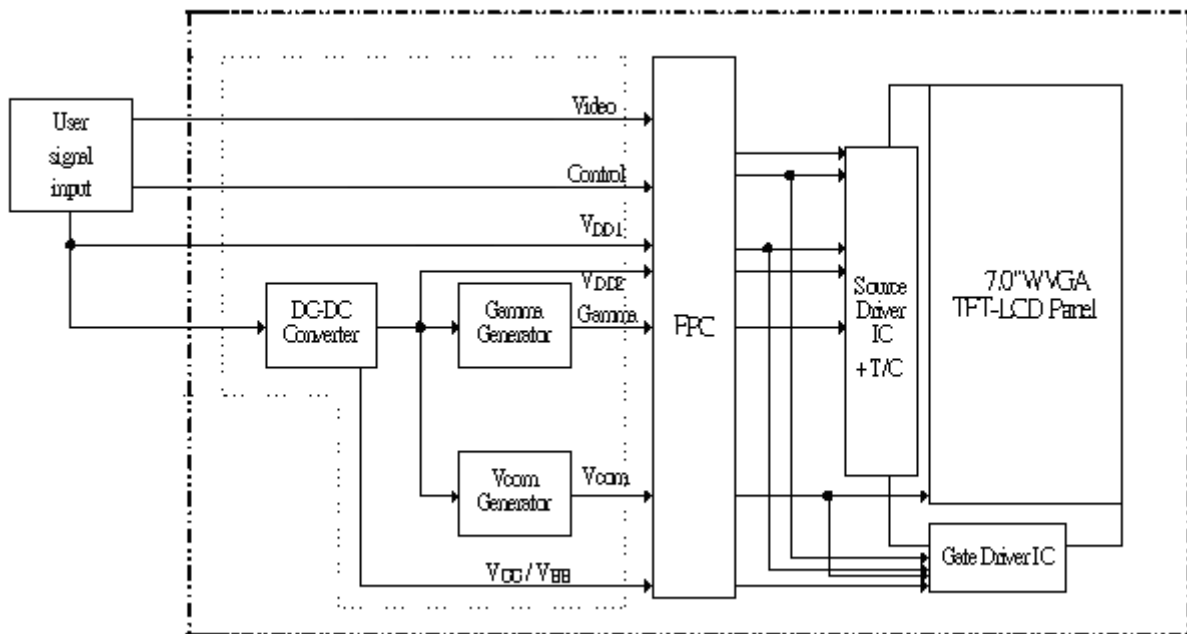
8. Pixel Arrangement



## 9. Display Color and Gray Scale Reference

Color		Input Color Data																	
		Red						Green						Blue					
		R5	R4	R3	R2	R1	R0	G5	G4	G3	G2	G1	G0	B5	B4	B3	B2	B1	B0
Basic Colors	Black	0	0	0	0	0	0	0	0	0	0	0	0	0	0	0	0	0	0
	Red (63)	1	1	1	1	1	1	0	0	0	0	0	0	0	0	0	0	0	0
	Green (63)	0	0	0	0	0	0	1	1	1	1	1	1	0	0	0	0	0	0
	Blue (63)	0	0	0	0	0	0	0	0	0	0	0	0	1	1	1	1	1	1
	Cyan	0	0	0	0	0	0	1	1	1	1	1	1	1	1	1	1	1	1
	Magenta	1	1	1	1	1	1	0	0	0	0	0	0	1	1	1	1	1	1
	Yellow	1	1	1	1	1	1	1	1	1	1	1	1	0	0	0	0	0	0
	White	1	1	1	1	1	1	1	1	1	1	1	1	1	1	1	1	1	1
Red	Red (00)	0	0	0	0	0	0	0	0	0	0	0	0	0	0	0	0	0	0
	Red (01)	0	0	0	0	0	1	0	0	0	0	0	0	0	0	0	0	0	0
	Red (02)	0	0	0	0	1	0	0	0	0	0	0	0	0	0	0	0	0	0
	Darker																		
	↓	↓	↓	↓	↓	↓	↓	↓	↓	↓	↓	↓	↓	↓	↓	↓	↓	↓	↓
	Brighter																		
	Red (61)	1	1	1	1	0	1	0	0	0	0	0	0	0	0	0	0	0	0
	Red (62)	1	1	1	1	1	0	0	0	0	0	0	0	0	0	0	0	0	0
Red (63)	1	1	1	1	1	1	0	0	0	0	0	0	0	0	0	0	0	0	
Green	Green (00)	0	0	0	0	0	0	0	0	0	0	0	0	0	0	0	0	0	0
	Green (01)	0	0	0	0	0	0	0	0	0	0	1	0	0	0	0	0	0	0
	Green (02)	0	0	0	0	0	0	0	0	0	1	0	0	0	0	0	0	0	0
	Darker																		
	↓	↓	↓	↓	↓	↓	↓	↓	↓	↓	↓	↓	↓	↓	↓	↓	↓	↓	↓
	Brighter																		
	Green (61)	0	0	0	0	0	0	1	1	1	1	0	1	0	0	0	0	0	0
	Green (62)	0	0	0	0	0	0	1	1	1	1	1	0	0	0	0	0	0	0
Green (63)	0	0	0	0	0	0	1	1	1	1	1	1	0	0	0	0	0	0	
Blue	Blue (00)	0	0	0	0	0	0	0	0	0	0	0	0	0	0	0	0	0	0
	Blue (01)	0	0	0	0	0	0	0	0	0	0	0	0	0	0	0	0	1	0
	Blue (02)	0	0	0	0	0	0	0	0	0	0	0	0	0	0	0	1	0	0
	Darker																		
	↓	↓	↓	↓	↓	↓	↓	↓	↓	↓	↓	↓	↓	↓	↓	↓	↓	↓	↓
	Brighter																		
	Blue (61)	0	0	0	0	0	0	0	0	0	0	0	0	1	1	1	1	0	1
	Blue (62)	0	0	0	0	0	0	0	0	0	0	0	0	1	1	1	1	1	0
Blue (63)	0	0	0	0	0	0	0	0	0	0	0	0	1	1	1	1	1	1	

10. Block Diagram



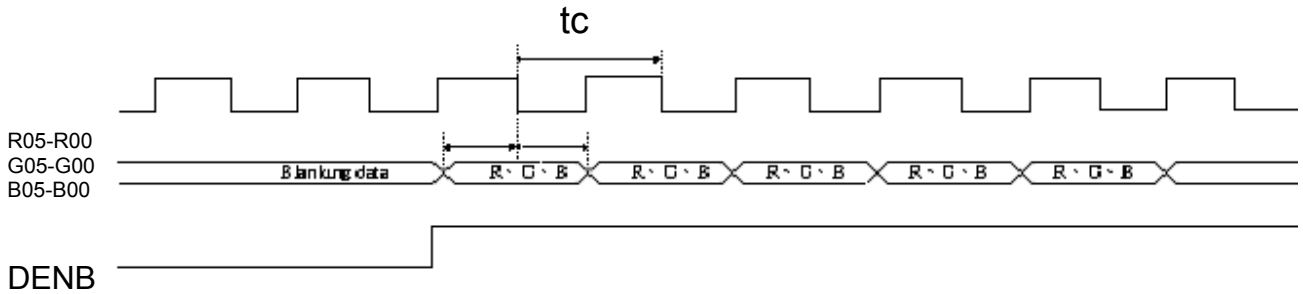
**11. Interface Timing**
**11-1) Timing Parameters**

		<b>Symbol</b>	<b>Min.</b>	<b>Typ.</b>	<b>Max.</b>	<b>Unit</b>	<b>Remark</b>	
Power supply		VCC	3.0	3.3	3.6	V		
CLK	Frequency	1/tc	-	32	-	MHz		
		tc	-	31.25	-	ns		
HSYNC	Period	Hp	-	33	-	us		
			-	1056	-	tc		
	Display period	Hdp	-	800	-	tc		
	Pulse width	Hpw	-	128	-	tc		
	Back-porch	Hbp	-	88	-	tc		
	Front-porch	Hfp	-	40	-	tc		
	Hpw+Hbp			-	216	-	tc	
	Hsync-CLK	Hhc	10	-	Tc-10	ns		
Vsync-Hsync	Hvh	0	0	200	tc			
VSYNC	Period	Vp	-	17.325	-	ms		
			-	525	-	Hp		
	Display period	Vdp	-	480	-	Hp		
	Pulse width	Vpw	-	2	-	Hp		
	Back-porch	Vbp	-	33	-	Hp		
	Front-porch	Vfp	-	10	-	Hp		
Vpw+Vbp			-	35	-	Hp		
DENB	Horizontal scanning period	T1	860	1056	1064	tc		
	Horizontal display period	T2	-	800	-	tc		
	Vertical display period	T3	-	480	-	T1		
	Frame cycling period	T4	490	525	590	T1		
R,G,B	CLK-DATA	Dcd	10	-	-	ns		
	DATA-CLK	Ddc	8	-	-	ns		

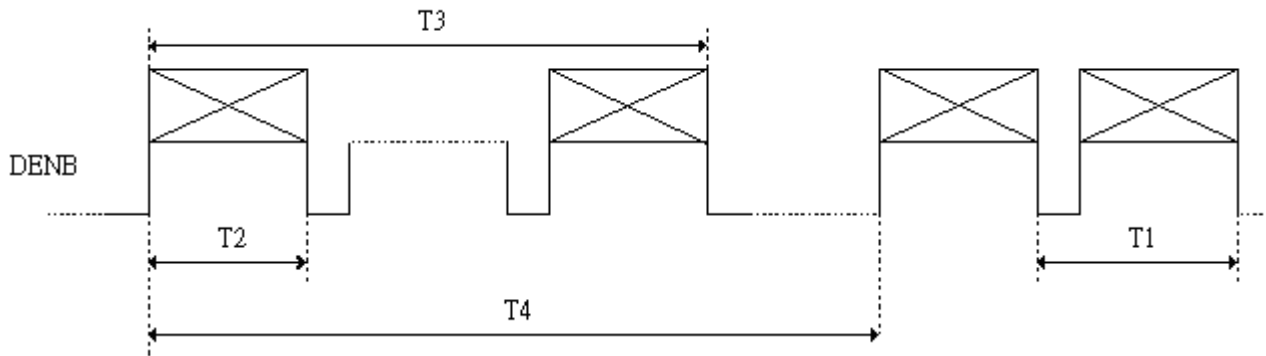
11-2) The Timing Diagram

A. The timing chart for DENB mode

a) CLK data, relationship



b) DENB Timing

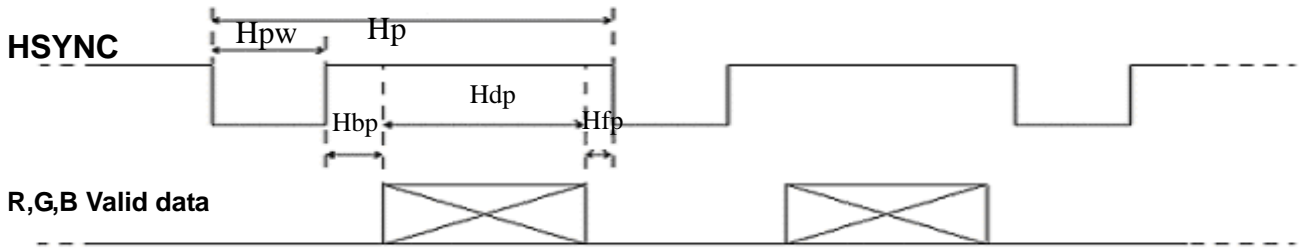


B. The timing chart for sync mode

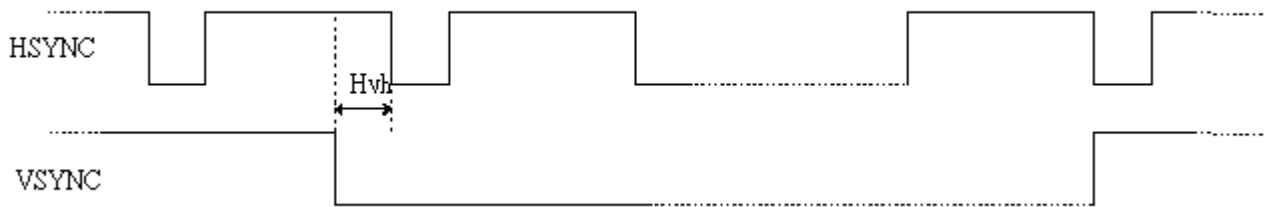
a) CLK Hsync relation ship



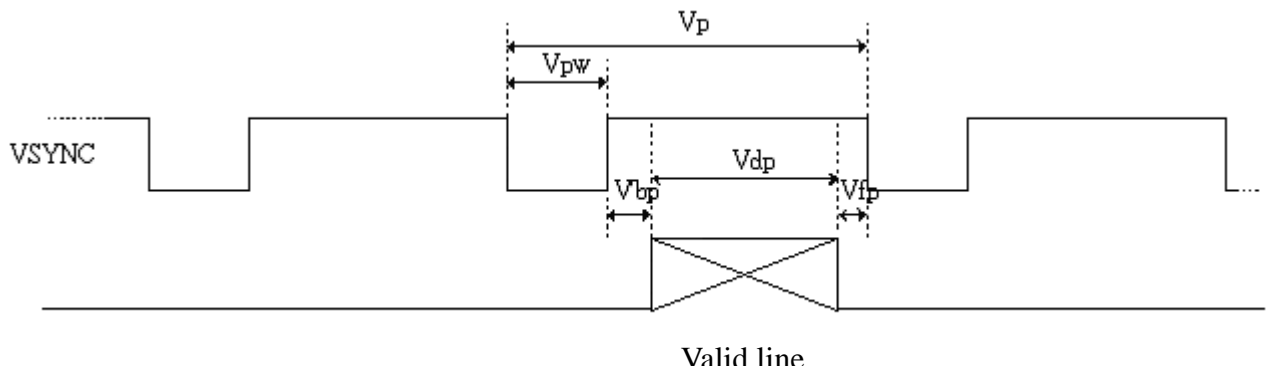
b) Hsync timing



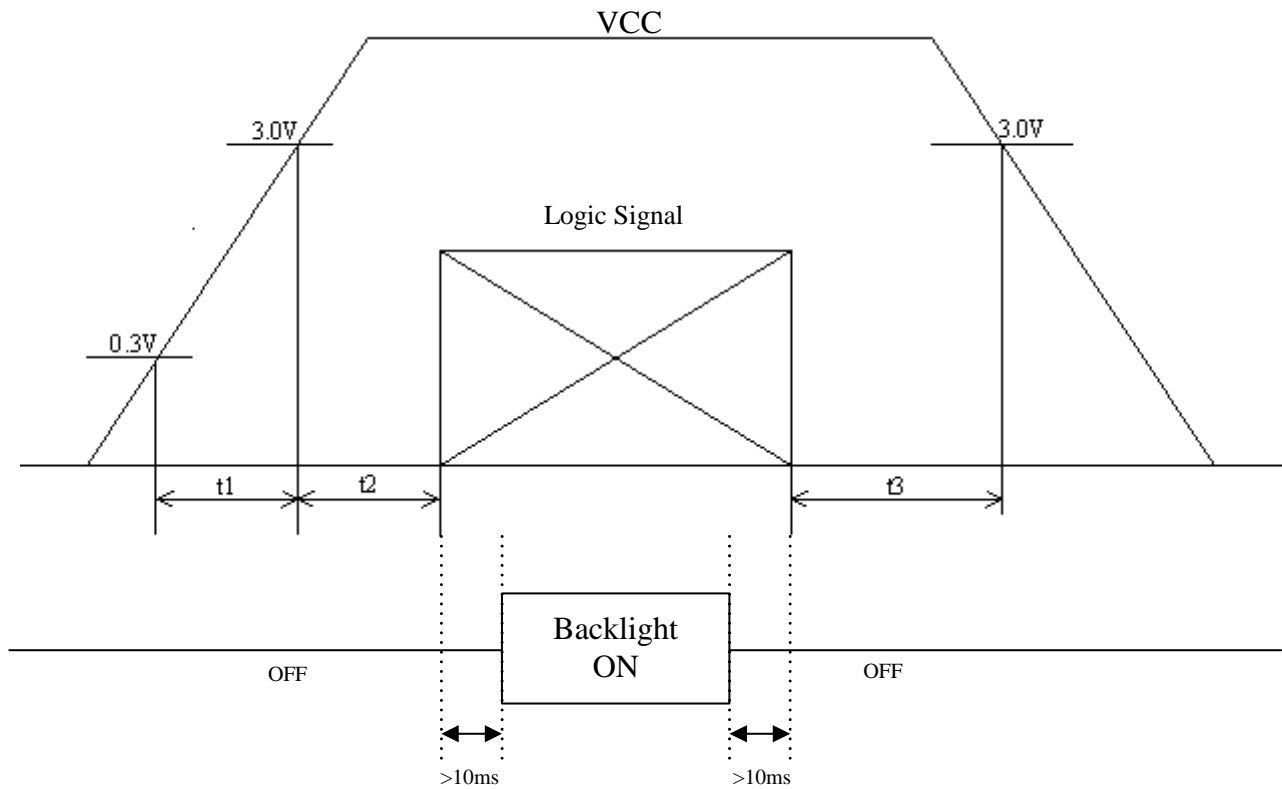
c) Hsync,Vsync relationship



d) Vsync Timing



## 12. Power on Sequence



1.  $0 < t_1 \leq 20\text{ms}$
2.  $0 < t_2 \leq 50\text{ms}$
3.  $0 < t_3 \leq 1\text{s}$

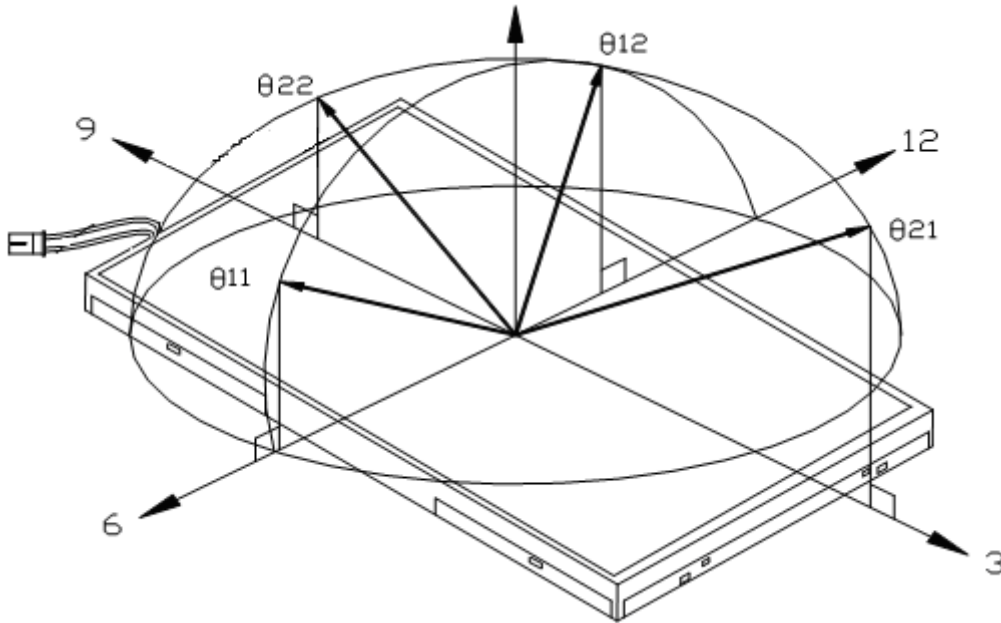
## 13. Optical Characteristics

13-1) Specification:

 $T_a = 25^\circ\text{C}$ 

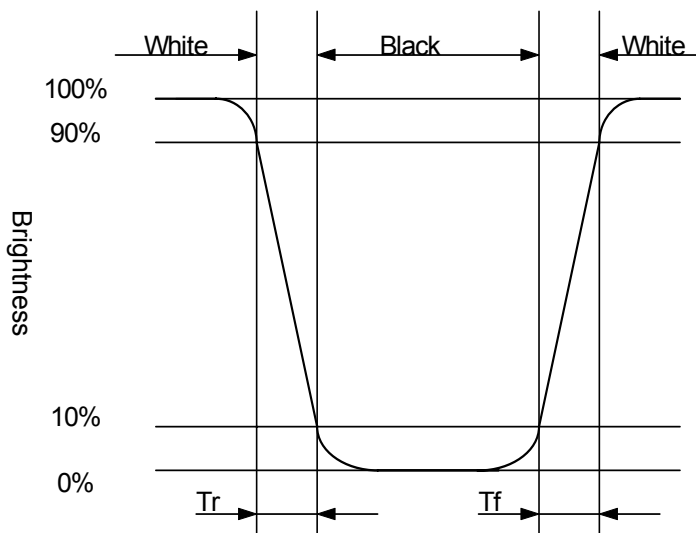
Parameter		Symbol	Condition	MIN.	TYP.	MAX.	Unit	Remarks
Viewing Angle	Horizontal	$\theta_{22.21}$	$CR \leq 10$	$\pm 75$	$\pm 80$	-	deg	Note 13-1
	Vertical	$\theta_{12}$		55	60	-	deg	
		$\theta_{11}$		65	70	-	deg	
Contrast Ratio		CR	$\theta = 0^\circ$	600	800	-	-	Note 13-2
Response time	Rise	$T_r$	$\theta = 0^\circ$	-	5	10	ms	Note 13-3
	Fall	$T_f$		-	15	20	ms	
Brightness		L	$\theta = 0^\circ / \varphi = 0$	350	400	-	$\text{cd}/\text{m}^2$	
LED Life Time			$+25^\circ\text{C}$	20000	30000	-	hrs	Note 13-4
Luminance Uniformity		U	-	70	75	-	%	Note 13-5
White Chromaticity		x	-	0.27	0.31	0.35	-	
		y	-	0.30	0.34	0.38	-	
Cross Talk		CTK	$\theta = 0^\circ$	-	-	3.5	%	Note 13-6

Note 13-1: The definitions of viewing angles are as follow.



Note 13-2: The definition of contrast ratio  $CR = \frac{\text{Luminance when Testing point is White}}{\text{Luminance when Testing point is Black}}$

Note 13-3: Definition of Response Time  $T_r$  and  $T_f$ :



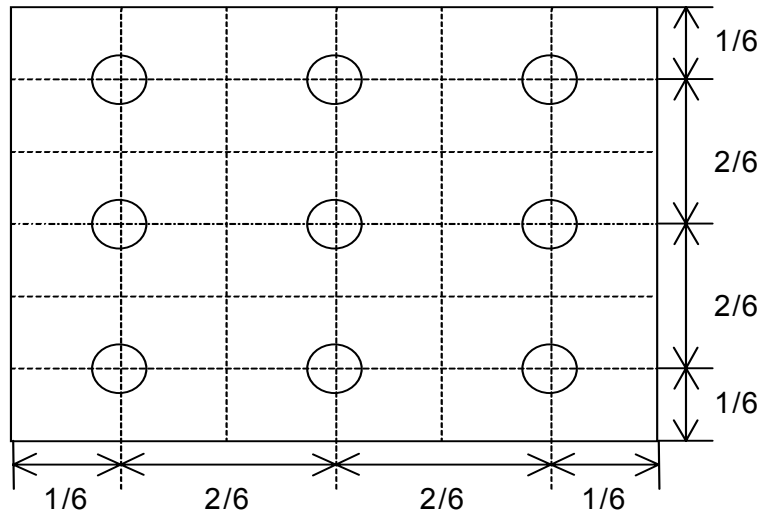
Note 13-4: The “LED Life time “ is defined as the module brightness decrease to 50% original Brightness that the ambient temperature is 25 and  $I_{LED} = 176mA$



Note 13-5: The uniformity of LCD is defined as

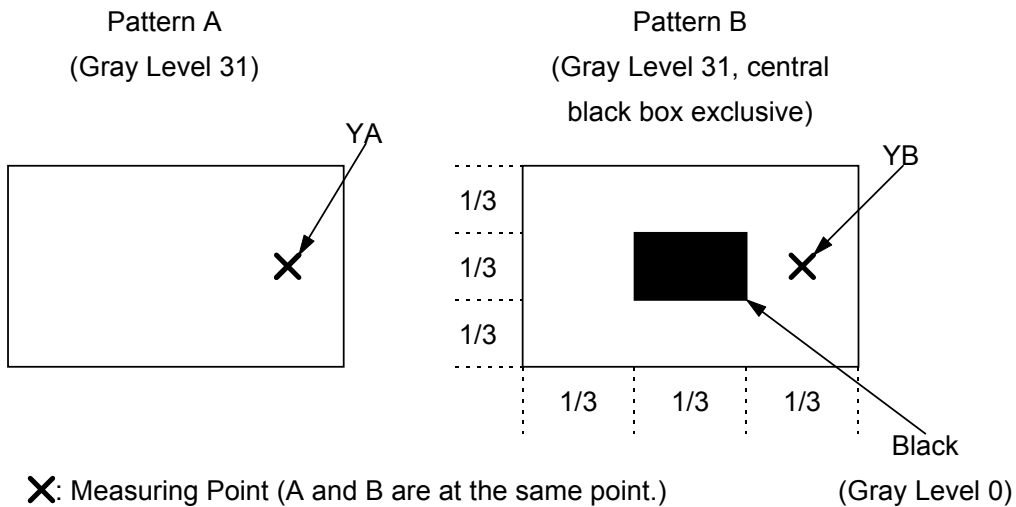
$$U = \frac{\text{The Minimum Brightness of the 9 testing Points}}{\text{The Maximum Brightness of the 9 testing Points}}$$

Luminance meter: BM-5A or BM-7 fast (TOPCON)  
 Measurement distance: 500 mm +/- 50 mm  
 Ambient illumination: < 1 Lux  
 Measuring direction: Perpendicular to the surface of module  
 The test pattern is white (Gray Level 63).



Note 13-6: Cross Talk (CTK) =  $\frac{|YA-YB|}{YA} \times 100\%$

YA: Brightness of Pattern A  
 YB: Brightness of Pattern B  
 Luminance meter: BM 5A or BM-7 fast (TOPCON)  
 Measurement distance: 500 mm +/- 50 mm  
 Ambient illumination: < 1 Lux  
 Measuring direction: Perpendicular to the surface of module



**14. Handling Cautions****14-1) Mounting of module**

- a) Please power off the module when you connect the input/output connector.
- b) Polarizer which is made of soft material and susceptible to flaw must be handled carefully.
- c) Protective film (Laminator) is applied on surface to protect it against scratches and dirt.
- d) Please following the tear off direction as figure14-1 to remove the protective film as slowly as possible, so that electrostatic charge can be minimized.

**14-2) Precautions in mounting**

- a) When metal part of the TFT-LCD module (shielding lid and rear case) is soiled, wipe it with soft dry cloth.
- b) Wipe off water drops or finger grease immediately. Long contact with water may cause discoloration or spots.
- c) TFT-LCD module uses glass which breaks or cracks easily if dropped or bumped on hard surface. Please handle with care.
- d) Since CMOS LSI is used in the module. So take care of static electricity and earth yourself when handling.

**14-3) Adjusting module**

- a) Adjusting volumes on the rear face of the module have been set optimally before shipment.
- b) Therefore, do not change any adjusted values. If adjusted values are changed, the specifications described may not be satisfied.

**14-4) Others**

- a) Do not expose the module to direct sunlight or intensive ultraviolet rays for many hours.
- b) Store the module at a room temperature place.
- c) The voltage of beginning electric discharge may over the normal voltage because of leakage current from approach conductor by to draw lump read lead line around.
- d) If LCD panel breaks, it is possibly that the liquid crystal escapes from the panel. Avoid putting it into eyes or mouth. When liquid crystal sticks on hands, clothes or feet. Wash it out immediately with soap.
- e) Observe all other precautionary requirements in handling general electronic components.
- f) Please adjust the voltage of common electrode as material of attachment by 1 module.

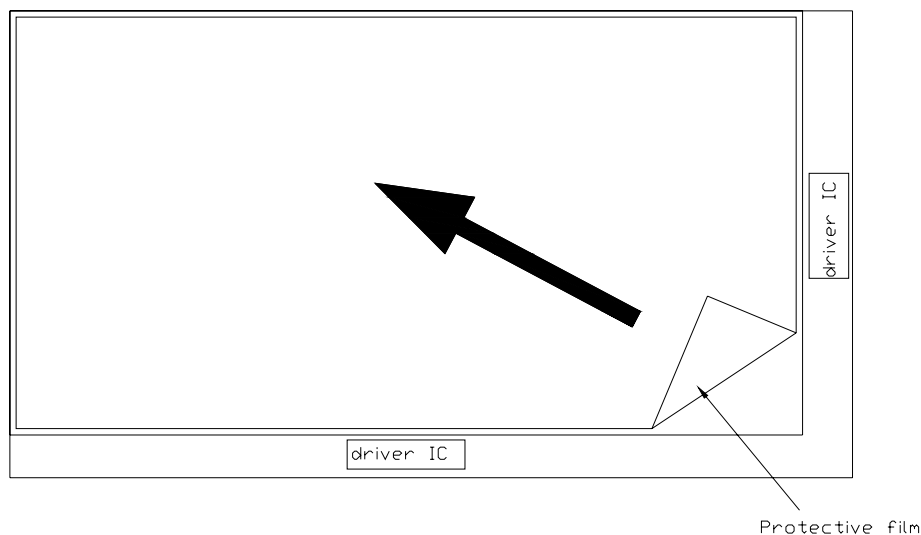


Figure 14-1 the way to peel off protective film

**15. Reliability Test**

No	Test Item	Test Condition
1	High Temperature Storage Test	Ta = +85□, 240 hrs
2	Low Temperature Storage Test	Ta = -40□, 240 hrs
3	High Temperature Operation Test	Ta = +80□, 240 hrs
4	Low Temperature Operation Test	Ta = -30□, 240 hrs
5	High Temperature & High Humidity Operation Test	Ta = +60□, 90%RH, 240 hrs (No Condensation)
6	Thermal Cycling Test (non-operating)	-30□→+80□, 100 Cycles 30min 30min
7	Vibration Test (non-operating)	Frequency : 10 ~ 55 Hz, Amplitude : 1 mm Sweep time: 11 min Test Period: 6 Cycles for each direction of X, Y, Z
8	Shock Test (non-operating)	100G, 6ms Direction: ±X, ±Y, ±Z Cycle: 3 times
9	Electrostatic Discharge Test (Operating)	C=150pF. R=330Ω. Contact=+8KV ; Air=+15KV 10times/point, 5 points/panel face

Ta: ambient temperature

Note: The protective film must be removed before temperature test.

**[Criteria]**

In the standard conditions, there is not display function NG issue occurred. (Including: line defect ,no image), All the cosmetic specification is judged before the reliability stress.

16. Packing Diagram

ZONE	REV.	DOCUMENT NO.	DESCRIPTION	DATE	REV. BY																									
<p><b>NOTE:</b>                      1. QTY: 30 pcs module /carton.                      2. Dimension: 530*295*230mm                      3. Weight: 11.5 Kg</p>																														
		<table border="1" style="width:100%; border-collapse: collapse;"> <thead> <tr> <th>ITEM</th> <th>PART NO.</th> <th>DESCRIPTION</th> <th>QTY</th> <th>REMARK</th> </tr> </thead> <tbody> <tr> <td>4</td> <td>50-0100111</td> <td>CARTON</td> <td>1</td> <td></td> </tr> <tr> <td>3</td> <td>50-0500071</td> <td>靜電袋</td> <td>30</td> <td>抗靜電</td> </tr> <tr> <td>2</td> <td>PM070WU1</td> <td></td> <td>30</td> <td></td> </tr> <tr> <td>1</td> <td>50-0302411</td> <td>瓦楞隔板緩衝材</td> <td>1</td> <td>上蓋+底座</td> </tr> </tbody> </table>		ITEM	PART NO.	DESCRIPTION	QTY	REMARK	4	50-0100111	CARTON	1		3	50-0500071	靜電袋	30	抗靜電	2	PM070WU1		30		1	50-0302411	瓦楞隔板緩衝材	1	上蓋+底座		
ITEM	PART NO.	DESCRIPTION	QTY	REMARK																										
4	50-0100111	CARTON	1																											
3	50-0500071	靜電袋	30	抗靜電																										
2	PM070WU1		30																											
1	50-0302411	瓦楞隔板緩衝材	1	上蓋+底座																										
MTL.SPEC.		UNSPECIFIED TOL'S ANGLE ROUGHNESS		REMARK																										
APPROVE		Frank shin	09.03.25	<p>元太科技工業股份有限公司 Prime View International Co., Ltd.</p>																										
CHECK		Frank shin	09.03.25																											
DRAWN		Joseph H	09.03.25																											
		SCALE	UNIT	SHEET 1 OF 1	DWG.TITLE PM070WU1 Module Packing Draw																									
		MTL.NO.		DWG FILE:	REV. 01 <span style="border: 1px solid black; padding: 2px;">A4 SIZE</span>																									