



PT1101

PWM/VFM Step-down DC-DC Controller

▪ GENERAL DESCRIPTION

The PT1101 Series are CMOS-based PWM step-down DC/DC Controllers with low supply current. A low ripple, high efficiency step-down DC/DC converter can be easily composed of with additional several external components such as a power-transistor, an inductor, a diode and capacitors. Output voltage is fixed or can be adjusted with external resistors. (PWM/VFM alternative circuit is disabled in adjustable types)

The PT1101 Series consist of a PWM control circuit, a high precision band-gap voltage reference, a soft-start circuit, a protection circuit, a PWM/VFM alternative circuit, an oscillator, an error amplifier with internal compensation network and input/output voltage detection circuits.

With its internal state-of-art control algorithm, the PT1101 Series based DC/DC converter can achieve high performance while maintaining stability. For example, with its PWM/VFM alternative circuit, when the load current is small, the operation is automatically switched into the VFM mode to improve the efficiency. Further, if the term of maximum duty cycle keeps on a certain time, the embedded protection circuits restart the operation with soft-start and repeat until the maximum duty cycle condition is released. Finally, built-in UVLO function blocks potentially unstable output when the input voltage is equal or less than UVLO threshold and makes this IC standby for low power consumption.

▪ FEATURES

- Wide Range Of Input Voltage: 2.3V~18V
- Built-in Soft-start and Protection Function
- High Efficiency: Typ. 90%
- Oscillation Frequency: 500kHz
- High Accuracy Output Voltage: $\pm 2\%$
- Low Temperature Coefficient of Output Voltage:
Typ. $\pm 100\text{ppm}/^\circ\text{C}$
- Standby Current: Typ. 0.1 μA
- Output Voltage: Stepwise Setting with a step of 0.1V in the range of 1.2V to 6.0V as fixed voltage type. Reference Voltage of Adjustable type is 1.0V.
- CMOS Output Capability
- Small Package: SOT-23-5

▪ APPLICATIONS

Power Sources For:

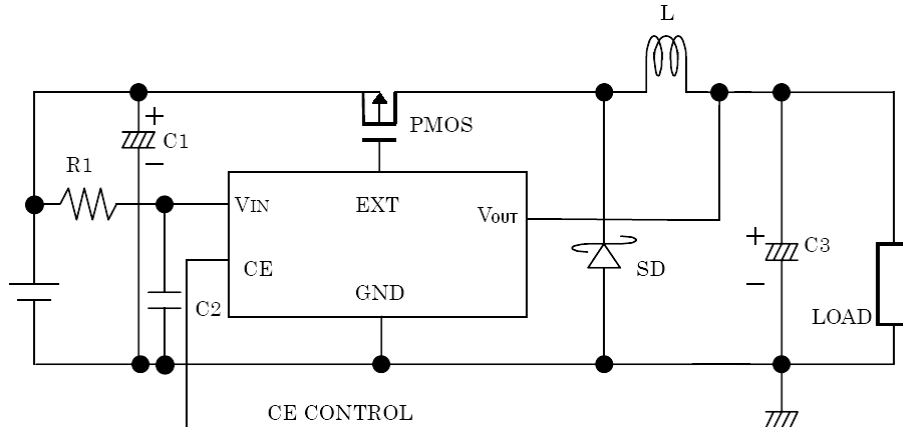
- Hand-held communication equipment, cameras, video instruments such as VCRs, camcorders
- Battery-powered equipment
- Household electrical appliances

▪ ORDERING INFORMATION

Package	Temperature Range	Ordering Part Number	Transport	Marking
SOT-23-5, Pb-free	-40°C to 125°C	PT1101E23E-10 (Adjustable Output Voltage)	Tape and Reel	1101
		PT1101E23E-33 (3.3V Output Voltage)	Tape and Reel	1101C
		PT1101E23E-50 (5.03V Output Voltage)	Tape and Reel	1101D

▪ TYPICAL APPLICATION CIRCUIT

* Fixed Output Voltage Type

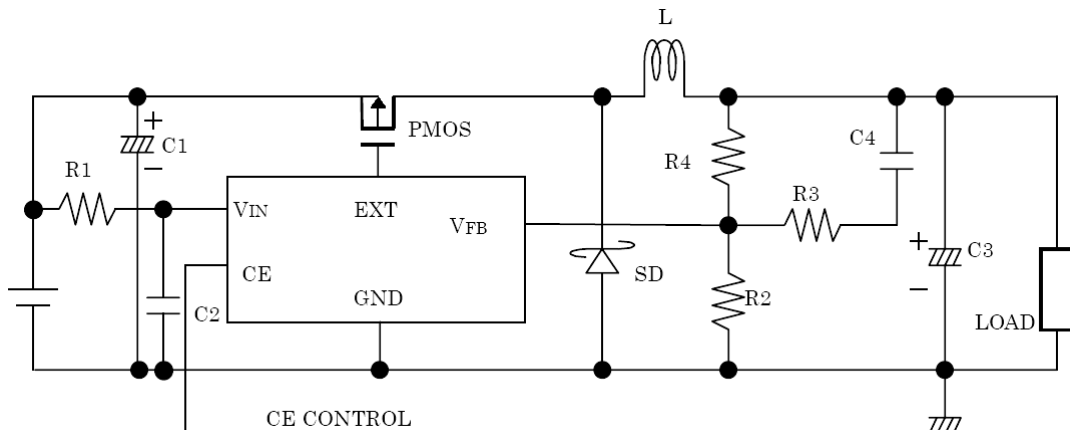


PMOS: IRF7406 (IR)
C3: 47 μ F, Tantalum Type
R1: 10 Ω

L: CR105-270MC (Sumida, 27 μ H)
C1: 10 μ F, Ceramic Type

SD1: RB063L-30(Rohm)
C2: 0.1 μ F, Ceramic Type

* Adjustable Output Voltage Type. For example, Output Voltage=3.2V

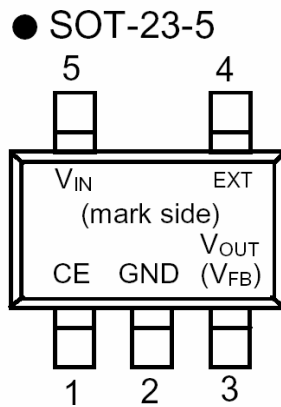


PMOS: IRF7406 (IR)
C3: 47 μ F, Tantalum Type
C4: 1000pF, Ceramic Type
R3: 2.7 k Ω

L: CR105-270MC (Sumida, 27 μ H)
C1: 10 μ F, Ceramic Type
R1: 10 Ω
R4: 22 k Ω

SD1: RB063L-30(Rohm)
C2: 0.1 μ F, Ceramic Type
R2: 10k Ω

▪ PIN ASSIGNMENT



▪ PIN DESCRIPTIONS

Pin No.	Names	Description
1	CE	Chip Enable. Active with "H"
2	GND	Ground
3	$V_{OUT} / (V_{FB})$	Output Voltage (Feedback Voltage for adjustable output voltage type)
4	EXT	External Transistor Driver Pin (CMOS output)
5	V_{IN}	Power Supply

▪ ABSOLUTE MAXIMUM RATINGS

SYM	PARAMETER	VALUE
V_{IN}	V_{IN} Supply Voltage	20V
V_{EXT}	Ext Pin Output Voltage	-0.3~ $V_{IN} + 0.3V$
V_{CE}	CE Pin Input Voltage	-0.3~ $V_{IN} + 0.3V$
$V_{OUT} / (V_{FB})$	$V_{OUT} / (V_{FB})$ PIN Input Voltage	-0.3~6V
I_{EXT}	Ext Pin Output Current	±50mA
PD	Power Dissipation	250mW
T_{OPT}	Operation Temperature Range	-40~85°C
T_{STG}	Storage Temperature Range	-55~125°C

▪ OPERATING RANGE

SYM	PARAMETER	VALUE
V_{IN}	V_{IN} Supply Voltage	2.5~18V
V_{EXT}	Ext Pin Output Voltage	-0.3~ $V_{IN} + 0.3V$
V_{CE}	CE Pin Input Voltage	-0.3~ $V_{IN} + 0.3V$
$V_{OUT} / (V_{FB})$	$V_{OUT} / (V_{FB})$ PIN Input Voltage	-0.3~5.5V
I_{EXT}	Ext Pin Output Current	±50mA

▪ ELECTRICAL CHARACTERISTICS (T_{OPT}=25°C, Unless Otherwise Noted.)

* Adjustable Output Voltage Type

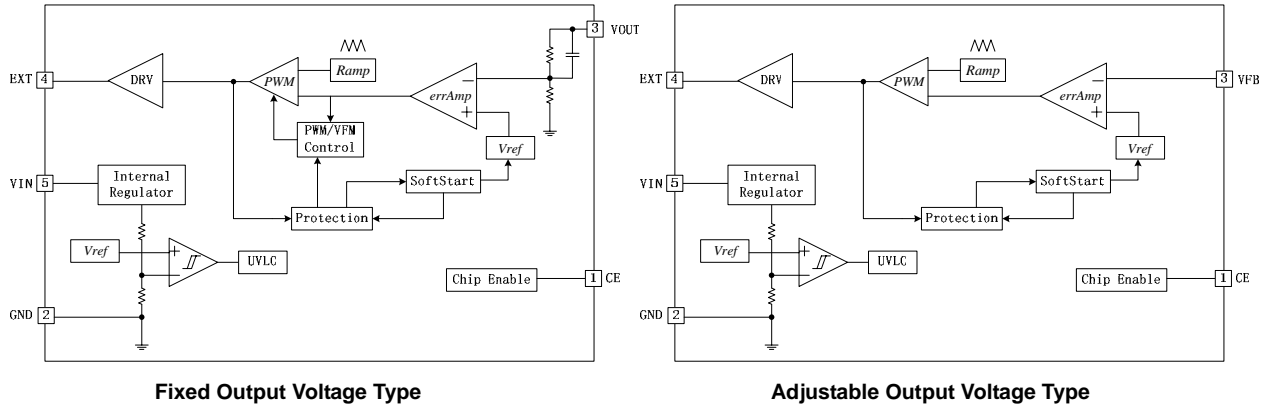
Symbol	Parameter	Conditions	Min.	Typ.	Max.	Units
V _{IN}	Operating Voltage		2.3		18	V
V _{FB}	Feedback Voltage	V _{IN} =V _{CE} =8V, I _{FB} =350mA	0.98	1.00	1.02	V
$\frac{\Delta V_{FB}}{\Delta T}$	Feedback Voltage Temperature coefficient	-40°C < T _{OPT} < 85°C		±100		ppm/°C
I _{Q1}	Supply Current	V _{IN} =V _{CE} =18V, V _{FB} =2V		40	80	μA
I _{Q2}	Shutdown Current	V _{IN} =18V, V _{CE} =V _{FB} =0V		0.1	1	μA
f _{OSC}	Oscillator Frequency	V _{IN} =V _{CE} =8V, I _{FB} =350mA	400	500	600	kHz
D _{MAX}	Maximum Duty Cycle		100			%
D _{MIN}	Minimum Duty Cycle				0	%
I _{EXTH}	EXT "H" Output Current	V _{IN} =V _{CE} =8V, V _{EXT} =7.9V, V _{FB} =3V		-17	-10	mA
I _{EXTL}	EXT "L" Output Current	V _{IN} =V _{CE} =8V, V _{EXT} =0.1V, V _{FB} =0V	20	30		mA
I _{CEH}	CE "H" Output Current	V _{IN} =V _{CE} =V _{OUT} =18V		0	0.5	uA
I _{CEL}	CE "L" Output Current	V _{IN} =V _{OUT} =18V, V _{CE} =0V	-0.3	0		uA
V _{CEH}	CE "H" Input Voltage	V _{IN} =8V, V _{FB} =0V	1.5			V
V _{CEL}	CE "H" Input Voltage				0.3	V
V _{UVLO1}	UVLO Voltage	V _{IN} =V _{CE} =2.5V->1.5V, V _{FB} =0V	1.75	2.0	2.25	V
V _{UVLO2}	UVLO Release Voltage	V _{IN} =V _{CE} =1.5V->2.5V, V _{FB} =0V		V _{UVLO1} +0.1	2.4	V
T _{SST}	Delay time by soft-start	V _{IN} =8V, I _{FB} =10mA, V _{CE} =0V->2.5V	5	10	20	ms
T _{PROT}	Delay time by Protection	V _{IN} =V _{CE} =2.5V, V _{FB} =2.5V->0V	5	15	30	ms

* Fixed Output Voltage Type

Symbol	Parameter	Conditions	Min.	Typ.	Max.	Units
V _{IN}	Operating Voltage		2.3		18	V
V _{FB}	Feedback Voltage	V _{IN} =V _{CE} =V _{SET} +1.5V, I _{OUT} =100mA	V _{SET} x0.98	V _{SET}	V _{SET} x1.02	V
$\frac{\Delta V_{FB}}{\Delta T}$	Feedback Voltage Temperature coefficient	-40°C < T _{OPT} < 85°C		±100		ppm/°C
I _{Q1}	Supply Current	V _{IN} =V _{CE} =18V, V _{OUT} =V _{SET} +1.5V		40	80	μA
I _{Q2}	Shutdown Current	V _{IN} =18V, V _{CE} =V _{OUT} =0V		0.1	1	μA
f _{OSC}	Oscillator Frequency	V _{IN} =V _{CE} =V _{SET} +1.5V, I _{OUT} =100mA	400	500	600	kHz
D _{MAX}	Maximum Duty Cycle		100			%
I _{EXTH}	EXT "H" Output Current	V _{IN} =V _{CE} =8V, V _{EXT} =7.9V, V _{OUT} =V _{SET} +1.5V		-17	-10	mA
I _{EXTL}	EXT "L" Output Current	V _{IN} =V _{CE} =8V, V _{EXT} =0.1V, V _{OUT} =0V	20	30		mA
I _{CEH}	CE "H" Output Current	V _{IN} =V _{CE} =V _{OUT} =18V		0	0.5	uA
I _{CEL}	CE "L" Output Current	V _{IN} =V _{OUT} =18V, V _{CE} =0V	-0.3	0		uA
V _{CEH}	CE "H" Input Voltage	V _{IN} =8V, V _{OUT} =0V	1.5			V
V _{CEL}	CE "H" Input Voltage				0.3	V
VFMdty	VFM Duty Cycle			35		%
V _{UVLO1}	UVLO Voltage	V _{IN} =V _{CE} =2.5V->1.5V, V _{OUT} =0V	1.75	2.0	2.25	V
V _{UVLO2}	UVLO Release Voltage	V _{IN} =V _{CE} =1.5V->2.5V, V _{OUT} =0V		V _{UVLO1} +0.1	2.4	V
T _{SST}	Delay time by soft-start	V _{IN} =V _{SET} +1.5V, I _{OUT} =10mA, V _{CE} =0V->V _{SET} +1.5V	5	10	20	ms
T _{PROT}	Delay time by Protection	V _{IN} =V _{CE} =V _{SET} +1.5V, V _{OUT} =V _{SET} +1.5V->0V	5	15	30	ms

供应商：深圳市四海恒通科技有限公司 Tel: 0755-8398 3377 / 135 9011 2223 <http://www.gofotech.com>

▪ SIMPLIFIED BLOCK DIAGRAM

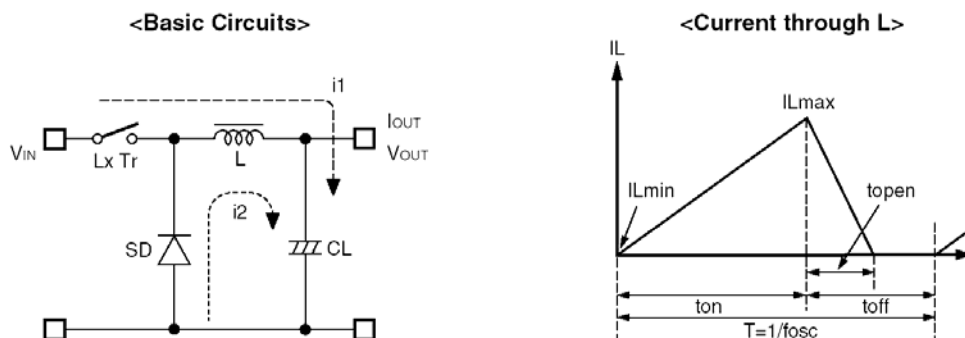


▪ OPERATION DESCRIPTION

The power stage of PWM step-down DC/DC converter can be seen as an input voltage chopping circuit followed by an L-C filter. Unlike the linear regulator which operates the power transistor in the linear mode, the PWM switching regulator operates the power transistor either in saturation or cutoff regions. Due to the voltage-ampere product of power transistor under these two operation modes keeps low, high efficiency can be easily achieved.

The DC input voltage is firstly chopped into square waves whose magnitude is the same as input voltage and whose duty cycle is manipulated by the switching regulator controller, hereby is PT1101. With the use of following appropriately chosen L-C filter, such square wave modulation could be eliminated and ripple free DC voltage equal to the average of the duty cycle modulated DC input voltage results. The regulated output voltage is maintained by the controller, which operates much like a linear style controller. That is, by sensing the DC output and controlling duty cycle in a negative-feedback loop, the DC output could be regulated against input line and output load changes.

The operation of step-down DC/DC converter can be understood by braking its operation into two period. When the switch is turned on, the input voltage is presented to the L-C filter, the inductor current (i_1) ramps linearly upward from I_{Lmin} to I_{Lmax} and stores energy in itself. When the switch is turned off, the input voltage to inductor flies below ground and the schottky diode becomes forward biased. This continues to conduct current (i_2) which is formerly flowing through switch and some of the stored energy is discharged to load. Therefore a local current loop including diode, inductor and load comes into being.



▪ APPLICATION INFORMATION

- ※ To avoid parasitic current into each pin, make sure voltage applied to CE pin should be no more than the voltage level of VIN pin.
- ※ The protection circuit may work if the term of maximum duty cycle continues for a certain time. As the result, V_{OUT} will be reset and settled by soft start operation until the maximum duty cycle condition is released. Be aware that if the differential voltage between VIN and VOUT is quite small, protection function may be trigged.
- ※ Use schottky diode for high switching speed application. Pay attention to its current capability.
- ※ Do not apply PT1101 to the condition with VIN is equal or less than minimum operation voltage.
- ※ If the ratio of output voltage against input voltage is 35% or less while heavily loaded, PT1101Ax keeps its VFM mode for low frequency operation. Therefore the output ripple voltage may be large. The phenomena are the typical characteristics of the PWM/VFM alternative circuit.
- ※ To adjust output voltage when using PT1101B, follow the equation shown below, in which V_{FB} is equal to 1V.

$$V_{OUT} = V_{FB} \times \frac{R2 + R4}{R2}$$

Thus, with changing the value of R2 and R4, output voltage can be set in the specified range.

- ※ To provide enough Phase Margin for stable operation, some critical components associated with local compensation network formed by R4 and C4 should be chosen correctly. Following procedure can help to find the suitable value of R and C.

Firstly, find the double pole caused by L and C3.

$$f_{POLE} = \frac{1}{2\pi\sqrt{L \cdot C3}}$$

Next, place a zero formed by R4 and C4 as much as f_{POLE} .

$$f_{ZERO} = \frac{1}{2\pi\sqrt{R4 \cdot C4}}$$

Finally, choose R3 about one tenth of R4 for noise attenuation on feedback path.

For example, if L=27μH, C3=47μF, the cut off frequency of the pole is approximately 4.5kHz. Choose R4=33kΩ and C4=1000pF to meet with compensation requirement. If V_{OUT} is set to 2.5V, R2=22kΩ is appropriate. R3 can be set to one tenth of R4, that is, 3 kΩ.

▪ EXTERNAL COMPONENT SELECTION GUIDE

※ Inductor

Select an inductor that peak current does not exceed IL_{max}.

For constant load current, the smaller inductor value, the larger output ripple voltage.

※ Diode

Use a diode with low VF (Schottky diode is recommended) and high switching frequency. Reverse voltage rating should be more than VIN and current rating should be larger than IL_{max}.

※ Capacitors

As for VIN, use a 10μF capacitor with low ESR for stable operation.

C_{OUT} can reduce output ripple voltage, therefore a 47μF or more tantalum type capacitor is recommended.

※ Power Transistor

Pch power MOSFET is required for PT1101.

Its breakdown voltage between gate and source should be a few higher than VIN.

供应商：深圳市四海恒通科技有限公司 Tel: 0755-8398 3377 / 135 9011 2223 <http://www.gofotech.com>

If heavily loaded, choose MOSFET with low RDS(on) for good efficiency.

If lightly loaded, choose MOSFET with low gate capacitance for good efficiency.

Current rating of power MOSFET should be larger than ILmax.

■ TYPICAL PERFORMANCE CHARACTERISTICS

Note: Typical characteristics are obtained with using the following components:

PMOS: IRF7406 (IR)

L: CR105-270MC (Sumida, 27 μ H)

SD1: SS24

C1: 10 μ F, Ceramic Type

C2: 0.1 μ F, Ceramic Type

C3: 47 μ F, Tantalum Type

C4: 1000pF, Ceramic Type

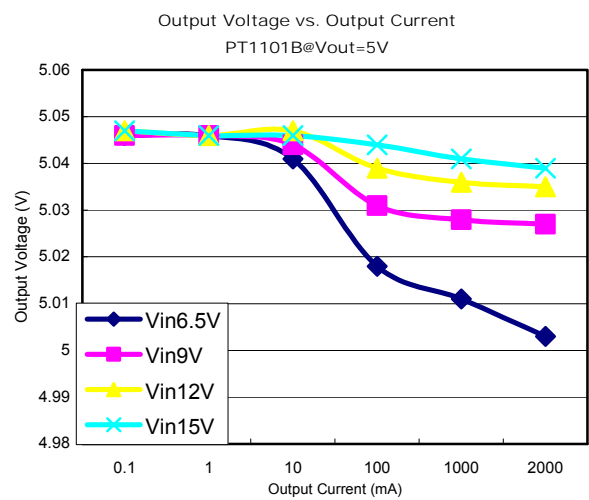
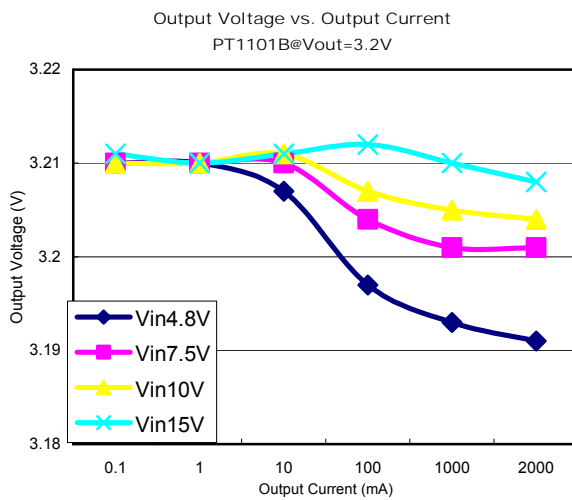
R1: 10 Ω

R2: 10k Ω

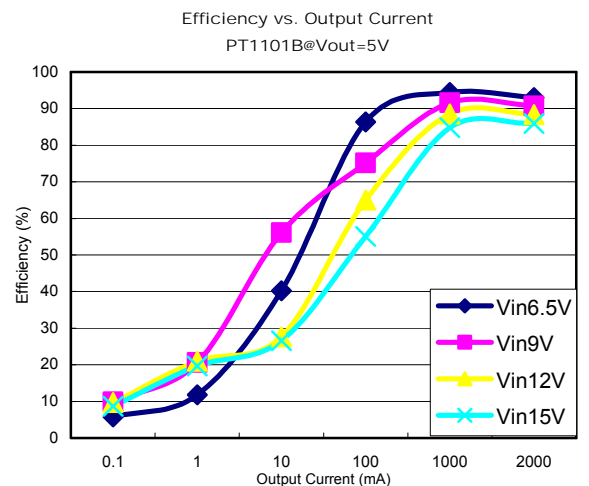
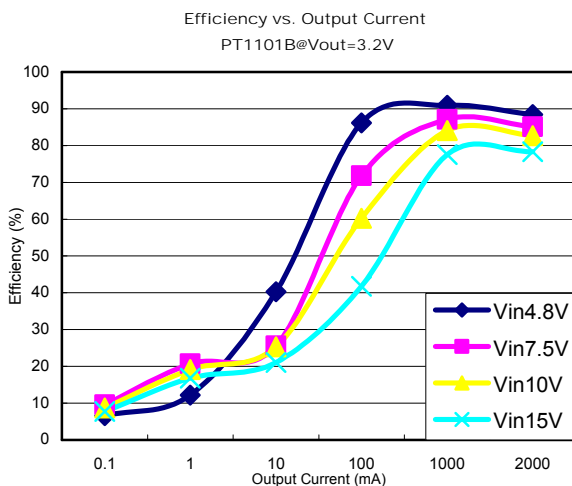
R3: 2.7 k Ω

R4: 22 k Ω

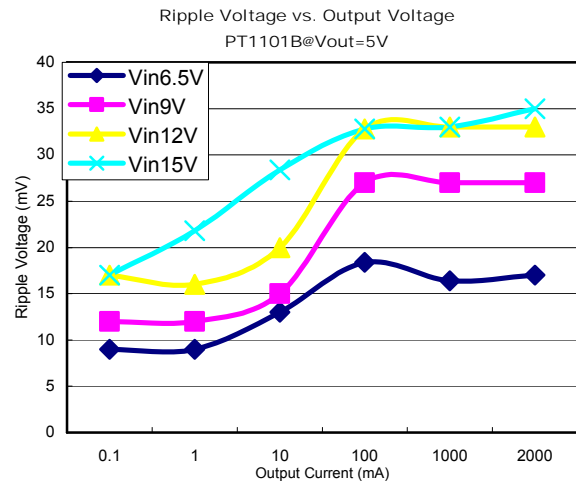
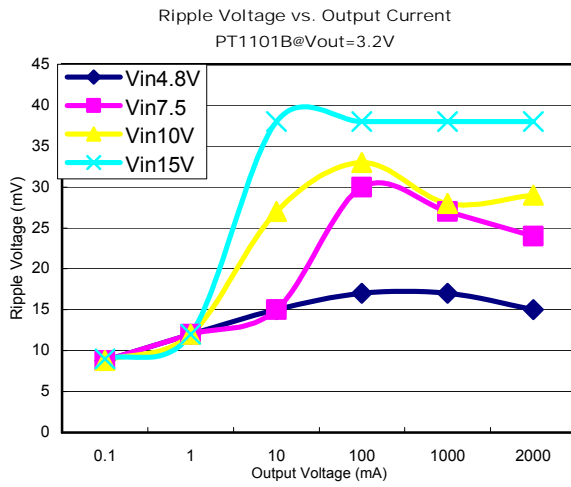
1. Output Voltage vs. Output Current



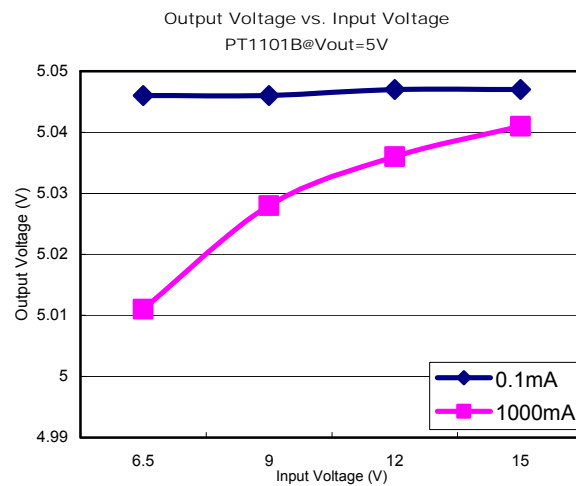
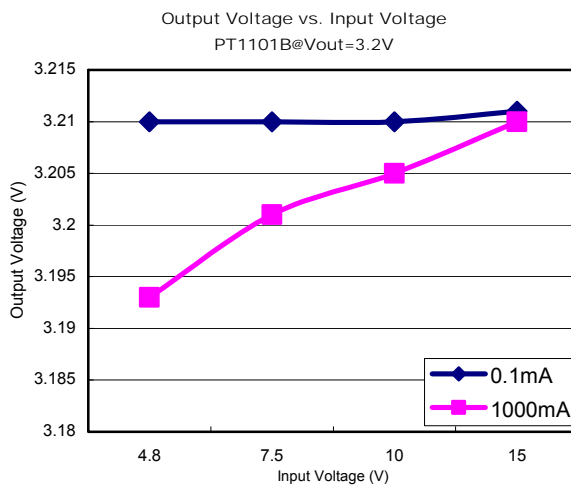
2. Efficiency vs. Output Current



3. Ripple Voltage vs. Output Current

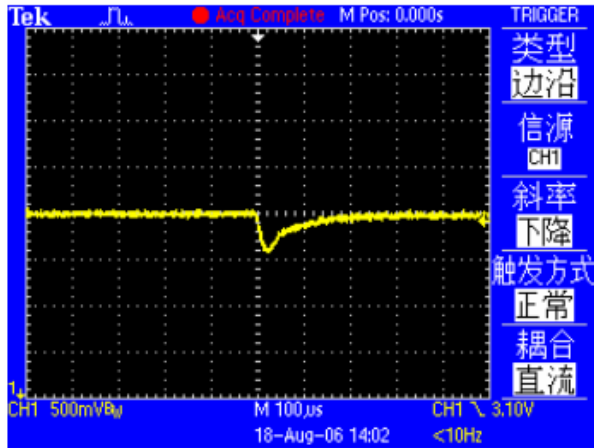


4. Output Voltage vs. Input Voltage

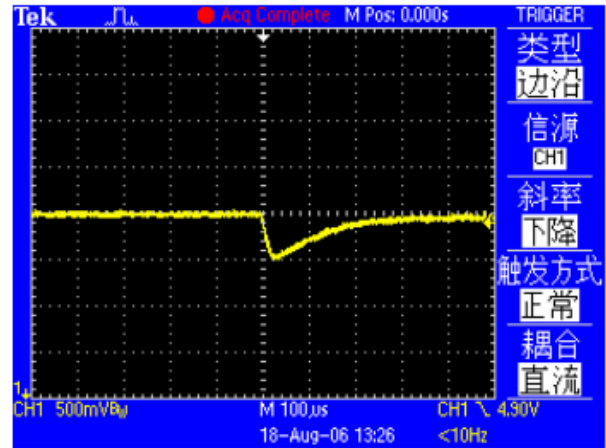


5. Load Transient Response

(1) $I_{LOAD}=0A \rightarrow 1A$

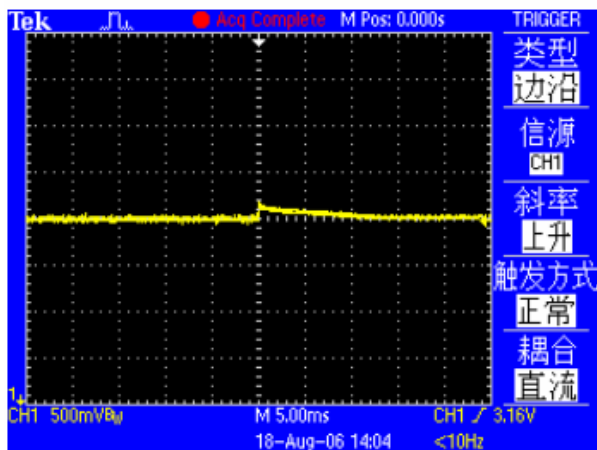


Vin=4.8V, Vout=3.2V, L=27µH, C=47µF

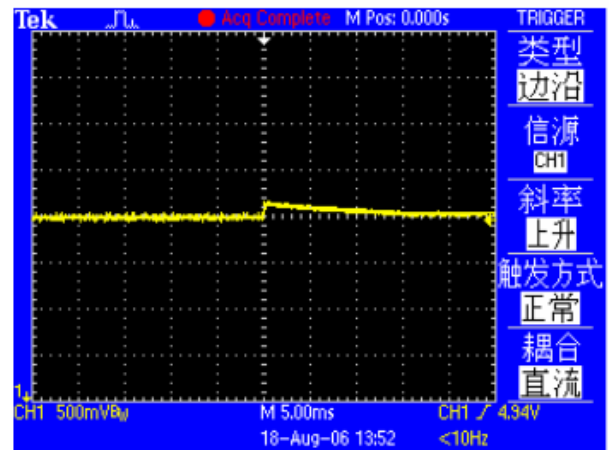


Vin=6.5V, Vout=5V, L=27µH, C=47µF

(2) $I_{LOAD}=1A \rightarrow 0A$



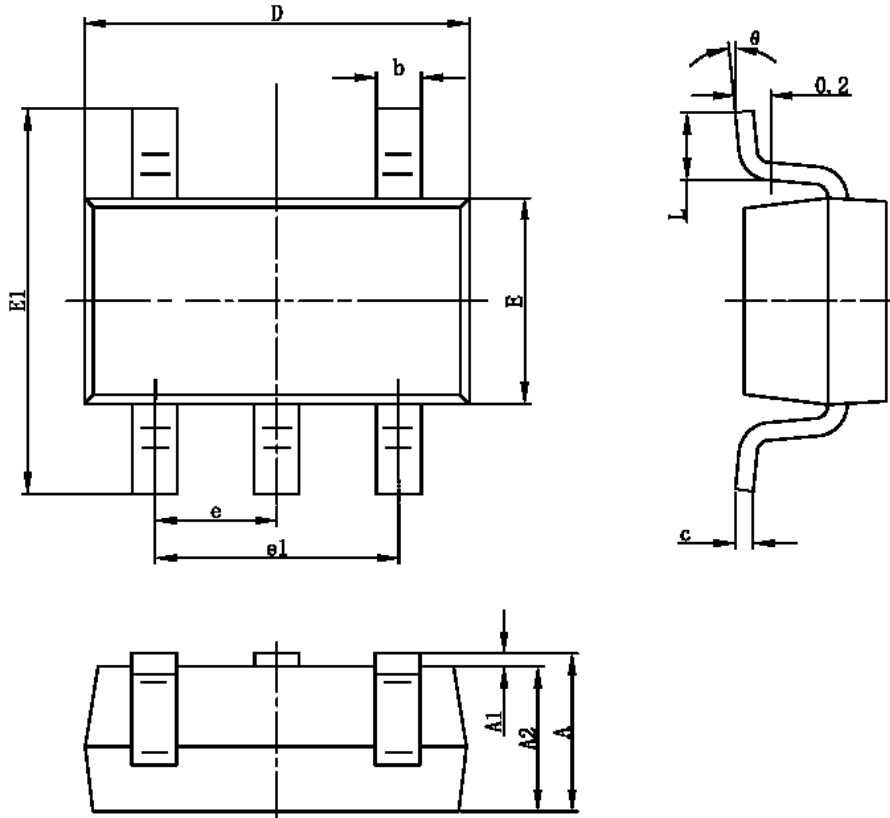
Vin=4.8V, Vout=3.2V, L=27µH, C=47µF



Vin=6.5V, Vout=5V, L=27µH, C=47µF

▪ PACKAGE INFORMATION

SOT-23-5L PACKAGE OUTLINE DIMENSIONS



Symbol	Dimensions In Millimeters		Dimensions In Inches	
	Min	Max	Min	Max
A	1.050	1.250	0.041	0.049
A1	0.000	0.100	0.000	0.004
A2	1.050	1.150	0.041	0.045
b	0.300	0.500	0.012	0.020
c	0.100	0.200	0.004	0.008
D	2.820	3.020	0.111	0.119
E	1.500	1.700	0.059	0.067
E1	2.650	2.950	0.104	0.116
e	0.950(BSC)		0.037(BSC)	
e1	1.800	2.000	0.071	0.079
L	0.300	0.600	0.012	0.024
θ	0°	8°	0°	8°