

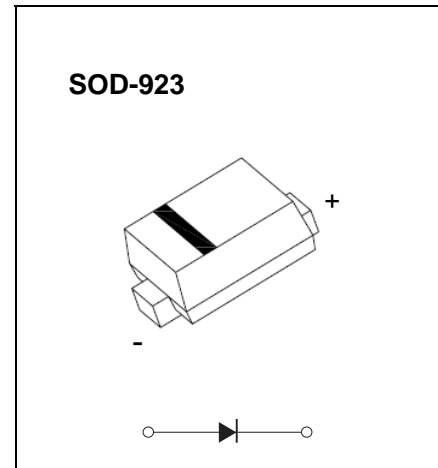
SOD-923 Plastic-Encapsulate Diodes

RB520CS-30 Schottky barrier diode

FEATURES

- Low reverse current and low forward voltage
- High reliability

MARKING: E



Maximum Ratings (Ta=25°C)

Parameter	Symbol	Limit	Unit
DC reverse voltage	V_R	30	V
Mean rectifying current	I_O	100	mA
Peak forward surge current	I_{FSM}	0.5	A
Power dissipation	P_D	100	mW
Thermal Resistance Junction to Ambient	$R_{\theta JA}$	1000	°C/W
Junction temperature	T_j	125	°C
Storage temperature	T_{stg}	-55~+150	°C

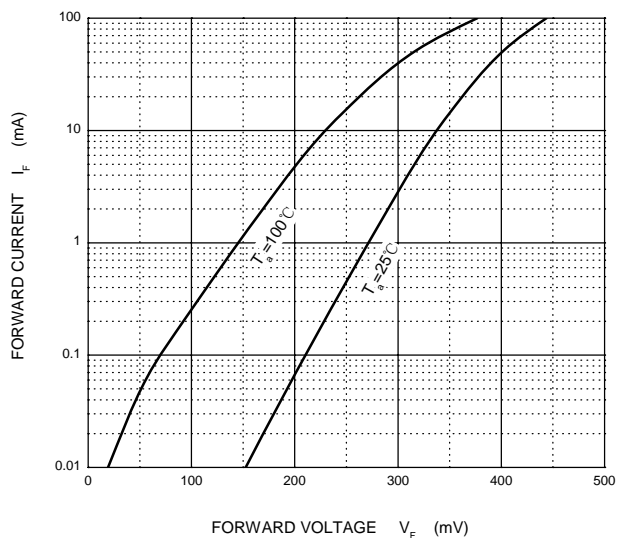
Electrical characteristic (Ta=25°C)

Parameter	Symbol	Min	Typ	Max	Unit	Conditions
Forward voltage	V_{F1}			0.45	V	$I_{F1}=10\text{mA}$
	V_{F2}			0.6		$I_{F2}=100\text{mA}$
Reverse current	I_R			0.5	μA	$V_R=10\text{V}$

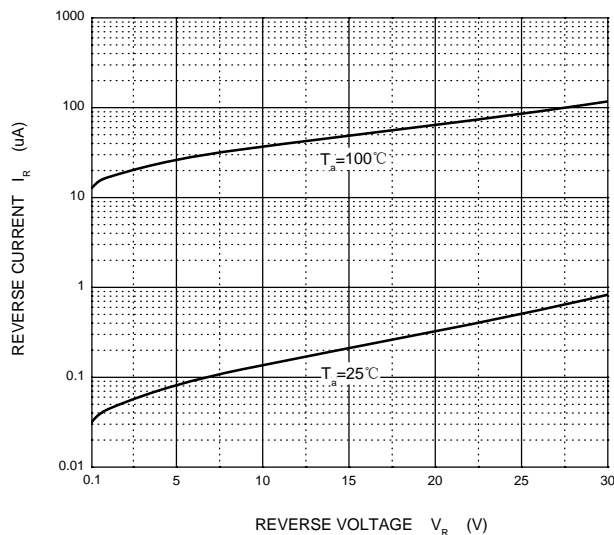


RB520CS-30

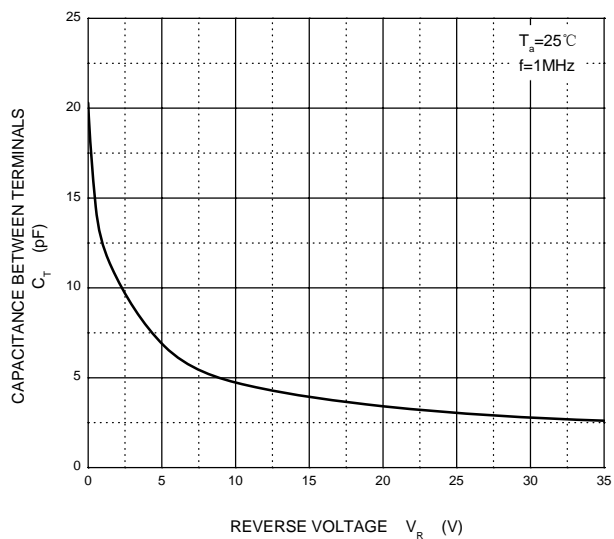
Forward Characteristics



Reverse Characteristics



Capacitance Characteristics



Power Derating Curve

