

Preliminary

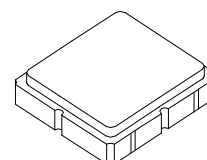


- **Low Insertion Loss**
- **3.8 X 3.8 X 1.0 mm Surface Mount Case**
- **Differential Input and Output**
- **Complies with Directive 2002/95/EC (RoHS)**



SF2116D

**481.25 MHz
SAW Filter**



SM3838-6

Absolute Maximum Ratings

Rating	Value	Units
Maximum Incident Power in Passband	+28	dBm
Max. DC voltage between any 2 Terminals	30	VDC
Storage Temperature Range	-40 to +85	°C
Suitable for lead-free soldering - Max. Soldering Profile	260°C for 30 s	

Characteristic		Notes	Typ	Units
	f_o	1		MHz
			50	
Load Impedance (single ended)				Ω
500 kHz to 350 MHz			35	
350 MHz to 450 MHz			29	
		40		
493.5 MHz to 507.5 MHz			40	
		27		
1200 MHz to 2000 MHz			35	
			1.4	dB
			0.5	dB
			1.3:1	
Output VSWR in 479 MHz -483.5 MHz				1.6:1
			-32	
Operating Temperature				+85

Case Style	
Lid Symbolization (Y=year, WW=week, S=shift) dot=pin 1 indicator	
Standard Reel Quantity	Reel Size 7 Inch
	Reel Size 13 Inch

Notes:

- temperature range with filter soldered to the specified demonstration board with impedance matching to 50 Ω and measured with 50 net-
- the nominal center frequency, f_c .
Rejection is measured as attenuation below the minimum IL point in PCB layout and external impedance matching design. See Applica-
- are subject to change.

Either Port 1 or Port 2 may be used for either input or output in the between Port 1 and Port 2, so that the filter must always be installed

-
-
-
-
-
-
-

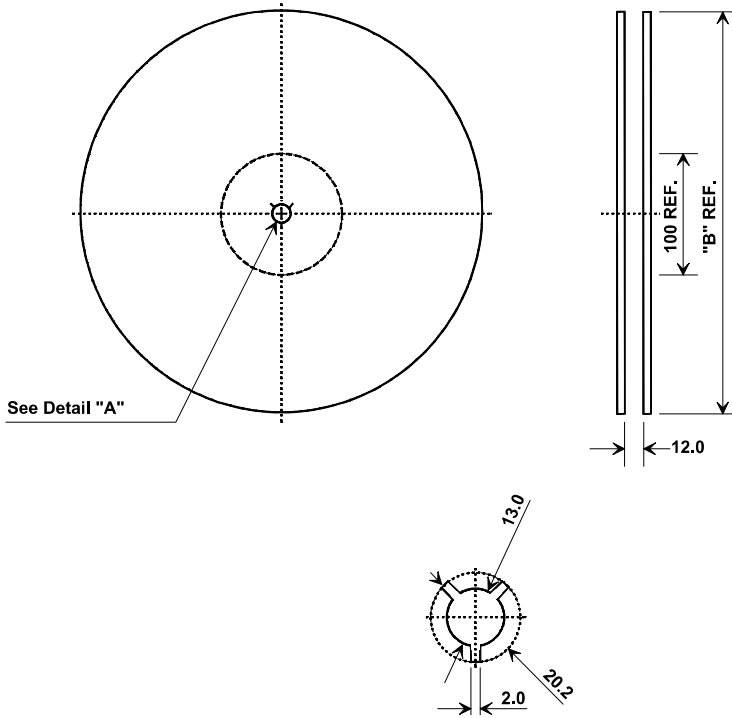
trademarks of RF Monolithics, Inc.
©Copyright 1999, RF Monolithics Inc.
Electrostatic Sensitive Device. Observe precautions for handling.



481.25 MHz

SAW Filter

Tape and Reel Specifications



Nominal Size		
Inches	millimeters	
7	178	1000
13	330	3000

COMPONENT ORIENTATION and DIMENSIONS

Carrier Tape Dimensions	
Ao	4.25 mm
Bo	4.25 mm
Ko	1.30 mm
Pitch	8.0 mm
W	12.0 mm

