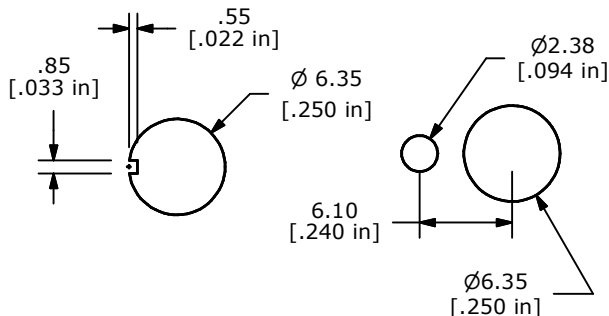
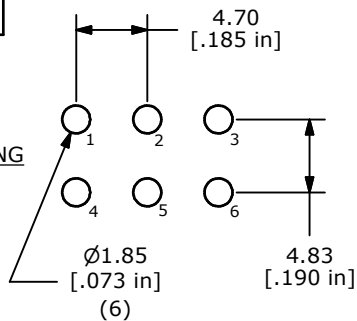


P.C. MOUNTING



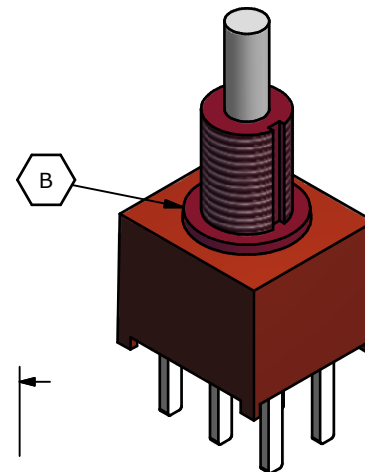
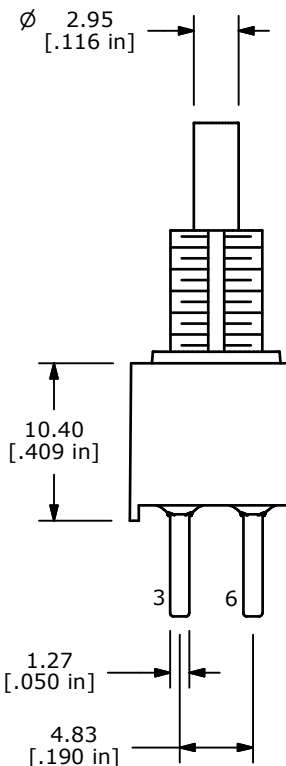
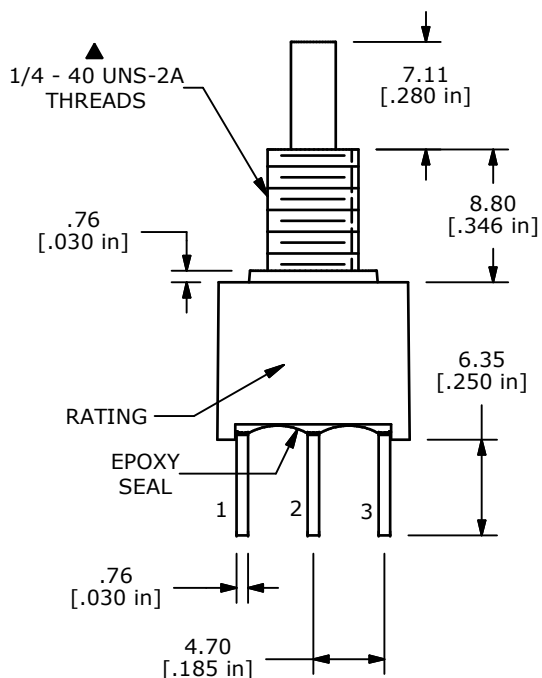
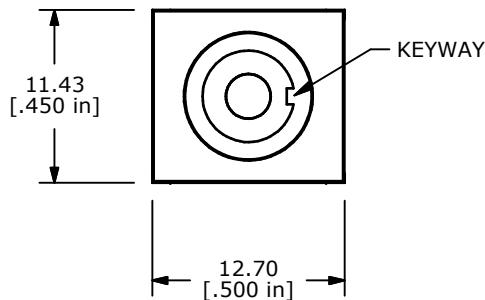
Without Locking Ring

PANEL MOUNTING

With Standard Locking Ring

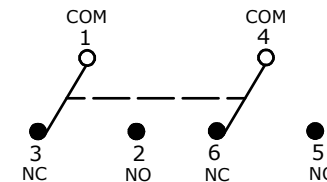
NOTE:

1. ALL DIMENSIONS IN MM [INCH]
2. GENERAL TOLERANCE: X.X=±0.4
X.XX=±0.25
3. TERMINAL NUMBERS FOR REF ONLY
- ▲ 4. PLATING MATERIAL: SILVER
5. CONTACT RESISTANCE: 20 MILLI-OHMS MAX.
6. RATING: 1A @250VAC, 3A @ 120VAC (or 28VDC)
7. LIFE EXPECTANCY: 50,000 make-and-break cycles at full load.
8. INSULATION RESISTANCE: 1,000 Mega-ohm min.
9. DIELECTRIC STRENGTH: 1,500 V RMS @sea level.
10. SEAL RATING: IP-67
11. OPERATING TEMP.: -30°C to 75°C
12. ▲ DENOTES CRITICAL PARAMETER.
13. 2002/95/EC (ROHS) COMPLIANT.
14. HARDWARE TO BE SHIPPED BULK
T100000 - HEXNUT - QTY 2
T100011 - LOCKWASHER - QTY 1
T100015 - LOCKRING - QTY 1



SWITCH FUNCTION	
POS. 1	POS. 2
ON	(ON)
1-3, 4-6	1-2, 4-5

(ON) = MOMENTARY



B	21591	BUSHING BASE WAS OVAL, NOW ROUND	9/23/14	EBP
A	18384	RELEASED FOR PRODUCTION	1/23/09	BLR
REV	PCR NO	DESCRIPTION	DATE	BY

TITLE 700ADP7B10M2QEH				
SCALE 2:1	DATE 1/23/2009	DR BLR	DWG ST750105	REV B

THE INFORMATION CONTAINED IN THIS DOCUMENT IS PROPRIETARY TO E-SWITCH AND IS NOT TO BE COPIED OR TRANSFERRED